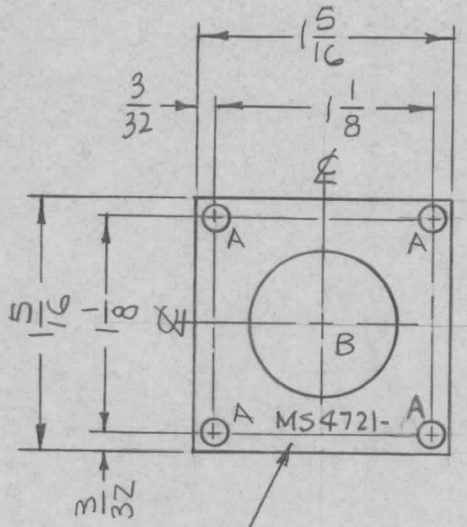


REQ. PER UNIT	USED ON			MS4721	Ø
	MODEL	ASS'Y. NO.	DATE		
1	TST-10K		8-2-65		



HOLES:
 A ~ 1/8 DIA. (4 REQ.)
 B ~ 3/4 DIA. (1 REQ.)

MARK
 TMC PART NO.
 1/8 HIGH GOTHIC
 W/LATEST REV.
 LETTER.

REQ.	ITEM	PART NO.	F. BUDETTI DESCRIPTION				SYMBOL
Ø		.064 THICK	THE TECHNICAL MATERIEL CORP.				
		STOCK SIZE	MAMARONECK, NEW YORK				
X1	ORIGINAL RELEASE	ALUMINUM	PLATE, COAXIAL CABLE				
	PER UNIT WAS, 2 REQ.						
SYM	DESCRIPTION	DATE	CH. NO.	DRAFTS	CHECKER	ENG. APP.	
	UNLESS OTHERWISE SPECIFIED DIMENSIONS ARE IN INCHES AND INCLUDE CHEMICALLY APPLIED OR PLATED FINISHES	SCALE	1:1				
	DECIMALS .X ± .05 .XX ± .01 .XXX ± .005	TOLERANCES	FRACTIONS ± 1/64 ANGLES ± 0° 30'	CODE	A		
		5052-H32					
		TYPE & TEMPER	HEAT TREAT. SPEC.	DRAWN	CHECKED	FINAL APPROVAL	
		S404 YEL. IRIDITE					
		FINISH & SPEC. NO.	ELEC. DES. APP.	MECH. DES. APP.			
							MS4721 Ø