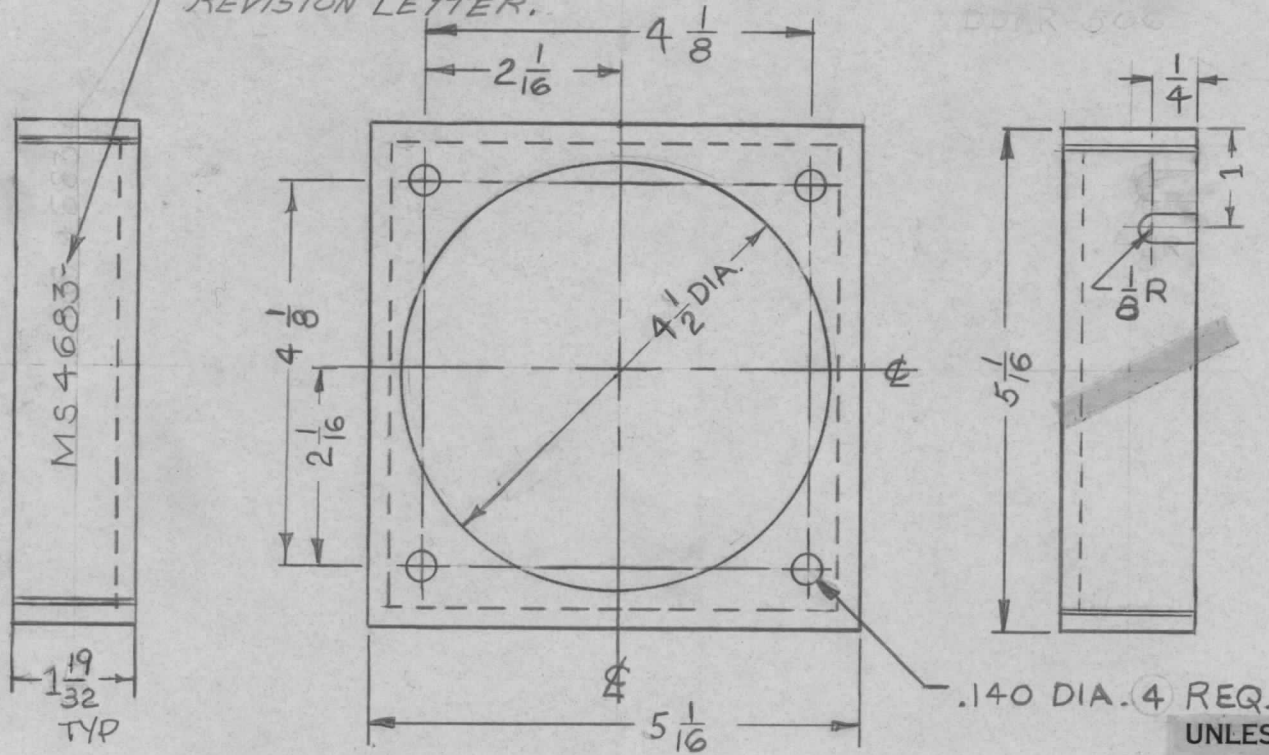


REQ. PER UNIT 2	USED ON			MS4683	Ø
	MODEL DDRR-506	ASS'Y. NO.	DATE JULY 15, 65		

METAL STAMP TMC PART No. 48 HIGH  
GOTHIC AS SHOWN WITH LATEST  
REVISION LETTER.



- UNLESS OTHERWISE SPECIFIED:
1. USE MATERIAL THICKNESS FOR MAXIMUM RADIUS ON ALL BENDS
  2. ALL ANGULAR BENDS 90 DEGREES
  3. REMOVE ALL BURRS AND SHARP EDGES

							REQ. ITEM	PART NO.	STURMER	DESCRIPTION	SYMBOL	
								.051		THE TECHNICAL MATERIEL CORP. MAMARONECK, NEW YORK	CHASSIS, BLOWER MTG.	Ø
								ALUMINUM				
							DATE	CH. NO.	DRAFTS	CHECKER	ENG. APP.	
							8-3-65	#	E			
							SCALE					
							1:2					
							TYPE & TEMPER	HEAT TREAT. SPEC.	DRAWN	CHECKED	FINAL APPROVAL	
							5052 H32		D.VENEZIAN	JCB	8/3/65	
							FINISH & SPEC. NO.	ELEC. DES. APP.	MECH. DES. APP.			
							S404 YELLOW IRIDITE	7-16-65			MS4683	Ø