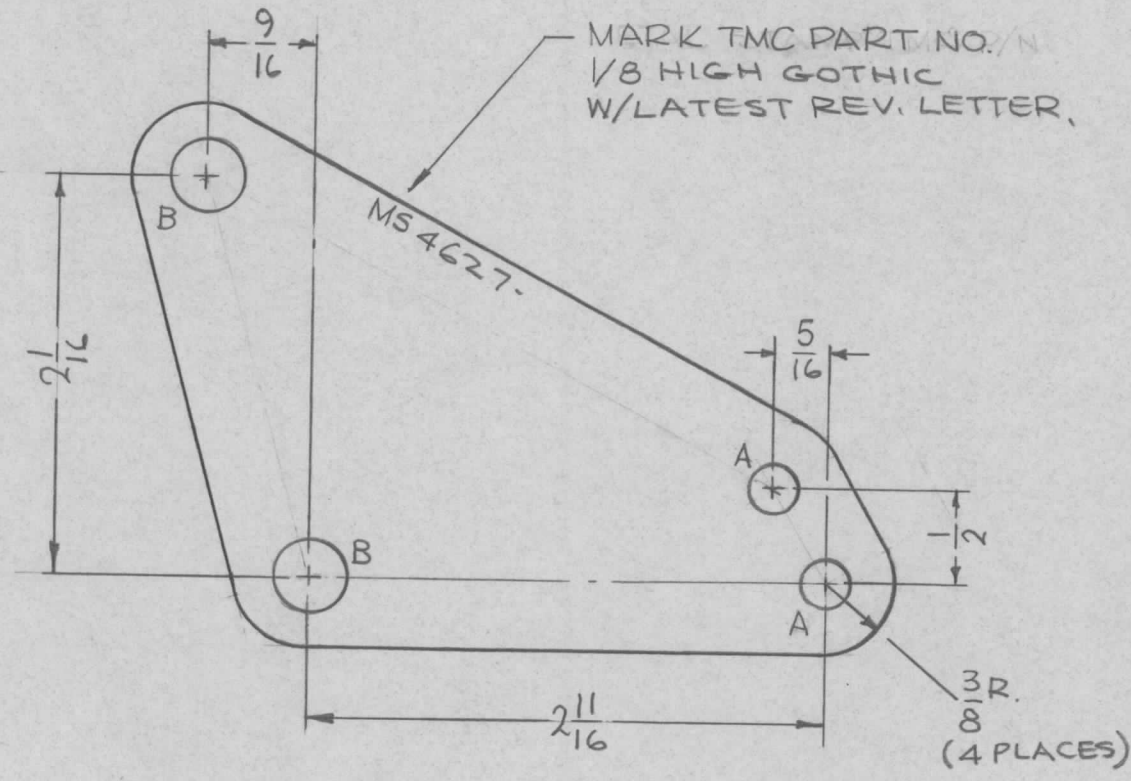


REQ. PER UNIT	USED ON			MS4627 \emptyset
	MODEL	ASS'Y. NO.	DATE	
1	TST-10K		6-14-65	



							REQ. ITEM	PART NO.	F. BUDETTI DESCRIPTION			SYMBOL
							.051 THICK		THE TECHNICAL MATERIEL CORP.			
							STOCK SIZE		MAMARONECK, NEW YORK			
							COPPER		PLATE, CONTACT ELECT.			
							MATERIAL					
							HOT ROLLED					
							TYPE & TEMPER					
							HEAT TREAT. SPEC.					
UNLESS OTHERWISE SPECIFIED DIMENSIONS ARE IN INCHES AND INCLUDE CHEMICALLY APPLIED OR PLATED FINISHES							SCALE					
							1:1					
DECIMALS .X ± .05 .XX ± .01 .XXX ± .005							FRACTIONS ± 1/64 ANGLES ± 0° 30'					
TOLERANCES							CODE					
							A					
							S245 SILVER PLATE					
							FINISH & SPEC. NO.					
							ELEC. DES. APP.					
							MECH. DES. APP.		MS4627 \emptyset			