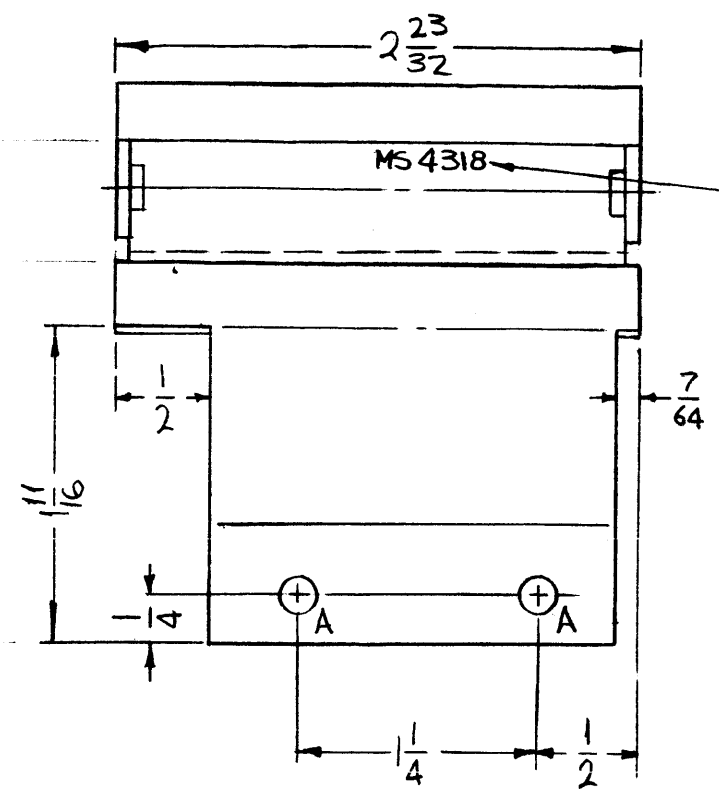
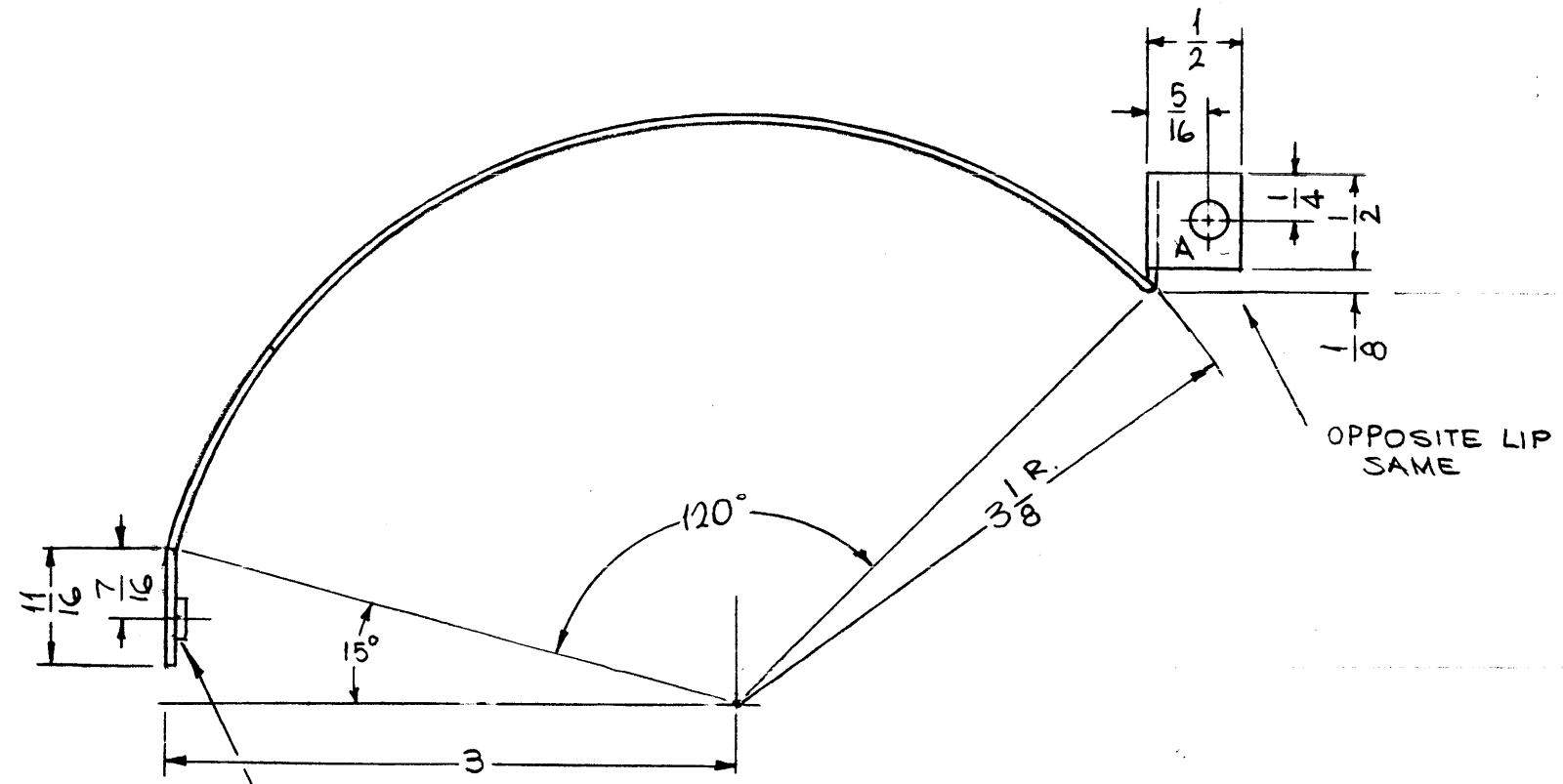


REVISIONS						
SYM	DESCRIPTION	DATE	F.M.N. NO.	DRAFT	CHKD	APPD
X	EXP. RELEASE	1-7-65	X	SRG		
X1	PICTORIAL REVISED	1-14-65	X1	SRG		
Ø	ORIGINAL RELEASE FOR PRODUCTION	6.7.66	Ø	LHW		LHW



MARK TMC PART NO.
1/8 HIGH GOTHIC W/LATEST
REV. LETTER.

① MOUNT IN ALL
A HOLES

HOLES:
A ~ .191 -.194 DIA. — 4 REQ.

4	1	NT 129-632-4	NUT, PLAIN, SPLINE	A
REQ'D.	ITEM	PART NUMBER	DESCRIPTION	SYMBOL

F. BUDETTI		LIST OF MATERIAL	
MATERIAL .064 THICK ALUMINUM 5052-H32		THE TECHNICAL MATERIEL CORP. MAMARONECK, NEW YORK	
FINISH S404 YELLOW IRIDITE		TITLE BAFFLE, AIR	
UNLESS OTHERWISE SPECIFIED DIMENSIONS ARE IN INCHES AND INCLUDE CHEMICALLY APPLIED OR PLATED FINISHES		DRAWN SRG	DATE 1-7-65
DECIMALS .X ± .05 .XX ± .01 .XXX ± .005		CHECKED SRG	DATE
FRACTIONS ± 1/64 ANGLES ± 0° 30'		ELECT. DES. SRG	DATE
TOLERANCES		MECH. DES. LHW	DATE
THE CONTENTS OF THIS DRAWING ARE THE EXCLUSIVE PROPERTY OF THE TECHNICAL MATERIEL CORP. ITS UNAUTHORIZED USE OR REPRODUCTION IN WHOLE OR IN PART IS STRICTLY FORBIDDEN.		FINAL APPROVAL MS4318	
NOTES		SHEET	
		REV. LTR.	

1	RFTA-1	
Q'TY./UNIT	MODEL USED ON	ASS'Y. NO.
SCALE 1:1	CODE A	