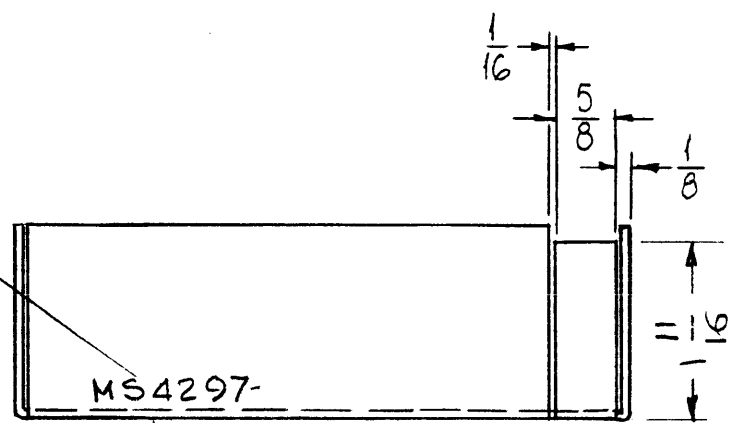
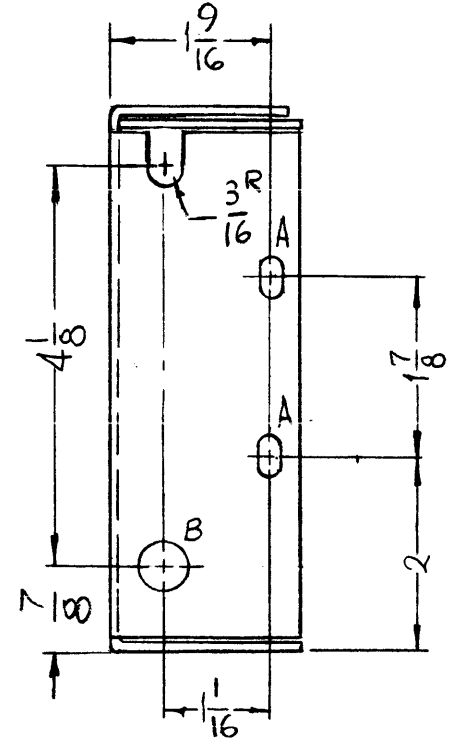
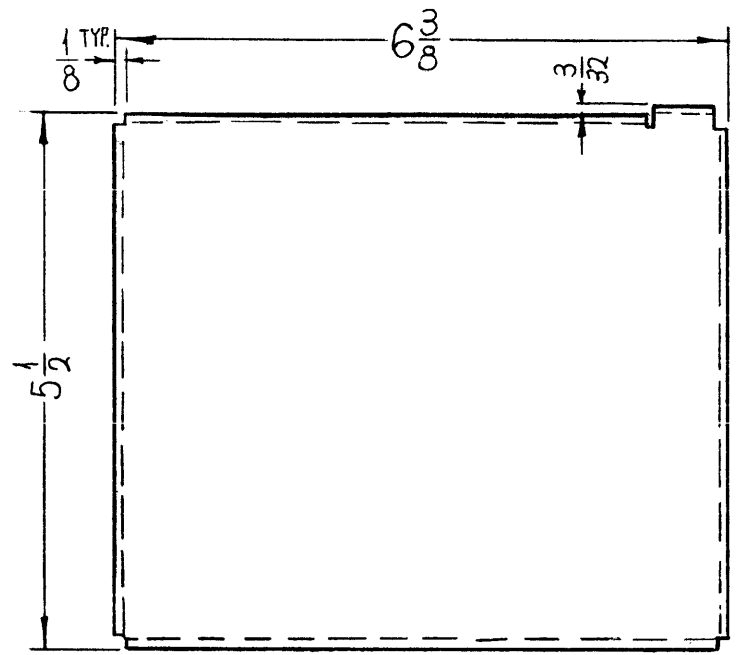
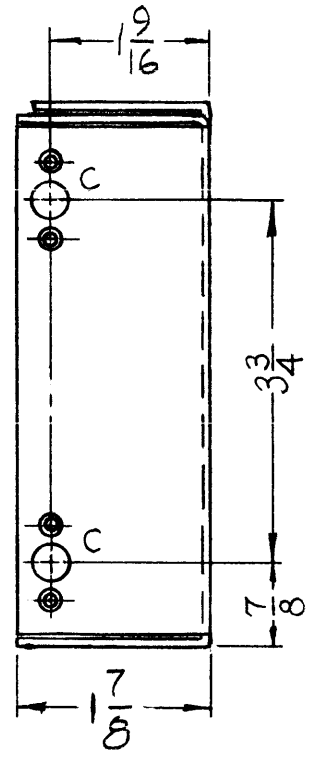


METAL STAMP TMC P/No
1/8 HIGH GOTHIC WITH
LATEST REV. LETTER

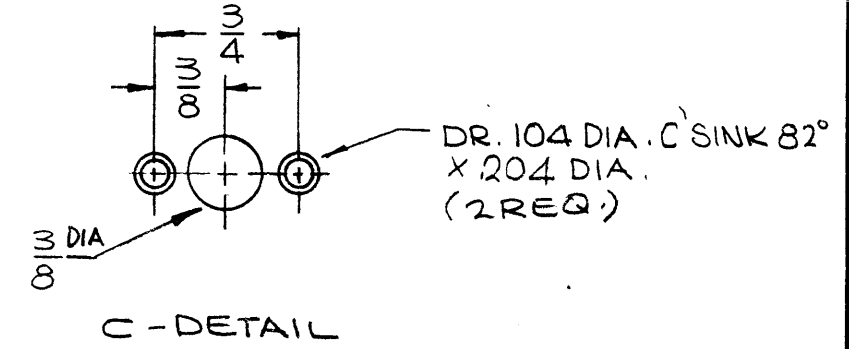
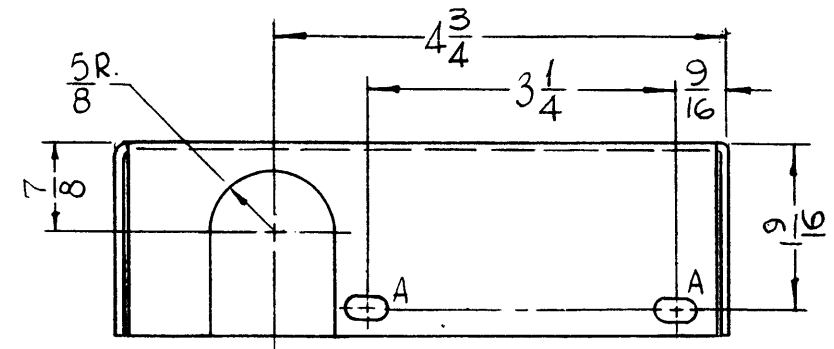


MS4297

REVISIONS					
SYM	DESCRIPTION	DATE	E.M.N. NO.	DRAFT	CHKD APPD
X1	1/8" HOLE DELETED - DIMS 1-7/8 WAS 2 - DIM: 1-9/16 WAS 1 11/16 - DIM 1 1/16 WA 1-1/8 - DIM 7/8 & 1 1/16 ADDED	6-22-65	X1	G.D.L	
X2	NOTES ADDED	7-7-65	X2	GDL	<i>MC</i>
Ø	ORIGINAL RELEASE FOR PRODUCTION	4-26-67	Ø	CV	<i>HQ</i>



HOLES	DESCRIPTION	REQ.
A	13/64 X 13/32 SLOT	4
B	1/2 DIA.	1
C	SEE DETAIL	2



- UNLESS OTHERWISE SPECIFIED:
- USE MATERIAL THICKNESS FOR MAXIMUM RADIUS ON ALL BENDS
 - ALL ANGULAR BENDS 90 DEGREES
 - REMOVE ALL BURRS AND SHARP EDGES

NOTES

1	TSTC 110K	
Q'TY./UNIT	MODEL USED ON	ASS'Y. NO.
SCALE	CODE	
1/2 1	A	
THE CONTENTS OF THIS DRAWING ARE THE EXCLUSIVE PROPERTY OF THE TECHNICAL MATERIEL CORP. ITS UNAUTHORIZED USE OR REPRODUCTION IN WHOLE OR IN PART IS STRICTLY FORBIDDEN.		

REQ'D.	ITEM	PART NUMBER	DESCRIPTION	SYMBOL
F. BUDETTI LIST OF MATERIAL				
MATERIAL		THE TECHNICAL MATERIEL CORP. MAMARONECK, NEW YORK		
FINISH		TITLE		
S404 YEL. IRIDITE		BRACKET, SUPPORT, RIGHT SIDE		
UNLESS OTHERWISE SPECIFIED DIMENSIONS ARE IN INCHES AND INCLUDE CHEMICALLY APPLIED OR PLATED FINISHES		DRAWN	DATE	FINAL APPROVAL
		<i>SRG</i>	5-17-65	<i>SRG</i>
		CHECKED	DATE	
		ELECT. DES.	DATE	
		<i>SRG</i>		
		MECH. DES.	DATE	
		<i>MC</i>	4/26/67	
SHEET				REV. LTR.
MS4297				Ø