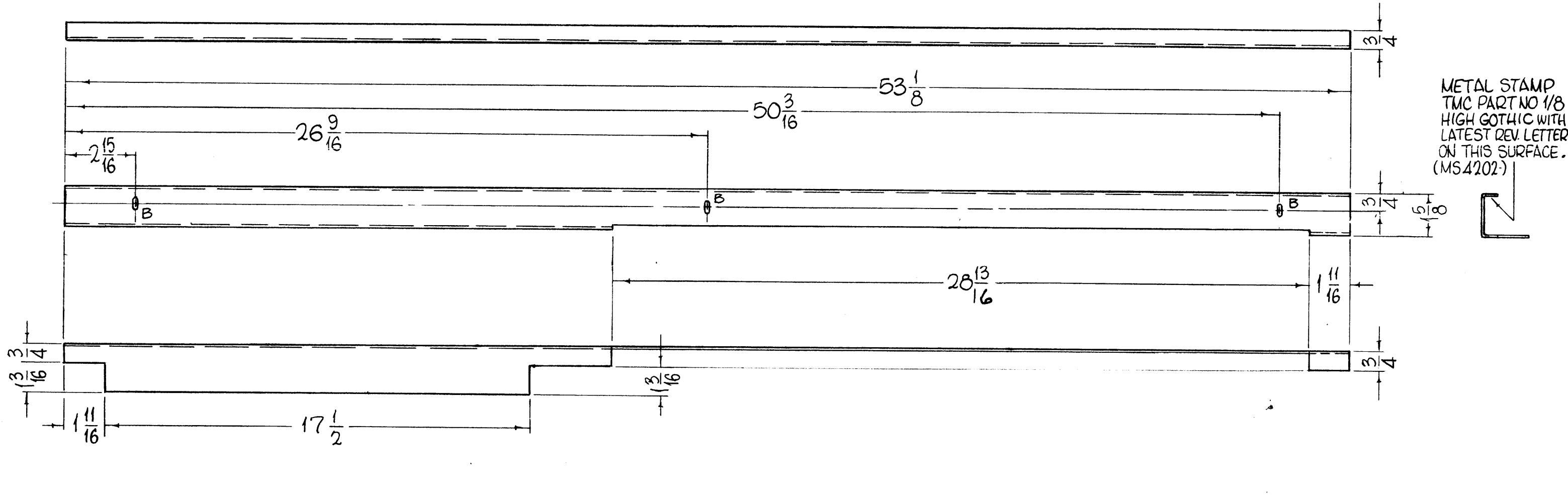


HOLES REQ.  
 B- 3/16 X 1/4 OVAL SLOTS 3

MS4202

REVISIONS						
SYM	DESCRIPTION	DATE	E.M.N. NO.	DRAFT	CHKD	APPD
X.	3 "A"-HOLES DELETED (1/4 DIA.)	2.5.65	X.	JB		
Ø	ORIGINAL RELEASE FOR PRODUCTION	4-29-66	Ø	WFO		JLO



NOTES		
THE CONTENTS OF THIS DRAWING ARE THE EXCLUSIVE PROPERTY OF THE TECHNICAL MATERIEL CORP. ITS UNAUTHORIZED USE OR REPRODUCTION IN WHOLE OR IN PART IS STRICTLY FORBIDDEN.		

REQ'D.	ITEM	PART NUMBER	DESCRIPTION	SYMBOL
	BUDETTI		LIST OF MATERIAL	
MATERIAL # 20 GAUGE, STEEL			THE TECHNICAL MATERIEL CORP. MAMARONECK, NEW YORK	
FINISH S371-STEEL DEGREASE S114-ZINC CHROM. PRIMER S520-BLUE TEX. VINYL PAINT			TITLE TRIM, TOP	
Q'TY./UNIT 1		MODEL USED ON GPT10KLF	ASS'Y. NO. AX 227	
SCALE		CODE		
UNLESS OTHERWISE SPECIFIED DIMENSIONS ARE IN INCHES AND INCLUDE CHEMICALLY APPLIED OR PLATED FINISHES			DRAWN John C Biele DATE 1-20-65	
DECIMALS .X ± .05 .XX ± .01 .XXX ± .005			CHECKED JB DATE 6-24-65	
FRACTIONS ± 1/64 ANGLES ± 0° 30'			ELECT. DES. JA DATE	
TOLERANCES			MECH. DES. DATE	
			FINAL APPROVAL MS4202 DATE 4/29/66	
			SHEET	
			REV. LTR. Ø	
			M/LA. KLEIN 5/2/66	