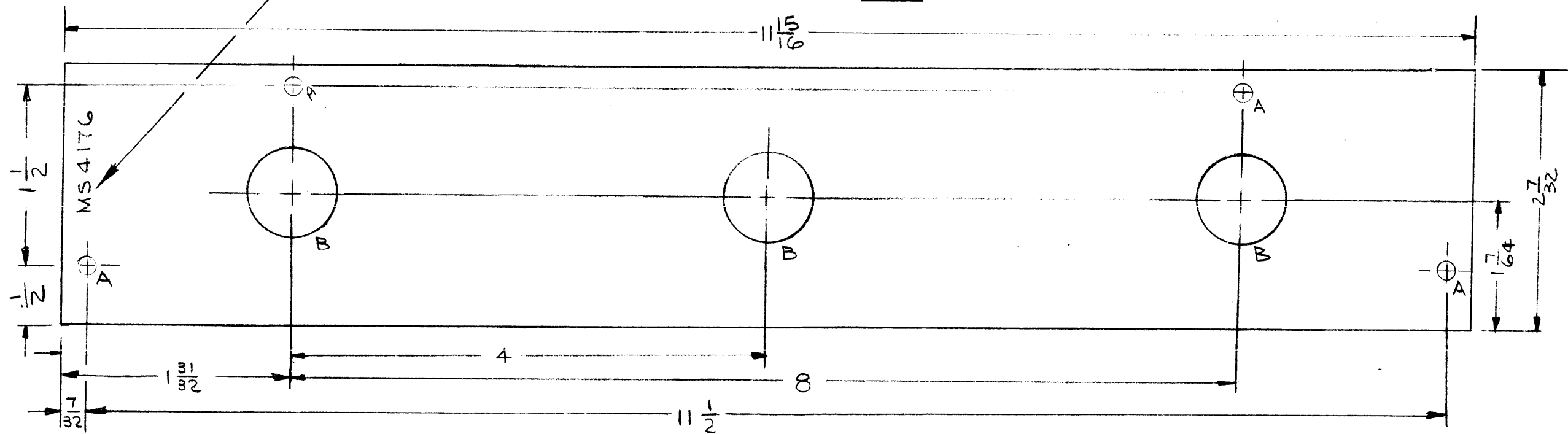


MS4176 A

REVISIONS

SYM	DESCRIPTION	DATE	E.M.N. NO.	DRAFT	CHKD	APPD
Ø	ORIGINAL RELEASE FOR PRODUCTION	10/25/65				
A	CLERICAL CHANGE	10/15/65	CC			

METAL STAMP TMC PT. NO. 1/8 HIGH  
W/LATEST REV. LETTER.



A = #27 DRILL (.144) 4 REQ  
B = 3/4 DIA. 3 REQ

REQ'D.	ITEM	PART NUMBER	DESCRIPTION	SYMBOL
LIST OF MATERIAL				
MATERIAL .064 THK ALUMINUM 5052-H32			THE TECHNICAL MATERIEL CORP. MAMARONECK, NEW YORK	
FINISH YELLOW IRIDITE PER S404				
UNLESS OTHERWISE SPECIFIED DIMENSIONS ARE IN INCHES AND INCLUDE CHEMICALLY APPLIED OR PLATED FINISHES			DRAWN CANZA	DATE 9-21-64
TOLERANCES .X ± .05 .XX ± .01 .XXX ± .005			CHECKED J.L.	DATE 9/28/65
			ELECT. DES.	DATE
THE CONTENTS OF THIS DRAWING ARE THE EXCLUSIVE PROPERTY OF THE TECHNICAL MATERIEL CORP. ITS UNAUTHORIZED USE OR REPRODUCTION IN WHOLE OR IN PART IS STRICTLY FORBIDDEN.			MECH. DES.	DATE
			SHEET	REV. LTR.

2	TPCK-1	A4205
Q'TY./UNIT	MODEL USED ON	ASS'Y. NO.
SCALE	CODE	

NOTES