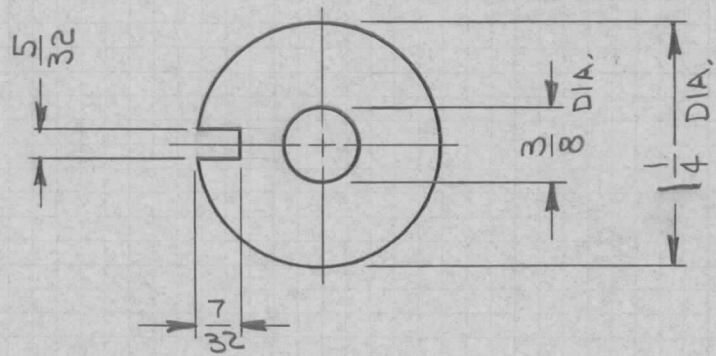


REQ. PER UNIT	USED ON			MS4142 Ø
	MODEL	ASS'Y. NO.	DATE	
1	PFCB-1		11-12-64	



NOTE:
REMOVE BURRS & SHARP EDGES.

REQ. ITEM	PART NO.	DESCRIPTION	SYMBOL
	.064 THK	THE TECHNICAL MATERIEL CORP. MAMARONECK, NEW YORK	Ø
	STOCK SIZE		
	ALUMINUM		
Ø	ORIGINAL RELEASE FOR PRODUCTION	11-30-64	Ø @
X	EXPER. RELEASE	11-12-64	X <i>Jim</i>
SYM	DESCRIPTION	DATE	CH. NO. DRAFTS CHECKER ENG. APP.
UNLESS OTHERWISE SPECIFIED DIMENSIONS ARE IN INCHES AND INCLUDE CHEMICALLY APPLIED OR PLATED FINISHES		SCALE	1:1
DECIMALS .X ± .05 .XX ± .01 .XXX ± .005	FRACTIONS ± 1/64 ANGLES ± 0° 30'	CODE	A
TOLERANCES		5052-H32	—
		TYPE & TEMPER	HEAT TREAT. SPEC.
		5404 YELLOW IRIDITE	
		FINISH & SPEC. NO.	ELEC. DES. APP. MECH. DES. APP.
		<i>G. Jensen</i> @ 11-13-64	<i>RJR</i>
		MS4142	Ø