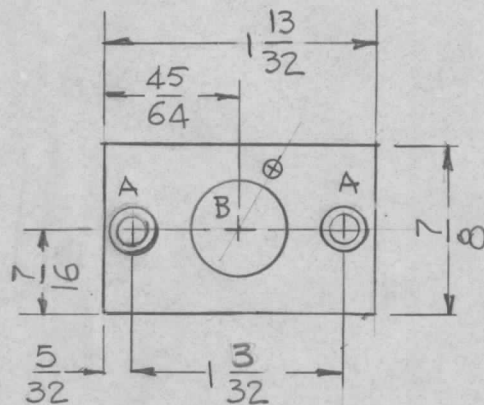
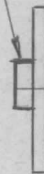


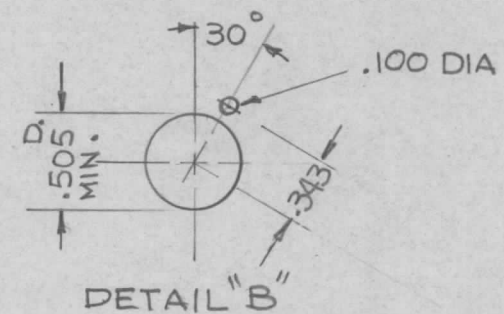
REQ. PER UNIT	USED ON			MS 4056	Ø
	MODEL	ASS'Y. NO.	DATE		
2	BSP-6		5-10-65		



1 MOUNT IN 2 "A" HOLES



HOLE	DESCRIPTION	REQ
A	.161-.164 DIA	2
B	SEE DETAIL	



2	1	NT129-440-3	NUT, PLAIN, SPLINE	A
REQ. ITEM	PART NO.		DESCRIPTION	SYMBOL
	.051 THK		THE TECHNICAL MATERIEL CORP. MAMARONECK, NEW YORK	
	STOCK SIZE			
	ALUMINUM		BRACKET, MTG. CONNECTOR	
	MATERIAL			
	5052-H32		G.D.L.	JOB
	TYPE & TEMPER	HEAT TREAT. SPEC.	DRAWN	CHECKED
	S404 YEL. IRIDITE			5-11-65
	FINISH & SPEC. NO.	ELEC. DES. APP.	MECH. DES. APP.	MS4056

Ø ORIGINAL RELEASE	5-10-65	Ø	C.D.L.			
SYM	DESCRIPTION	DATE	CH. NO.	DRAFTS	CHECKER	ENG. APP.
	UNLESS OTHERWISE SPECIFIED DIMENSIONS ARE IN INCHES AND INCLUDE CHEMICALLY APPLIED OR PLATED FINISHES	SCALE	1:1			
DECIMALS	TOLERANCES	FRACTIONS	CODE			
.X ± .05		± 1/64	A			
.XX ± .01		ANGLES				
.XXX ± .005		± 0° 30'				