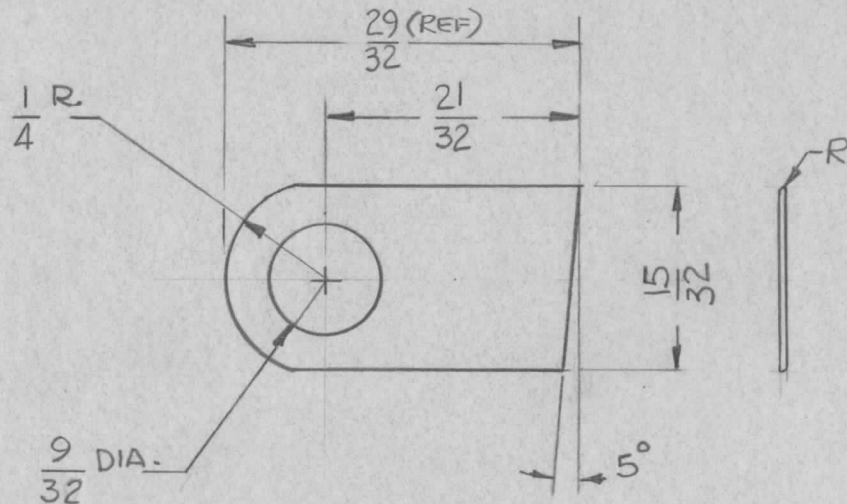


REQ. PER UNIT	USED ON			MS4013	Ø
	MODEL	ASS'Y. NO.	DATE		
2	GPT-40K	A3535	9-3-64		



REMOVE ALL BURRS AND SHARP EDGES

REQ. ITEM	PART NO.	F. BUDETTI DESCRIPTION				SYMBOL
	.050 THK.	THE TECHNICAL MATERIEL CORP. MAMARONECK, NEW YORK				
	STOCK SIZE	STRAP, CONNECTOR				
	COPPER					
	MATERIAL					
	1/2 HARD		G.D.L	@ 9-3-64	<i>[Signature]</i>	
	TYPE & TEMPER	HEAT TREAT. SPEC.	DRAWN	CHECKED	FINAL APPROVAL	
	NATURAL		<i>[Signature]</i>	<i>[Signature]</i>	MS4013	Ø
	FINISH & SPEC. NO.	ELEC. DES. APP.	MECH. DES. APP.			

UNLESS OTHERWISE SPECIFIED DIMENSIONS ARE IN INCHES AND INCLUDE CHEMICALLY APPLIED OR PLATED FINISHES	SCALE 2:1
DECIMALS .X ± .05 .XX ± .01 .XXX ± .005	FRACTIONS ± 1/64 ANGLES ± 0° 30'
TOLERANCES	CODE A