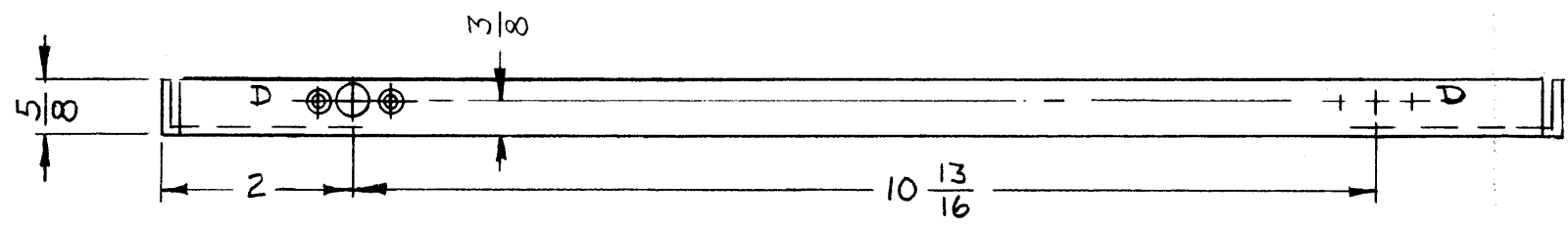
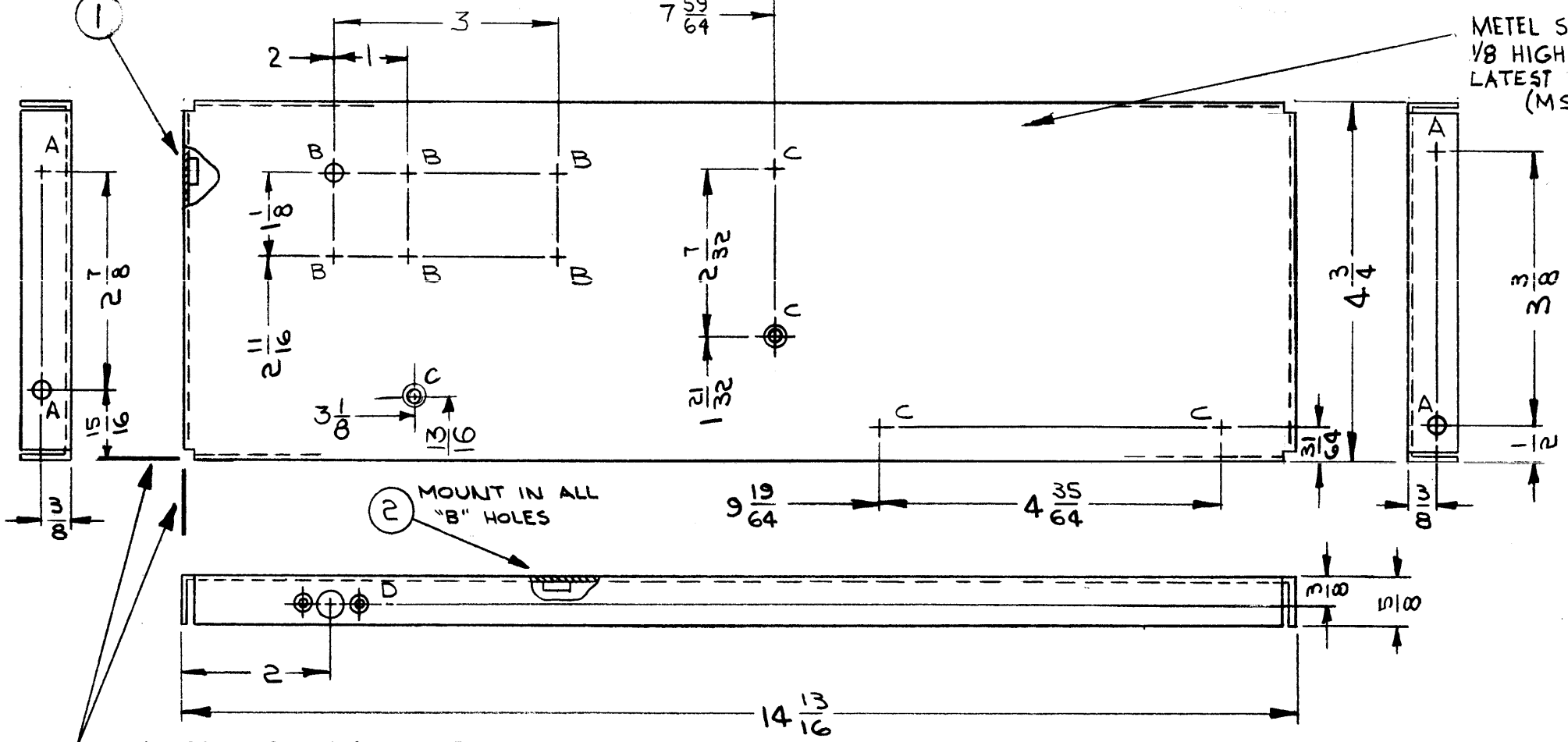


REVISIONS					
SYM	DESCRIPTION	DATE	E.M.N. NO.	DRAFT	CHKD APPD
XI	REDRAWN & REDESIGNED	9-16-64	XI	<i>[Signature]</i>	
Ø	ORIGINAL RELEASE FOR PRODUCTION	9-25-64	Ø	<i>[Signature]</i>	
A	"D" DETAIL DELE. FR. BOTTOM VIEW (IPL); TOP VIEW ADDED.	2-13-65	13415	<i>[Signature]</i>	<i>[Signature]</i>
B	1" C HOLE ADDED.	10-28-65	15014	<i>[Signature]</i>	<i>[Signature]</i>

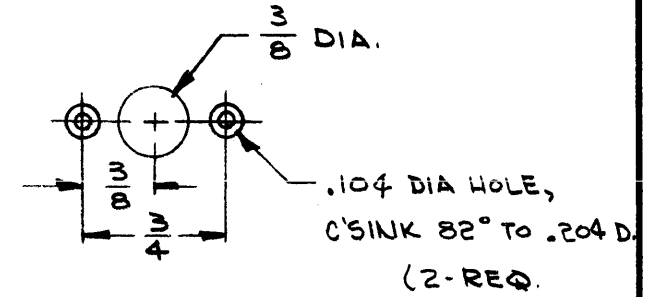


MOUNT IN ALL "A" HOLES



METAL STAMP TMC P/N, 1/8 HIGH GOTHIC, WITH LATEST REVISION LETTER (MS3830-)

HOLE	DESCRIPTION	REQ
A	.221 -.224 DIA	4
B	.250 -.253 DIA	6
C	.144 DIA. HOLE, C'SINK 82° TO .284 DIA.	5
D	SEE DETAIL	3



MOUNT IN ALL "B" HOLES

LOCATING BASE LINES

UNLESS OTHERWISE SPECIFIED:

1. USE MATERIAL THICKNESS FOR MAXIMUM RADIUS ON ALL BENDS
2. ALL ANGULAR BENDS 90 DEGREES
3. REMOVE ALL BURRS AND SHARP EDGES
4. MOUNT INSERTS AFTER FINISHING

NOTES

Q'TY./UNIT	MODEL USED ON	ASS'Y. NO.
1	PFCB-1	
SCALE	CODE	
1:2	A	

THE CONTENTS OF THIS DRAWING ARE THE EXCLUSIVE PROPERTY OF THE TECHNICAL MATERIEL CORP. ITS UNAUTHORIZED USE OR REPRODUCTION IN WHOLE OR IN PART IS STRICTLY FORBIDDEN.

REQ'D.	ITEM	PART NUMBER	DESCRIPTION	SYMBOL
6	2	NT129-1032-4	NUT, PLAIN SPLINE	B
4	1	NT129-832-4	NUT, PLAIN SPLINE	A

GELLMAN		LIST OF MATERIAL	
MATERIAL		THE TECHNICAL MATERIEL CORP.	
.081 ALUMINUM 5052-H32		MAMARONECK, NEW YORK	
FINISH		TITLE	
5404-YELLOW IRIDITE		PLATE, SIDE-RIGHT	
UNLESS OTHERWISE SPECIFIED DIMENSIONS ARE IN INCHES AND INCLUDE CHEMICALLY APPLIED OR PLATED FINISHES		DRAWN	DATE
		<i>[Signature]</i>	9-16-64
		CHECKED	DATE
		<i>[Signature]</i>	9-25-64
		ELECT. DES.	DATE
		<i>[Signature]</i>	
		MECH. DES.	DATE
		<i>[Signature]</i>	
		FINAL APPROVAL	
		<i>[Signature]</i>	
		DATE	
		MS3830-B	
		SHEET	
		REV. LTR.	