

5

4

3

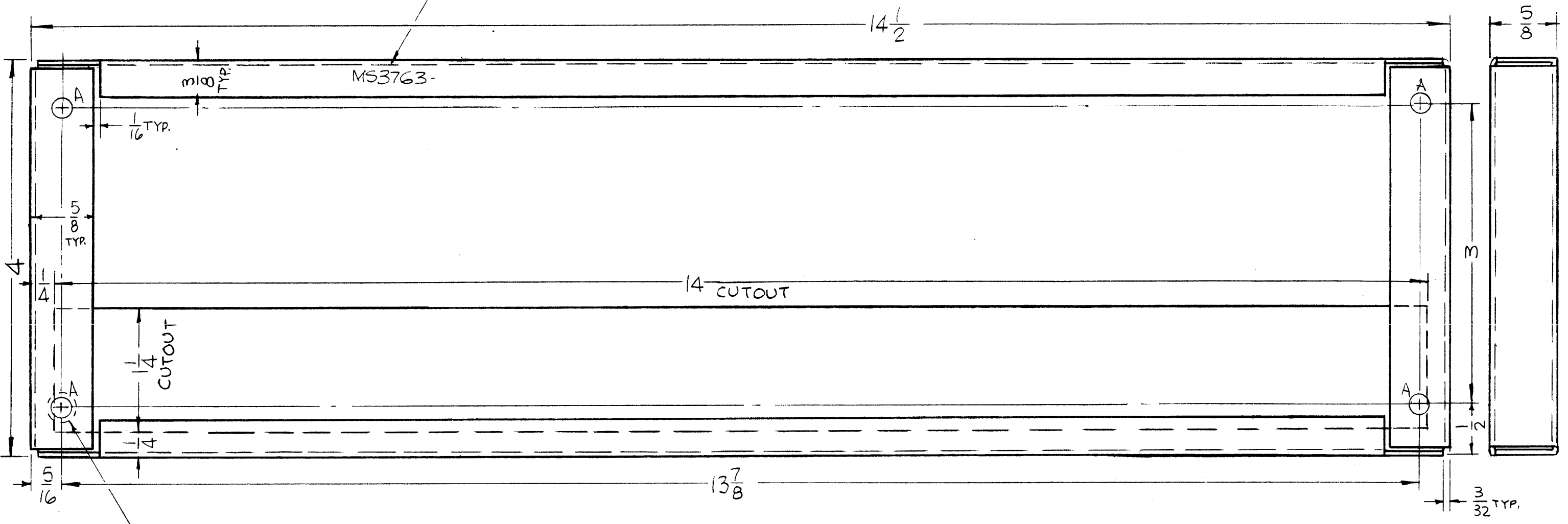
2

1

HOLES
A-.191-.194 DIA. 4 REQ.

REVISIONS						
ZONE	LTR	DESCRIPTION	DATE	E.M.N.NO	DRAFT	CHKD APPD
	X1	REDRAWN	2-1-67		<i>MB</i>	<i>lrc</i>
	Ø	ORIGINAL RELEASE FOR PRODUCTION	2-3-67	Ø	RME	

MARK TMC P/N
1/8 HIGH GOTHIC
W/LATEST REV.
LETTER.



1 MOUNT IN ALL
A HOLES
AFTER FINISHING.

- UNLESS OTHERWISE SPECIFIED:
1. USE MATERIAL THICKNESS FOR MAXIMUM RADIUS ON ALL BENDS
 2. ALL ANGULAR BENDS 90 DEGREES
 3. REMOVE ALL BURRS AND SHARP EDGES
 4. MOUNT INSERTS AFTER FINISHING

QTY / UNIT	MODEL USED ON	ASS'Y NO.
1	RAK-III	
1	RAK-110-2	

APPLICATION

CODE
A

NOTICE TO PERSONS RECEIVING THIS DRAWING
THE TECHNICAL MATERIEL CORPORATION claims proprietary right in the material disclosed hereon. This drawing is issued in confidence for engineering information only and may not be reproduced or used to manufacture anything shown hereon without permission from THE TECHNICAL MATERIEL CORPORATION to the user. This drawing is loaned for mutual assistance and is subject to recall at any time.

UNLESS OTHERWISE SPECIFIED DIMENSIONS ARE IN INCHES AND INCLUDE CHEMICALLY APPLIED OR PLATED FINISHES

DECIMALS	FRACTIONS
.X ± .05	1/64
.XX ± .01	TOLS. ANGLES
.XXX ± .005	0° - 30'

MATERIAL .063 ALUMINUM 5052-H32
FINISH 5404-IRIDITE 5520 TEX VINYL PAINT

4	1	NT129-632-4	NUT, PLAIN, SPLINE	A
REQ'D	ITEM	PART NUMBER	DESCRIPTION	SYM.
F. BUDETTI LIST OF MATERIAL				
THE TECHNICAL MATERIEL CORP. MAMARONECK, NEW YORK				
ADAPTER, AIR CHAMBER				
SIZE	CODE IDENT. NO.	DWG NO.	ISSUE	
B	82679	MS 3763	Ø	
SCALE			SHEET OF	

5

4

3

2

1