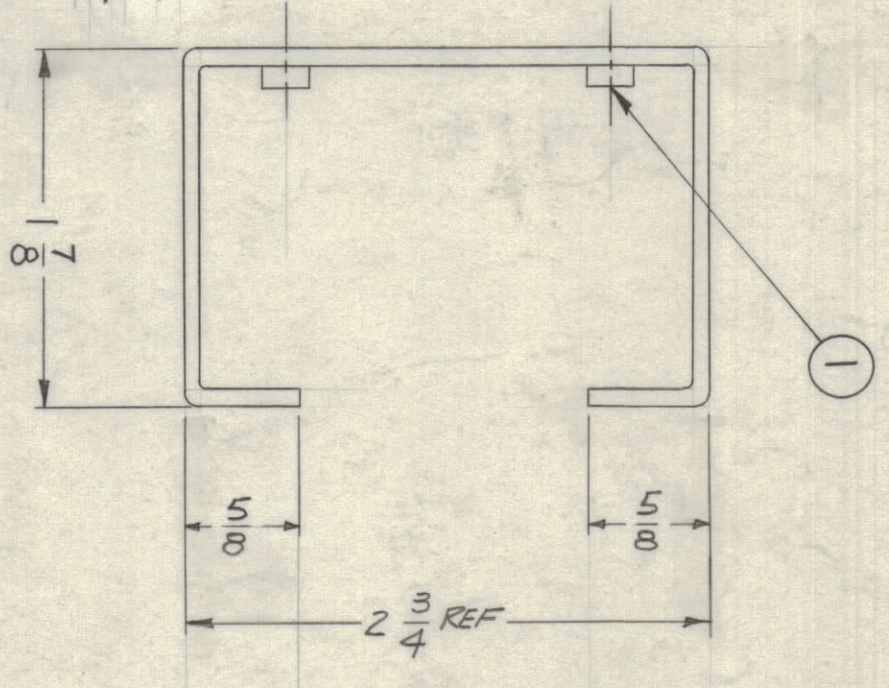
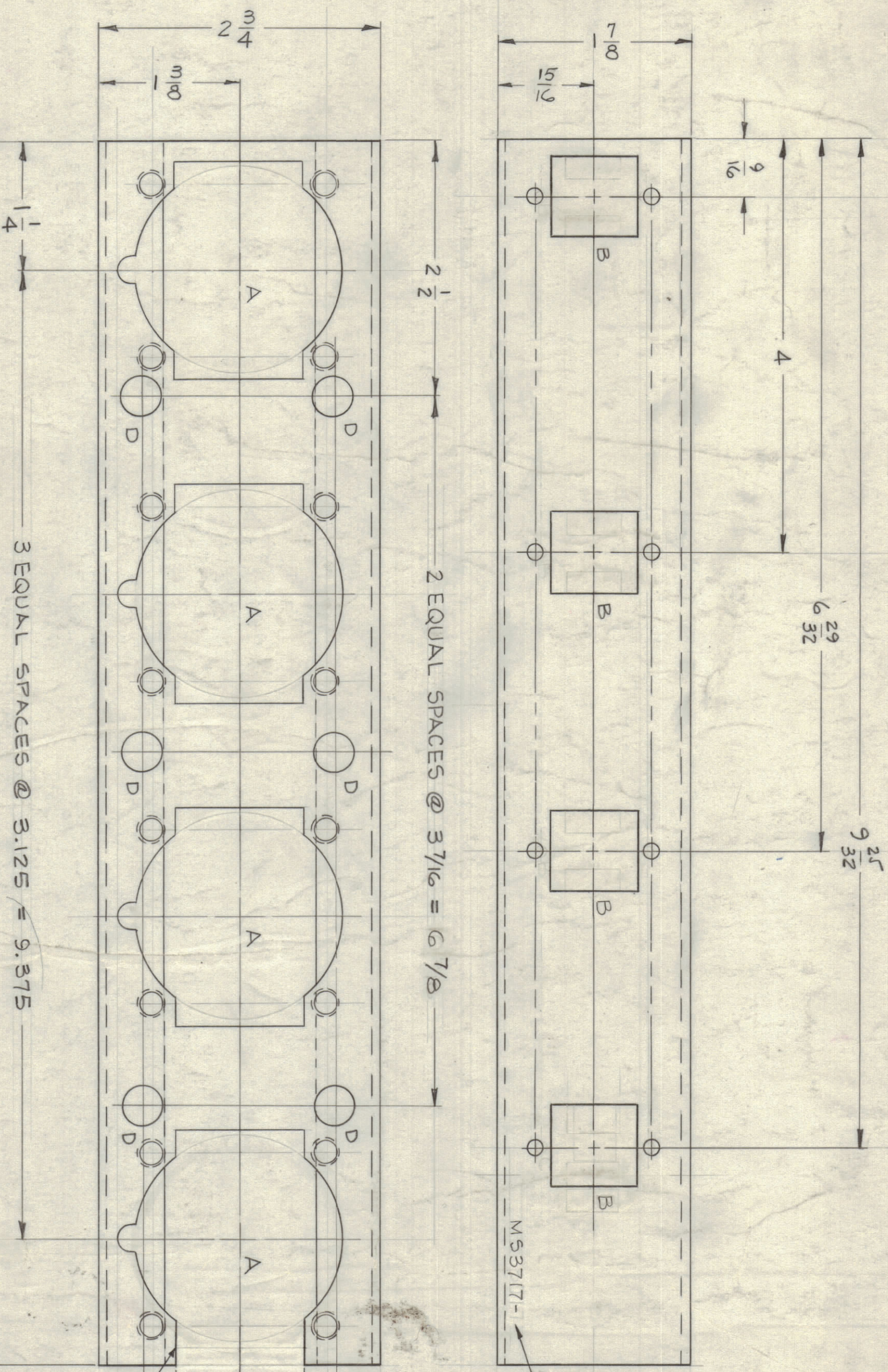


ZONE	REV	DESCRIPTION	DATE	EAJN NO.	DRFT	CHKD	APPD
X	1	EXPERIMENTAL RELEASE	3/1/52				
X	1	DETAIL DELETED. QTY OF B HOLE WAS 3 ON "B" DETAIL. 34.3 DIM. WAS .250	4/2/52	X1	AM	@	
X	2	DETAIL "B" REVISED. DET. C REPLACED BY DET. B #23.64	5/2/54	X2	JOB	TR	
X	3	ADDED 2 1/8 X 1 1/4 CUTOUT - DETAIL "A"	5/2/54				
EG	A	ORIGINAL RELEASE FOR PRODUCTION	2/17/54				
		ADD 3/16 X 1 1/4 CUTOUT & NOTE TO DETAIL "A"	5/13/54				

METAL STAND TMC PART NO. 1/8 HIGH GOTHIC WITH LATEST REVISION LETTER.

M53717-



HOLE	DESCRIPTION	READ
A	SEE DETAIL	4
B	SEE DETAIL	4
C	DELETED	1
D	3/8 DIA	6
E	3/16 DIA	6

UNLESS OTHERWISE SPECIFIED:
 1. USE MATERIAL THICKNESS FOR MAXIMUM RADII ON ALL BENDS.
 2. ALL ANGULAR BENDS 90°.
 3. REMOVE ALL BURRS AND SHARP EDGES.
 4. MOUNT INSERTS AFTER FINISHING.

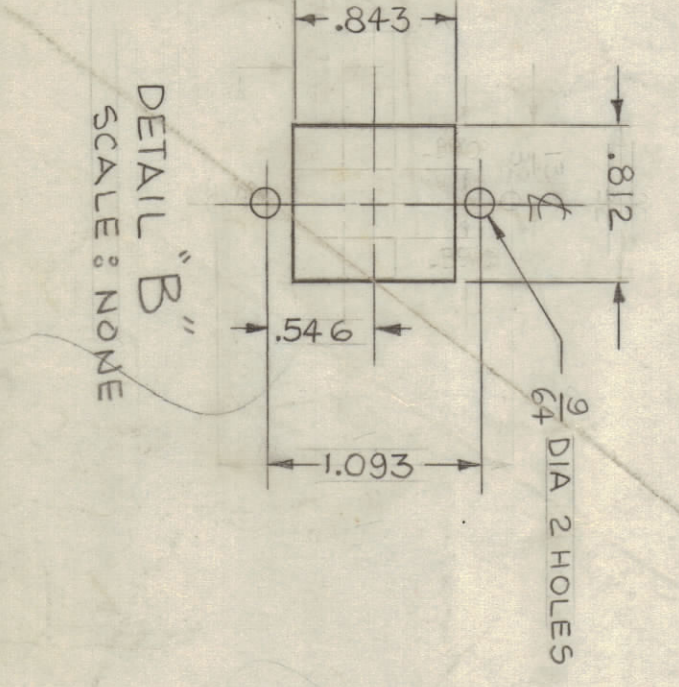
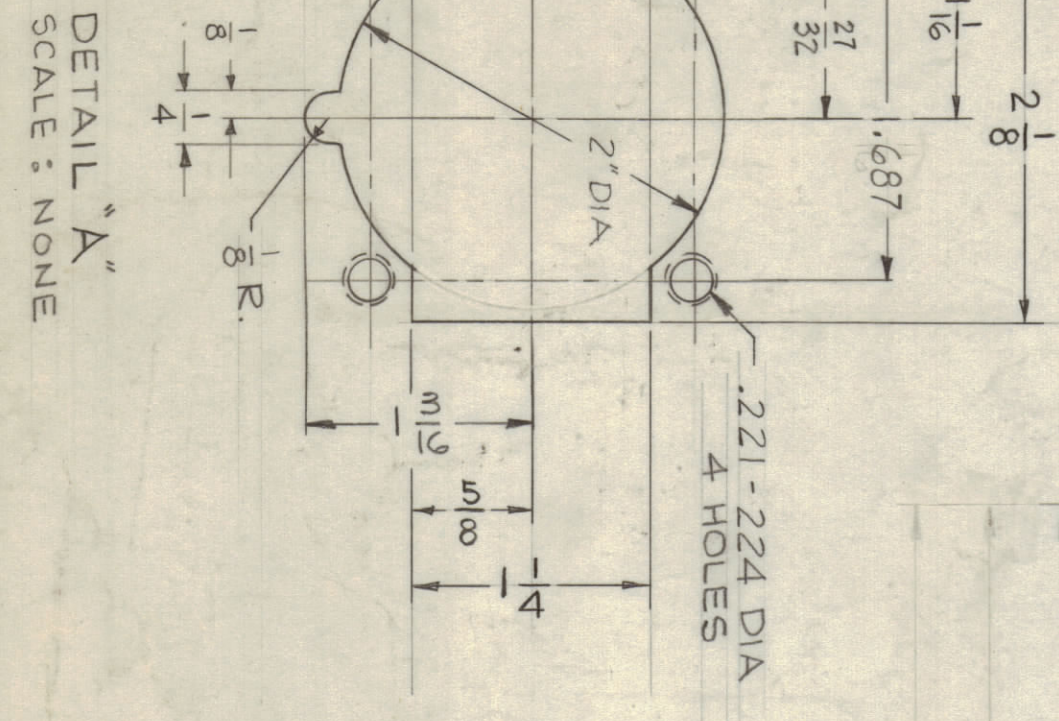
REF: LD1723

REV.	ITEM	PART NUMBER	DESCRIPTION	SYMBOL
1	1	NT-129-832-4	NUT, ROUND, SWAGETYPE	
		E-3011	LIST OF MATERIAL	
		5052-H32	THE TECHNICAL MATERIEL CORP. MAMARONECK, NEW YORK	
			BRACKET, LEDEX	

QTY/UNIT	MODEL/VERSION	ASBY. NO.	DATE
1	HFS-1		7/6/52
SCALE	CODE		DATE
1:1	A		3/24/52

NOTES

THE CONTENTS OF THIS DRAWING ARE THE EXCLUSIVE PROPERTY OF THE TECHNICAL MATERIEL CORP. ITS UNAUTHORIZED USE OR REPRODUCTION IN WHOLE OR IN PART IS STRICTLY PROHIBITED.



THE FORM 111