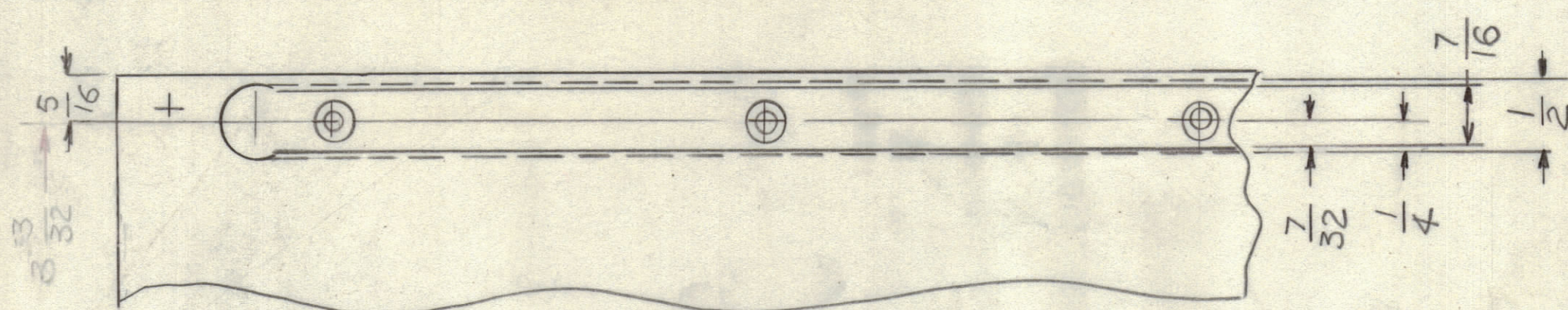
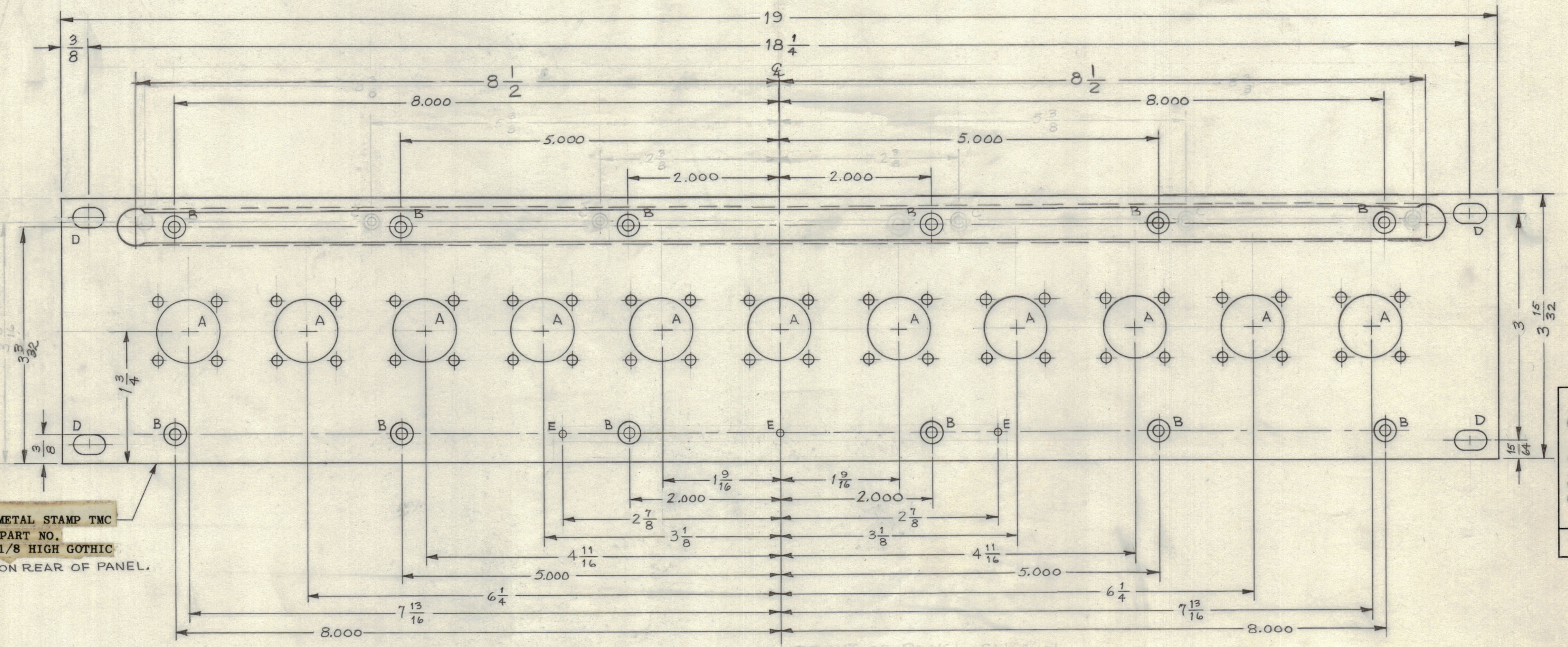


REVISIONS							
ZONE	SYM	DESCRIPTION	DATE	E.M.N. NO.	DRAFT	CHKD	APPD
	O	ORIGINAL RELEASE FOR PRODUCTION	3-5-64				
	A	SIX "A" HOLES DELETED - DETAIL "D" ADD.	4-5-63	22044	GDL		



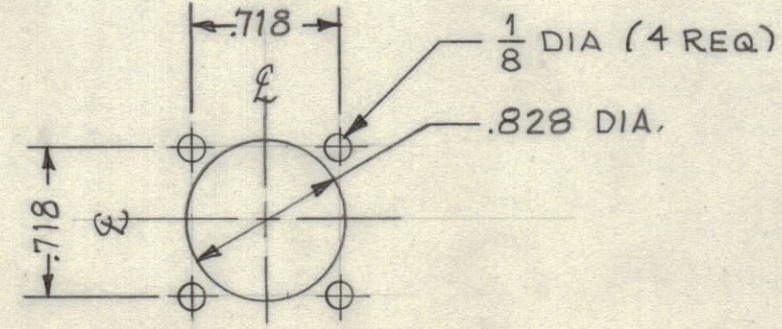
DETAIL "D"



METAL STAMP TMC
PART NO.
1/8 HIGH GOTHIC
ON REAR OF PANEL.

MS-3716
A

"A" HOLE DETAIL



HOLE LEGEND

- A - SEE DETAIL 11 REQ
- B - SEE DETAIL 12 REQ
- C - SEE DETAIL 6 REQ
- D - 13/32 X 1/4 SLOT 4 REQ
- E - 5/64 DIA 3 REQ

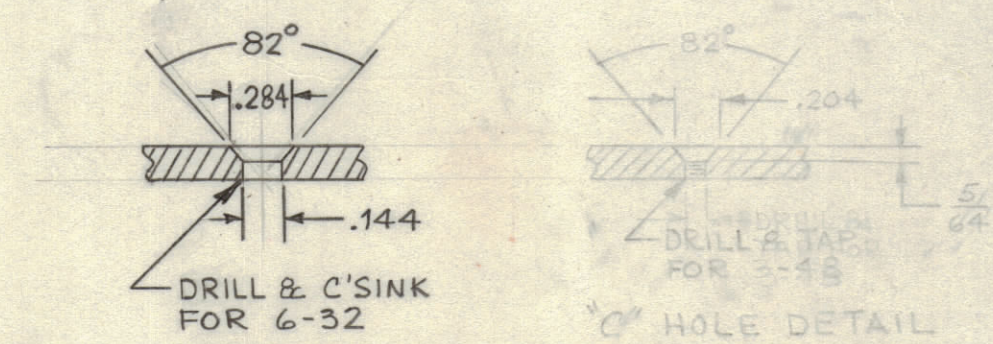
FINISH NOTES:

1. S404 - IRIDITE 14-2 AL-COAT.
2. S114 - ZINC CHROMATE PRIMER) FRONT AND
3. S115 - SMOOTH GRAY ENAMEL) EDGES ONLY

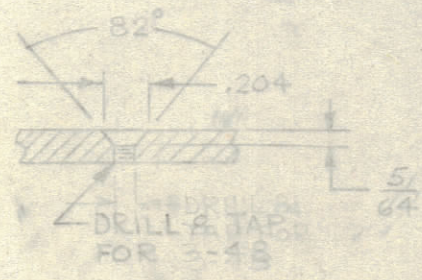
MACHINING:

1. MILL ALL EDGES.
2. HOLES MUST BE DRILLED, UNLESS OTHERWISE SPECIFIED.
3. LATERAL BOW OF PANEL MUST BE KEPT TO .031 TOLERANCE.
4. PANEL MUST BE FREE OF ALL MACHINING MARKS, GOUGES AND SCRATCHES. IF NECESSARY, SAND FRONT OF PANEL WITH NO. 120 GRIT SANDPAPER.

"B" HOLE DETAIL



"C" HOLE DETAIL



NOTES

1	QDP-6B1X11	
QTY./UNIT	MODEL USED ON	ASS'Y. NO.
SCALE	CODE	
1:1		

THE CONTENTS OF THIS DRAWING ARE THE EXCLUSIVE PROPERTY OF THE TECHNICAL MATERIEL CORP. ITS UNAUTHORIZED USE OR REPRODUCTION IN WHOLE OR IN PART IS STRICTLY FORBIDDEN.

REQ'D.	ITEM	PART NUMBER	DESCRIPTION	SYMBOL
MARTINENGO LIST OF MATERIAL				
MATERIAL		ALUMINUM 2024-T3	THE TECHNICAL MATERIEL CORP. MAMARONECK, NEW YORK	
FINISH		SEE NOTES	TITLE PANEL, FRONT	
DRAWN		M TANTILLO	DATE	3-3-64
CHECKED		[Signature]	DATE	3-4-64
ELECT. DES.			DATE	
MECH. DES.		[Signature]	DATE	3-4-64
SHEET			DATE	
REV. LTR.			DATE	