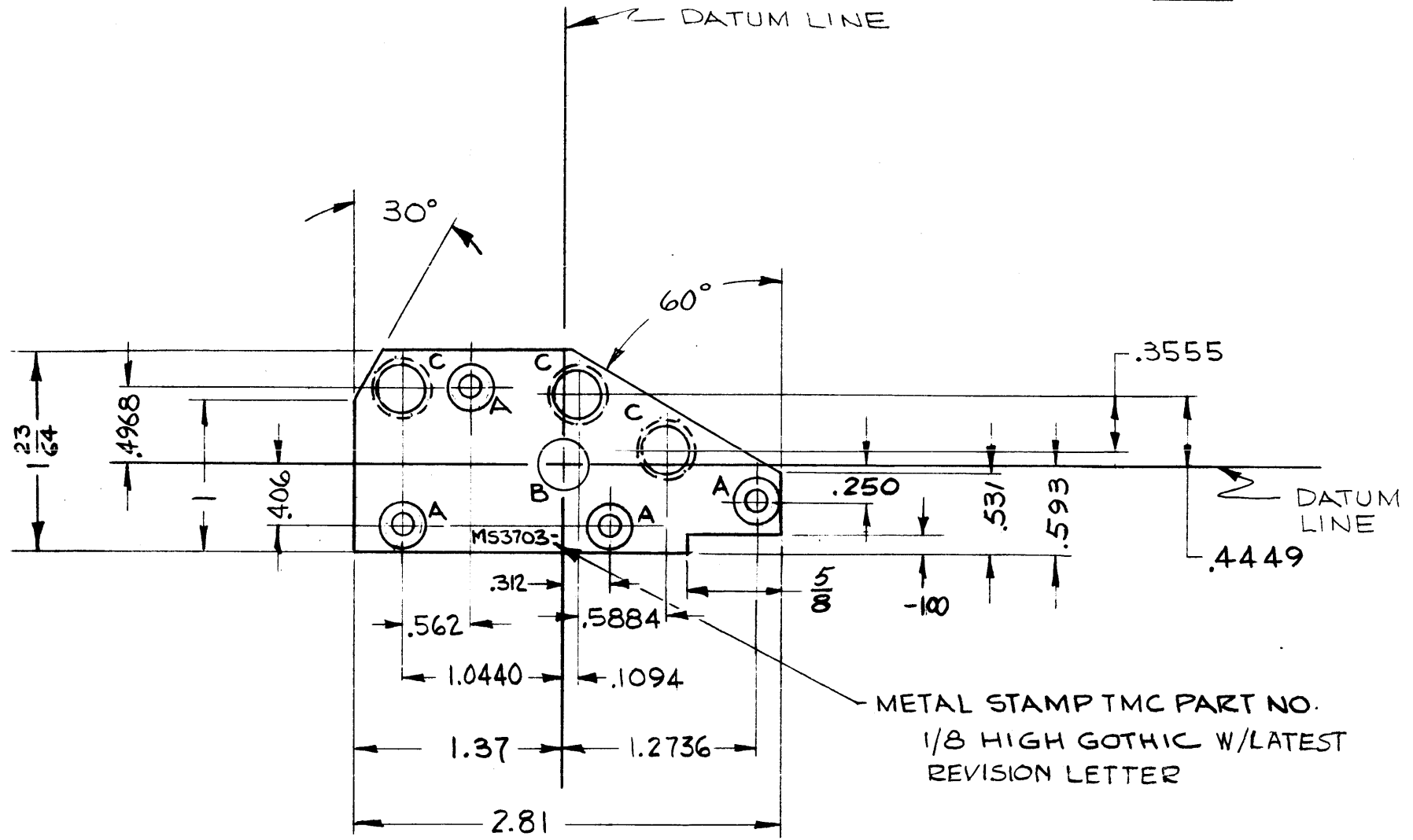


MS 3703 A

REVISIONS					
SYM	DESCRIPTION	DATE	E.M.N. NO.	DRAFT	CHKD APPD
X	EXPERIMENTAL RELEASE	3/29/64	11	JK	@
X1	CHAMFER REMOVED	8-6-64	1	S. Sch	
Ø	ORIGINAL RELEASE FOR PRODUCTION	8-14-64	1	COCH	
A	"A" WAS .120 DIA CSK 82° X .230 (3 REQ), 1" A-HOLE ADD. "C" WAS DR. .312 THRU 8" C BORE .3749-.3746 X .125 DP. DIMS. & PICTORIAL REVISED	11.4.64	12861	hb	@ JK



HOLE LEGEND		
HOLE	DESCRIPTION	REQ
A	.169 DIA - CSK 82° X .339	4
B	.312 DIA	1
C	DR. .312 THRU 8" C BORE .3749-.3752 X .128 <sup>+0.002</sup> / <sub>-.005</sub> DP	3

**NOTE:**

- 1.- PLATE MUST BE FLAT WITHIN .003
- 2.- ALL DIMS START AT DATUM LINES
- 3.- TOL. ON 4 PLACE DECIMAL ± .0005
- 4.- REMOVE ALL BURRS & SHARP EDGES

REQ'D.	ITEM	PART NUMBER	DESCRIPTION	SYMBOL
<b>T. KRUY LIST OF MATERIAL</b>				
MATERIAL			<b>THE TECHNICAL MATERIEL CORP.</b>	
.156 THK ALUM 5052-H32			MAMARONECK, NEW YORK	
FINISH			TITLE	
S404 YELLOW IRIDITE			PLATE, IDLER	
UNLESS OTHERWISE SPECIFIED DIMENSIONS ARE IN INCHES AND INCLUDE CHEMICALLY APPLIED OR PLATED FINISHES			DRAWN <i>A. Davis</i>	DATE 2-27-64
			CHECKED <i>A. Turner</i>	DATE 2-27-64
			ELECT. DES.	DATE
			MECH. DES. <i>T. Kruy</i>	DATE 2/17/64
DECIMALS .X ± .05 .XX ± .01 .XXX ± .005			TOLERANCES ± 1/64 ANGLES ± 0° 30'	
THE CONTENTS OF THIS DRAWING ARE THE EXCLUSIVE PROPERTY OF THE TECHNICAL MATERIEL CORP. ITS UNAUTHORIZED USE OR REPRODUCTION IN WHOLE OR IN PART IS STRICTLY FORBIDDEN.			MS 3703 A	
			SHEET	
			REV. LTR.	

**NOTES**