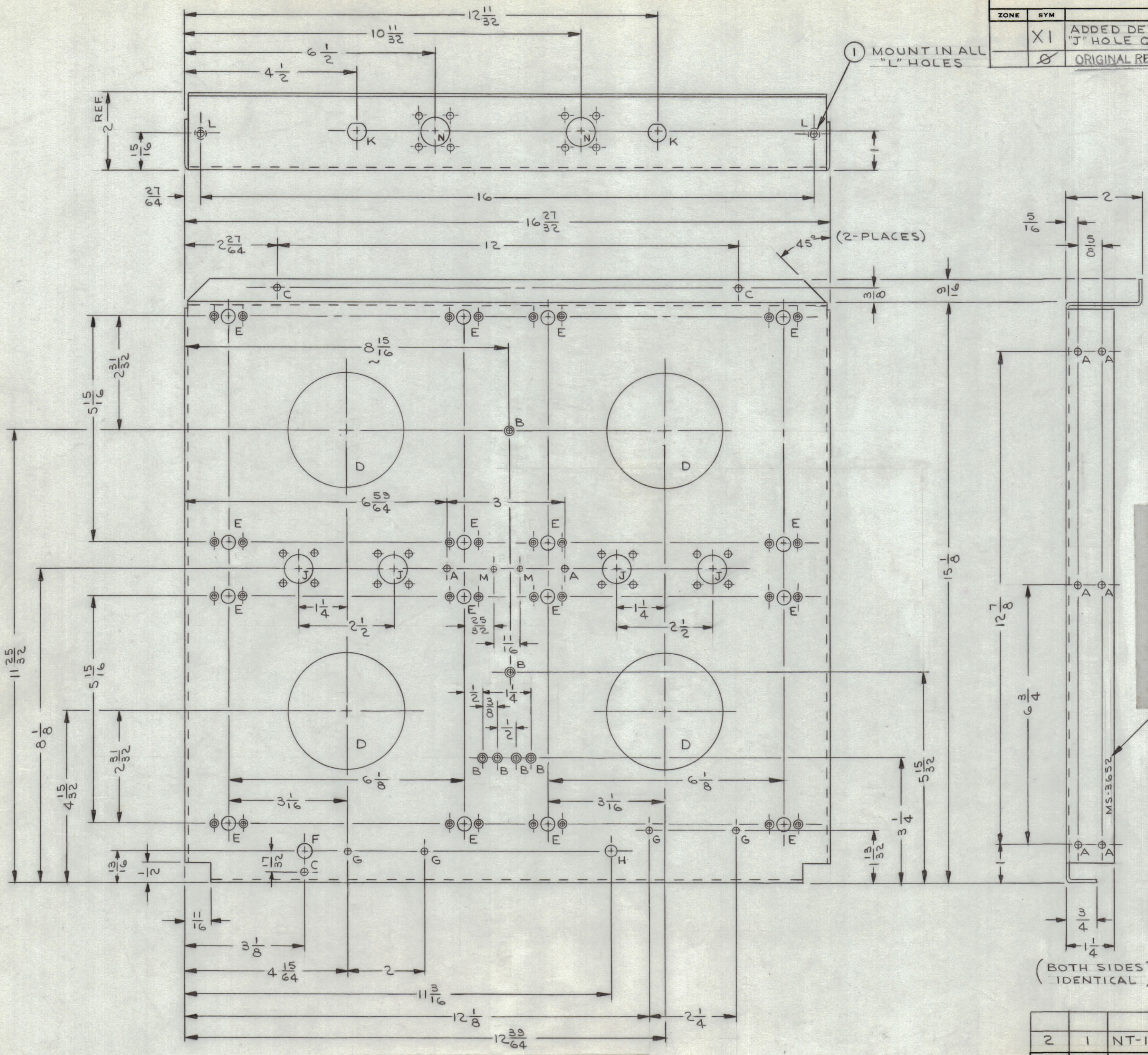
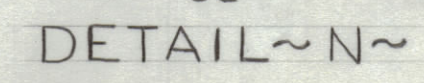
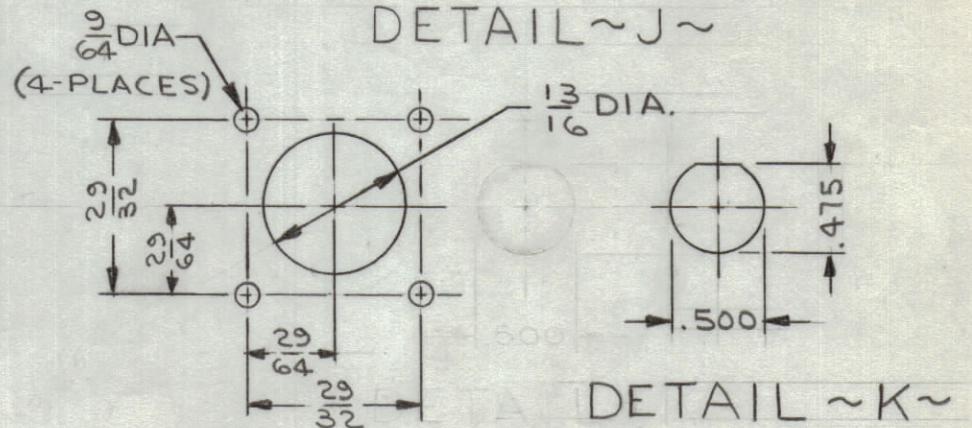
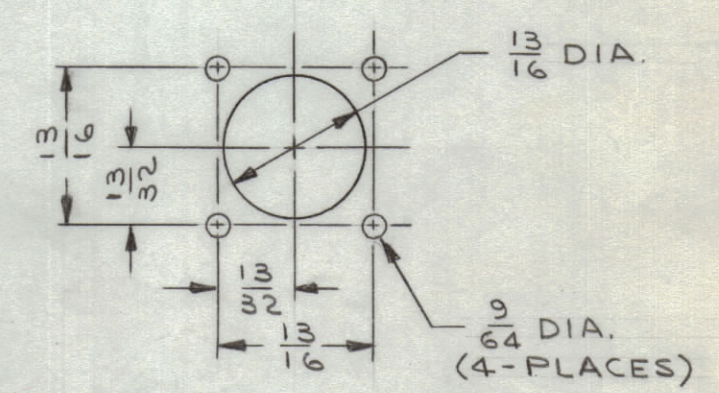
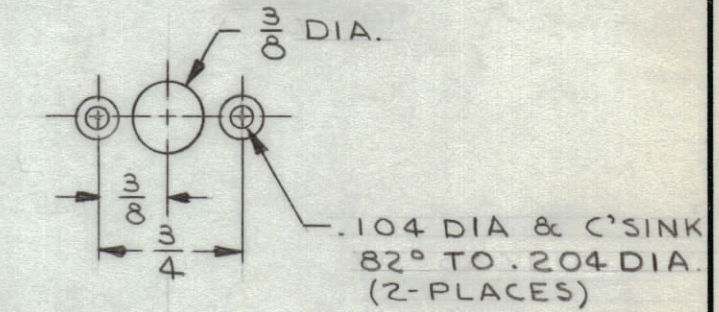


REVISIONS							
ZONE	SYM	DESCRIPTION	DATE	E.M.N. NO.	DRAFT	CHKD	APPD
XI		ADDED DETAIL "N"; "B" HOLE QTY WAS 4; "J" HOLE QTY WAS 6.	2/4/64	1	JL		
		ORIGINAL RELEASE FOR PRODUCTION	10-29-64				



HOLE LEGEND		
HOLE	DESCRIPTION	REQ'D
A	11/64 DIA.	14
B	.120 DIA. C'SINK 82° TO .230 DIA.	6
C	3/16 DIA.	3
D	3" DIA.	4
E	SEE DETAIL	16
F	13/32 DIA.	1
G	5/32 DIA.	4
H	5/16 DIA.	1
J	SEE DETAIL	4
K	SEE DETAIL	2
L	.191-.194	2
M	9/64 DIA	2
N	SEE DETAIL	2

METAL STAMP TMC PART NO.
1/8 HIGH GOTHIC.
WITH LATEST REV. LETTER



- UNLESS OTHERWISE SPECIFIED:
1. USE MATERIAL THICKNESS FOR MAXIMUM RADIUS ON ALL BENDS.
 2. ALL ANGULAR BENDS 90°.
 3. REMOVE ALL BURRS AND SHARP EDGES.
 4. MOUNT INSERTS AFTER FINISHING.

NOTES

1		BPS(-)-1	
QTY./UNIT	MODEL USED ON	ASS'Y. NO.	
SCALE 1:2	CODE		

THE CONTENTS OF THIS DRAWING ARE THE EXCLUSIVE PROPERTY OF THE TECHNICAL MATERIEL CORP. ITS UNAUTHORIZED USE OR REPRODUCTION IN WHOLE OR IN PART IS STRICTLY FORBIDDEN.

2	1	NT-129-632-4	NUT, PLAIN SPLINE	L
M. GELLMAN LIST OF MATERIAL				
MATERIAL .081THK ALUMINUM 5052-H32			THE TECHNICAL MATERIEL CORP. MAMARONECK, NEW YORK	
FINISH YELLOW IRIDITE PER TMC SPEC S-404			TITLE CHASSIS, ELECTRICAL, MAIN	
DRAWN J. LESHINSKI		DATE 12/18/63	FINAL APPROVAL [Signature]	
CHECKED G. Turai		DATE 2/1/64		
ELECT. DES.		DATE	MS-3652-0	
MECH. DES.		DATE	REV. LTR.	

MS-3652-0