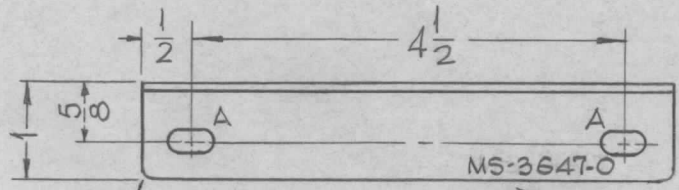
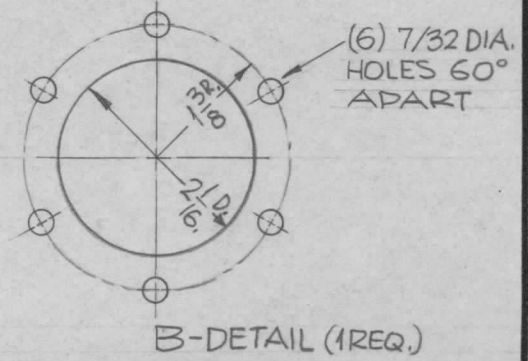
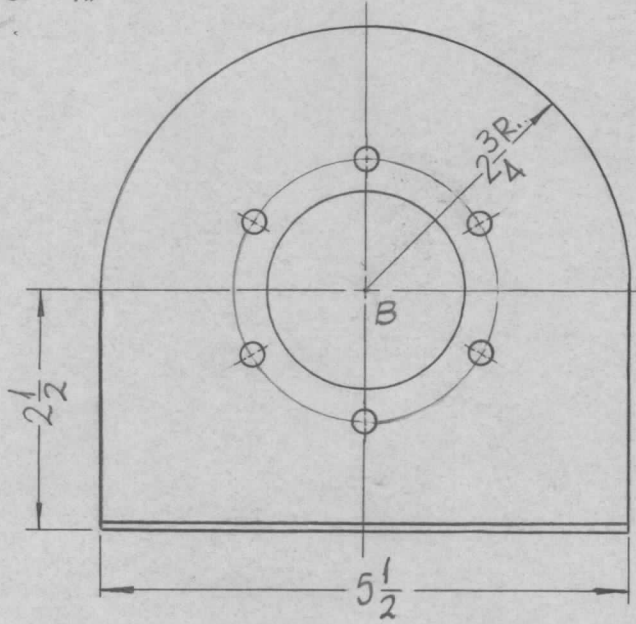
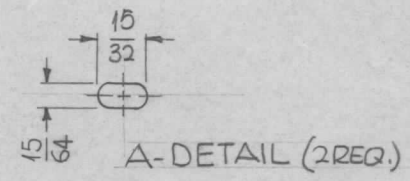


REQ. PER UNIT	USED ON			MS-3647 0
	MODEL	ASS'Y. NO.	DATE	
1	GPT-200K(AK-392)	A-3159	12-27-63	



METAL STAMP TMC PART NO. 1/8 HIGH GOTHIC.



- UNLESS OTHERWISE SPECIFIED:
1. USE MATERIAL THICKNESS FOR MAXIMUM RADIUS ON ALL BENDS.
  2. ALL ANGULAR BENDS 90°.
  3. REMOVE ALL BURRS AND SHARP EDGES.

REF-TMC NO. LD-1454

SYM	DESCRIPTION	DATE	CH. NO.	DRAFTS	CHECKER	ENG. APP.	REQ. ITEM	PART NO.	F. BUDETTI	DESCRIPTION	SYMBOL	
							1/8 THICK			THE TECHNICAL MATERIEL CORP. MAMARONECK, NEW YORK		
							STOCK SIZE					
							ALUMINUM				BRACKET, CAPACITOR MTG.	
○	ORIGINAL RELEASE FOR PRODUCTION	3-6-64										
	UNLESS OTHERWISE SPECIFIED DIMENSIONS ARE IN INCHES AND INCLUDE CHEMICALLY APPLIED OR PLATED FINISHES	SCALE	1/2" = 1"					5052-H32		SRG	aa	RJC 4-7-64
	DECIMALS .X ± .05 .XX ± .01 .XXX ± .005	FRACTIONS ± 1/64 ANGLES ± 0° 30'	CODE	A				5404 YELLOW IRIDITE		OB PB		MS-3647 0
	TOLERANCES						FINISH & SPEC. NO.		ELEC. DES. APP.	MECH. DES. APP.		