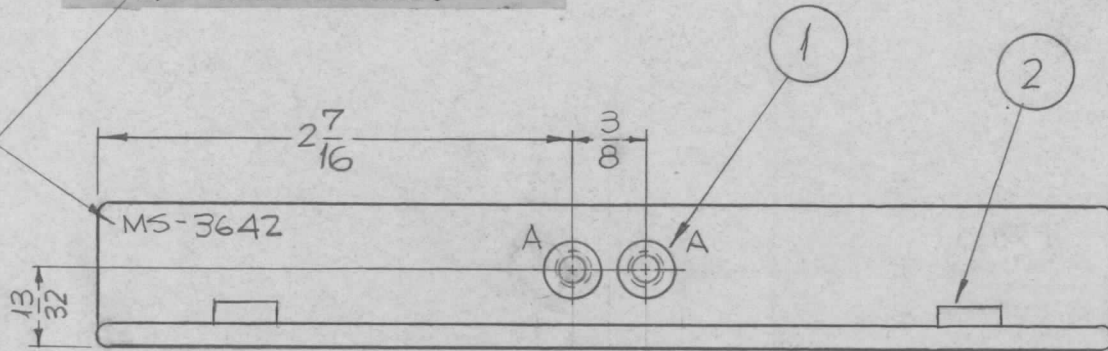


REQ. PER UNIT	USED ON			MS-3642 0
	MODEL	ASS'Y. NO.	DATE	
2	GPT-200K	AS-124	12-11-63	

METAL STAMP TMC PART NO.  
1/8 HIGH GOTHIC.



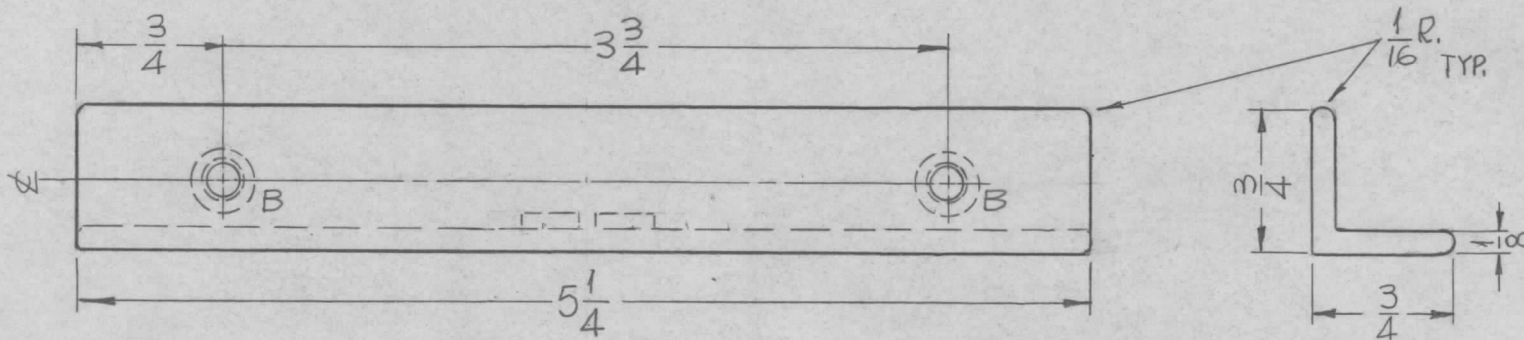
HOLES:

A-.224-.221 DIA.—2REQ

B-.250-.253 DIA.—2REQ.

NOTE:

MOUNT INSERTS AFTER FINISHING.



2	2	NT-129-1032-6	NUT ROUND, SWAGE TYPE	
2	1	NT-129-832-6	NUT ROUND, SWAGE TYPE	

SYM	DESCRIPTION	DATE	CH. NO.	DRAFTS	CHECKER	ENG. APP.	REQ. ITEM	PART NO.	F. BUDETTI	DESCRIPTION	SYMBOL	
									AS NOTED	THE TECHNICAL MATERIEL CORP. MAMARONECK, NEW YORK		
									STOCK SIZE			
									ALUMINUM		BRACKET, SPRING MTG	
0	ORIG. RELEASE FOR PROD.	5-16-64		SRG								
UNLESS OTHERWISE SPECIFIED DIMENSIONS ARE IN INCHES AND INCLUDE CHEMICALLY APPLIED OR PLATED FINISHES		SCALE	1"=1"									
DECIMALS .X ± .05 .XX ± .01 .XXX ± .005	TOLERANCES	FRACTIONS ± 1/64 ANGLES ± 0° 30'	CODE A					5052-H32		SRG	aa	RDC
							S-404 YELLOW IRIDITE		DBB	mc 2/1/64	MS-3642 0	
							FINISH & SPEC. NO.		ELEC. DES. APP.	MECH. DES. APP.		