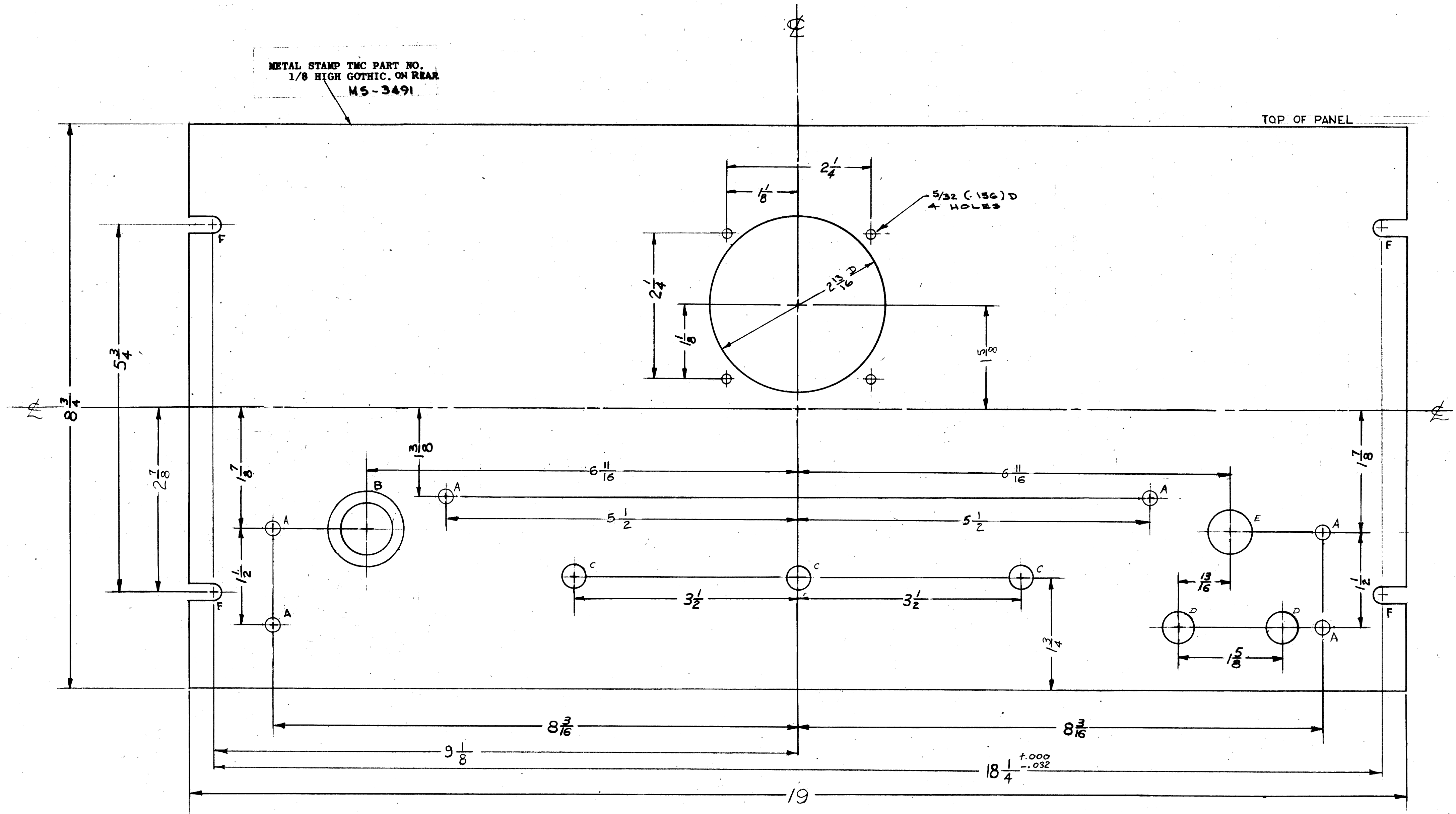


IF IT IS FOUND DESIRABLE TO CHANGE ANY TOLERANCE OR OTHER DETAIL SPECIFIED ON THIS DRAWING NOTIFY THE PURCHASER PROMPTLY.
 MAXIMUM ALLOWABLE TOLERANCES HAVE BEEN DETERMINED AND DEVIATIONS WILL BE CAUSE FOR REJECTION.
 REMOVE ALL BURRS AND SHARP EDGES

METAL STAMP TMC PART NO.
 1/8 HIGH GOTHIC, ON REAR
 MS-3491

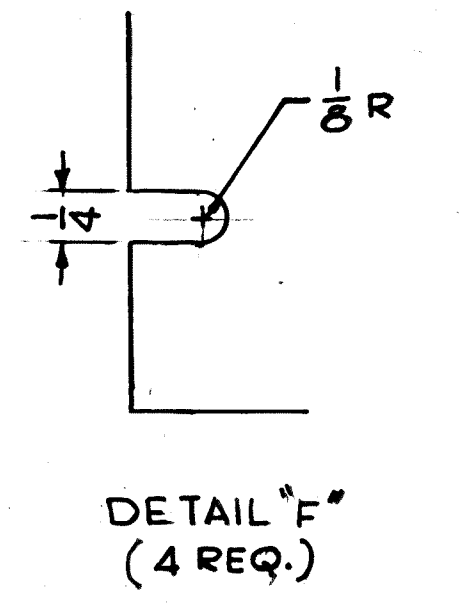
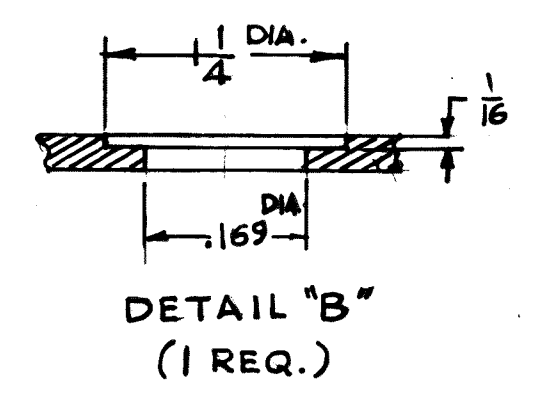


FRONT OF PANEL SHOWN

- MACHINING:**
1. MILL ALL EDGES.
 2. HOLES MUST BE DRILLED, UNLESS OTHERWISE SPECIFIED.
 3. LATERAL BOW OF PANEL MUST BE KEPT TO .031 TOLERANCE.
 4. PANEL MUST BE FREE OF ALL MACHINING MARKS, GOUGES AND SCRATCHES. IF NECESSARY, SAND FRONT OF PANEL WITH NO. 120 GRIT SANDPAPER.

- FINISH NOTES:**
1. S404 - IRIDITE 14-2 AL-COAT.
 2. S114 - ZINC CHROMATE PRIMER) FRONT AND
 3. S115 - SMOOTH GRAY ENAMEL) EDGES ONLY

LEGEND		
HOLE	DESCRIPTION	REQ.
A	7/32 DIA.	6
B	SEE DETAIL "B"	1
C	25/64 DIA.	3
D	31/64 DIA.	2
E	45/64 DIA.	1
F	SEE DETAIL "F"	4



MS-3491

THE TECHNICAL MATERIEL CORPORATION
 14 MARSHFIELD, NEW YORK

REF: LD-1356

REQ. ITEM	PART NO.	DESCRIPTION	SYMBOL
	3/16 THK.	THE TECHNICAL MATERIEL CORP. MAMARONECK, NEW YORK	
MATERIAL		ALUMINUM	FRONT PANEL MACHINING
WEIGHT PER PC.		245-73	RTC-2
TYPE & TEMPER		G.D.L.	
HEAT TREAT. SPEC.			
FINISH & SPEC. NO.		SEE NOTE	

ISSUE	ITEM	CHANGED FROM	DATE	CN. NO.	DRAFTS	CHECKER	ENG. APP.

ORIGINAL RELEASE FOR PRODUCTION

SCALE: 1:1

DRILL, PUNCH, COMMERCIAL STOCK SIZES AND MANUFACTURERS TOLERANCES ARE NOT INCLUDED.

REQ. PER UNIT	MODEL	PROJECT NO.	ASSY. NO.	DATE
	RTC-2			9-14-63