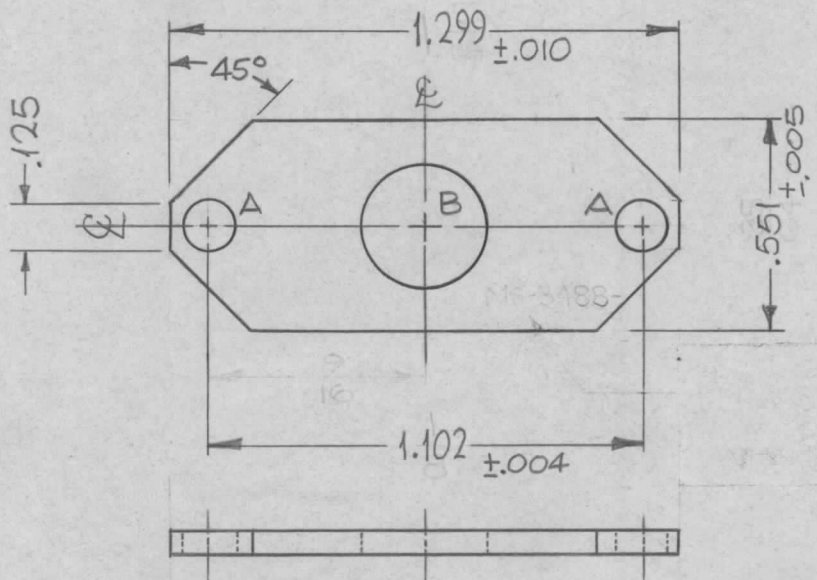


TMC P/N	MFG P/N
MS 3488-1	2213HB

REQ. PER UNIT	USED ON		
	MODEL	ASS'Y. NO.	DATE
1	VLR-1	A-3210	8-3-63
1	VLR-1	A-3271	8-3-63
1	VLR-1	A-3272	8-3-63

MS 3488 B



LEGEND		
HOLE	DESCRIPTION	REQ
A	1/8 DIA	2
B	.330 MIN. DIA.	1

NOTE:  
THIS ITEM IS A STANDARD PURCHASED PART FROM S401-118.

B	METAL STAMP NOTE DELETED. A HOLE WAS 5/16 DIA. TITLE CHANGED. 1.102 WAS 1-1/8, FIN., MTL, TEMP AD. 1.299 WAS 1-5/16, .551 WAS 35/64 .125, CHART, NOTE, ADDED	7-29-64	11870	SRG	JCB	KA
A	ON METAL STAMP TMC PART # WAS MS3448	7.22.64	11870	NB	@	
O	ORIGINAL RELEASE FOR PRODUCTION	5-11-64	0	A.M	@	
X1	TYPE (2213) ADDED TO S401-118	12/19/63	1		MP	W
SYM	DESCRIPTION	DATE	CH. NO.	DRAFTS	CHECKER	ENG. APP.
UNLESS OTHERWISE SPECIFIED DIMENSIONS ARE IN INCHES AND INCLUDE CHEMICALLY APPLIED OR PLATED FINISHES		SCALE	2:1			
DECIMALS .X ± .05 .XX ± .01 .XXX ± .005	TOLERANCES	FRACTIONS ± 1/64 ANGLES ± 0° 30'	CODE	S401-118 (2213)		

REQ.	ITEM	PART NO.	DESCRIPTION	SYMBOL
			M. GELLMAN	
		1/16 THK.	THE TECHNICAL MATERIEL CORP. MAMARONECK, NEW YORK	
		STOCK SIZE		
		BRASS		
			RETAINER; COIL	
		1/2 HARD		
		CAD. PLATE		
		FINISH & SPEC. NO.		
			MS-3488	B