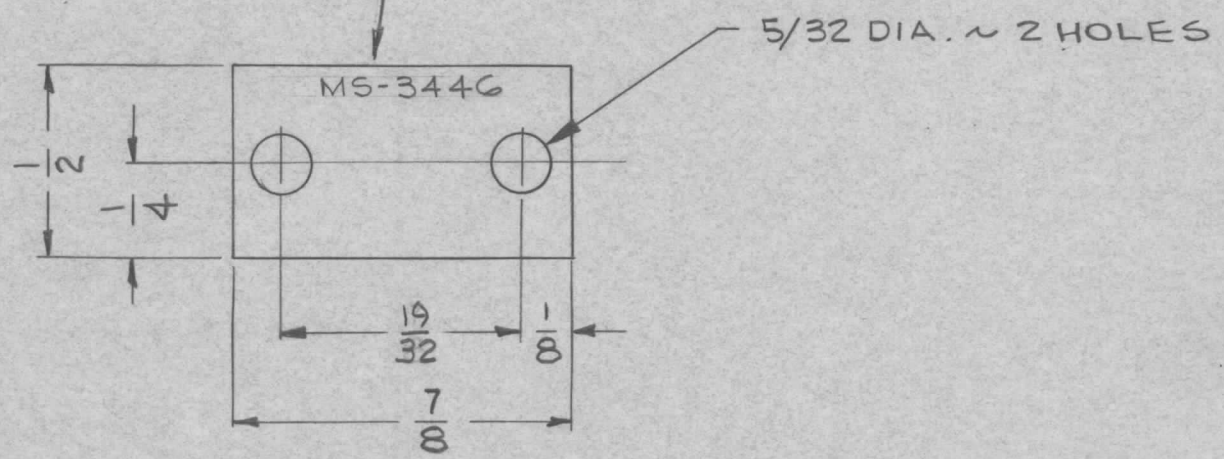


REQ. PER UNIT	USED ON			MS-3446
	MODEL	ASS'Y. NO.	DATE	
1	TTRR,TRT		7-10-63	

METAL STAMP TMC PART NO. 1/8 HIGH GOTHIC



REQ. ITEM	PART NO.	DESCRIPTION			SYMBOL	
	.040 THK.	THE TECHNICAL MATERIEL CORP.				
	STOCK SIZE	MAMARONECK, NEW YORK				
	ALUMINUM	PLATE, CRYSTAL RETAINING				
	MATERIAL					
SYM	DESCRIPTION	DATE	CH. NO.	DRAFTS	CHECKER	ENG. APP.
	UNLESS OTHERWISE SPECIFIED DIMENSIONS ARE IN INCHES AND INCLUDE CHEMICALLY APPLIED OR PLATED FINISHES	SCALE	2:1			
	5052-H32					
	TYPE & TEMPER	HEAT TREAT. SPEC.	DRAWN	CHECKED	FINAL APPROVAL	
	3404 YELLOW IRIDITE		RON KOHN		MS-3446	
	FINISH & SPEC. NO.		17 JULY 1963			
			ELEC. DES. APP.	MECH. DES. APP.		