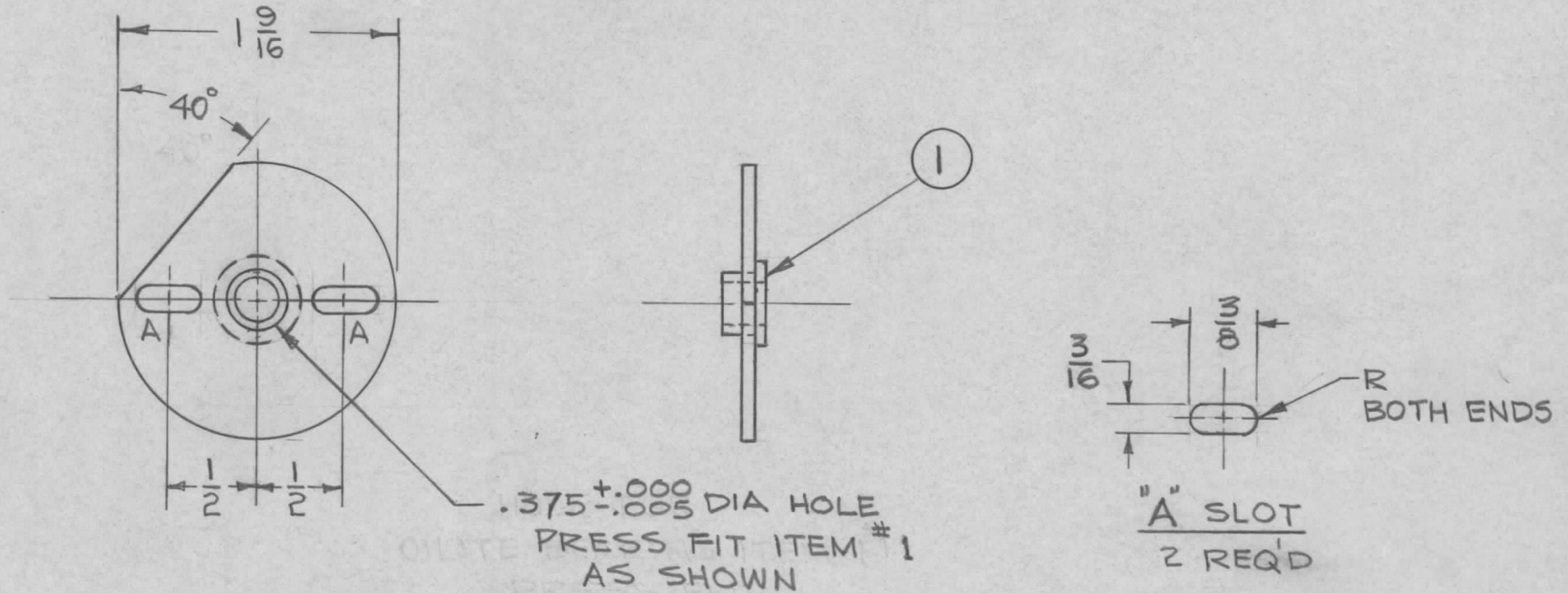


REQ. PER UNIT	USED ON			MS-3440	A
	MODEL	ASS'Y. NO.	DATE		
1	CHG-2A		9-10-63		



NOTES:

1. REMOVE ALL BURRS AND SHARP EDGES.

						1	1	BB-118-36	BEARING, FLANGE TYPE			
						REQ. ITEM		PART NO.	DESCRIPTION	SYMBOL		
								.081 THK	THE TECHNICAL MATERIEL CORP. MAMARONECK, NEW YORK			
								STOCK SIZE				
A	BB-118-36 WAS BB-118-3	12/11/63	10545	<i>AW</i>	<i>AW</i>			ALUMINUM	PLATE, BEARING, ADJUSTABLE			
SYM	DESCRIPTION	DATE	CH. NO.	DRAFTS	CHECKER	ENG. APP.		MATERIAL				
UNLESS OTHERWISE SPECIFIED DIMENSIONS ARE IN INCHES AND INCLUDE CHEMICALLY APPLIED OR PLATED FINISHES		SCALE							2024-T3	<i>JAS</i>	<i>file 9/11/63</i>	
									TYPE & TEMPER	DRAWN	CHECKED	
									S-404 YEL IRIDITE		<i>TAK</i>	
									FINISH & SPEC. NO.	ELEC. DES. APP.	MECH. DES. APP.	
DECIMALS .X ± .05 .XX ± .01 .XXX ± .005	TOLERANCES	FRACTIONS ± 1/64 ANGLES ± 0° 30'	CODE								MS-3440	A