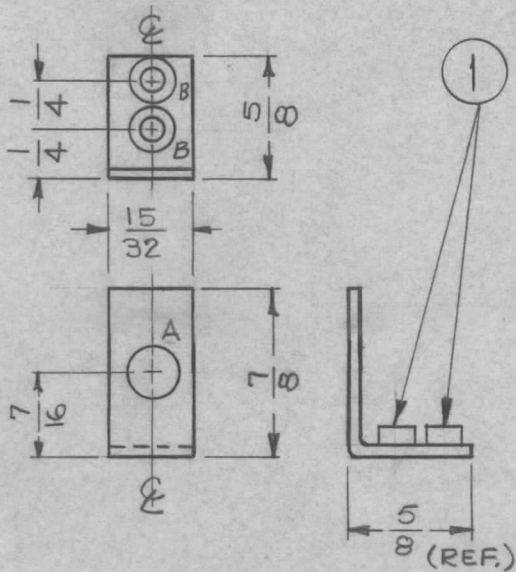


THE CONTENTS OF THIS DRAWING ARE THE EXCLUSIVE PROPERTY OF THE TECHNICAL MATERIEL CORP. ITS UNAUTHORIZED USE FOR REPRODUCTION IN WHOLE OR IN PART IS STRICTLY FORBIDDEN.

REQ. PER UNIT	USED ON		
	MODEL	ASS'Y. NO.	DATE
2	VLR-1	A-3181	4-15-63
2	VLR-1	A-3168	4-15-63

MS 33920

LEGEND		
HOLE	DESCRIPTION	REQ
A	.250 DIA.	1
B	.161-.164 DIA.	2



MOUNT ITEM (1) IN ALL "B" HOLES AS SHOWN IN FINISHING.

UNLESS OTHERWISE SPECIFIED:

1. USE MATERIAL THICKNESS FOR MAXIMUM RADIUS ON ALL BENDS.
2. ALL ANGULAR BENDS 90°.
3. REMOVE ALL BURRS AND SHARP EDGES.
4. MOUNT INSERTS AFTER FINISHING.

2	1	NT-129-0440-3	NUT, ROUND, SWAGE TYPE	B
REQ. ITEM	PART NO.		M. GELLMAN DESCRIPTION	SYMBOL
		.051	THE TECHNICAL MATERIEL CORP. MAMARONECK, NEW YORK	
		ALUMINUM	BRACKET, MOUNTING-RESISTOR, VARIABLE	
		5052-H32	IRIDITE AS PER TMC SPEC. S-404	MS 33920
UNLESS OTHERWISE SPECIFIED DIMENSIONS ARE IN INCHES AND INCLUDE CHEMICALLY APPLIED OR PLATED FINISHES		SCALE 1:1	DATE 5-11-64	CH. NO. 0
SYM	DESCRIPTION	DRAFTS	CHECKER	ENG. APP.
TOLERANCES		FRACTIONS ± 1/64	ANGLES ± 0° 30'	CODE A
DECIMALS .X ± .05 .XX ± .01 .XXX ± .005		TYPE & TEMPER HEAT TREAT. SPEC. DRAWN CHECKED FINAL APPROVAL		
		FINISH & SPEC. NO.		
		ELEC. DES. APP. MECH. DES. APP.		