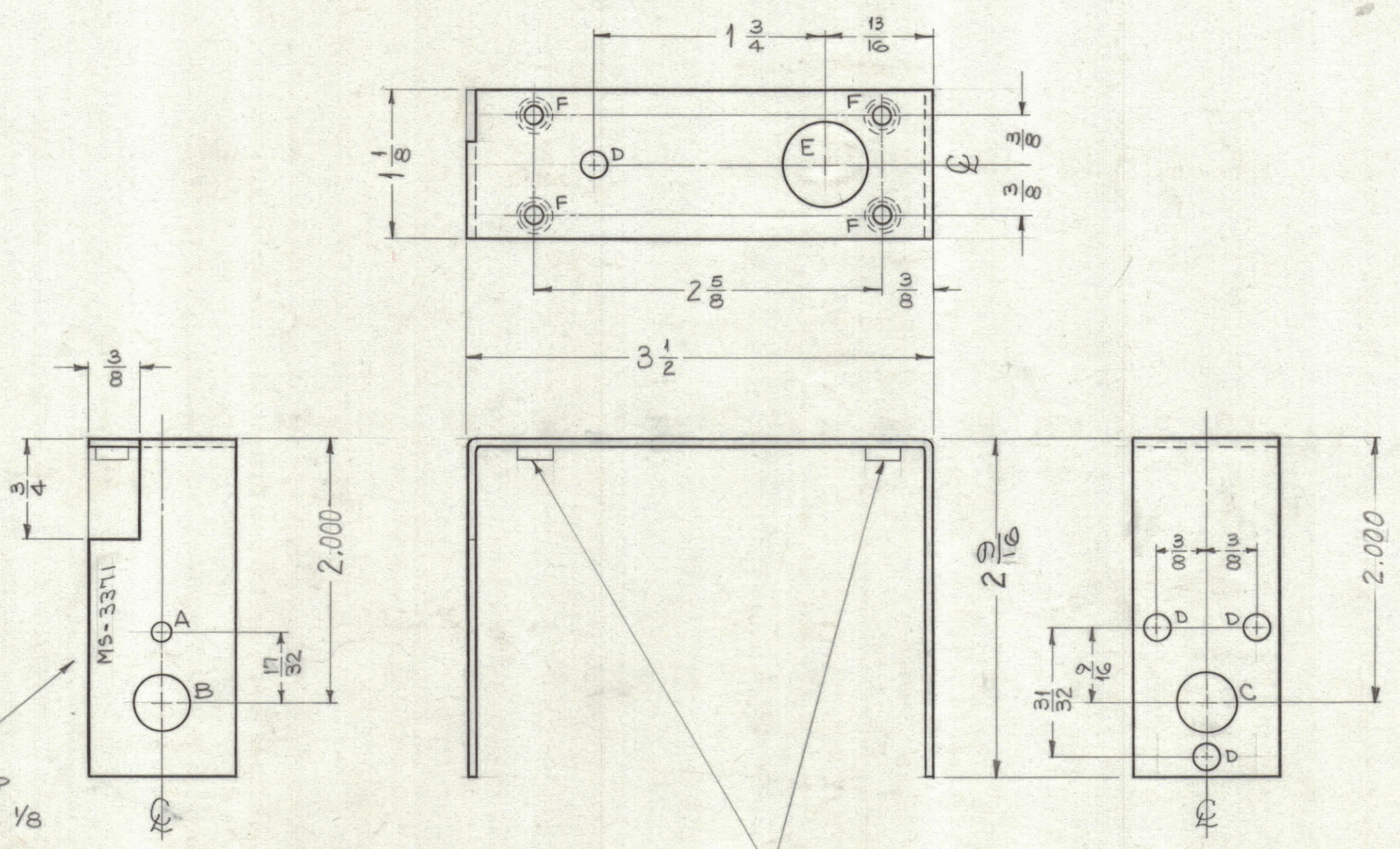


REVISIONS					
ZONE	SYM	DESCRIPTION	DATE	E.M.N. NO.	APPD

LEGEND		
HOLE	DESCRIPTION	REQ.
A	5/32 DIA.	1
B	13/32 DIA.	1
C	7/16 DIA.	1
D	3/16 DIA.	3
E	5/8 DIA.	1
F	.191-.194 DIA.	4



METAL STAMP
TMC PART NO. 1/8
HIGH, GOTHIC.

1 MOUNT IN ALL "F" HOLES AS SHOWN.

- ~ UNLESS OTHERWISE SPECIFIED ~
- 1- USE MATERIAL THICKNESS FOR MAX. RADIUS ON ALL BENDS.
 - 2- ALL BENDS 90°.
 - 3- DEBURR ALL SHARP EDGES.
 - 4- MOUNT INSERTS AFTER FINISHING.

MS-3371

4	1	NT-129-632-4	NUT, ROUND, SWAGE TYPE	F
REQ'D.	ITEM	PART NUMBER	DESCRIPTION	SYMBOL
R. KOHN LIST OF MATERIAL E3037-15				
MATERIAL		THE TECHNICAL MATERIEL CORP. MAMARONECK, NEW YORK		
.064 ALUMINIUM 50 52-H32		TITLE BRACKET, MOUNTING, GEAR VE		
FINISH		S404 - YELLOW IRIDITE		
1		TTR-10	AX-418	
Q'TY./UNIT		MODEL USED ON		ASS'Y. NO.
SCALE		CODE		
FULL		A		
UNLESS OTHERWISE SPECIFIED DIMENSIONS ARE IN INCHES AND INCLUDE CHEMICALLY APPLIED OR PLATED FINISHES				
DECIMALS		FRACTIONS		
.X ± .05		± 1/64		
.XX ± .01		ANGLES		
.XXX ± .005		TOLERANCES		± 0° 30'
DRAWN		DATE		FINAL APPROVAL
E. Jensen		5-17-63		
CHECKED		DATE		
H. De		5-23-63		
ELECT. DES.		DATE		
R. KOHN		1-16-64		
MECH. DES.		DATE		
W. JORDAN		11/16/64		
SHEET				REV. LTR.

NOTES

THE CONTENTS OF THIS DRAWING ARE THE EXCLUSIVE PROPERTY OF THE TECHNICAL MATERIEL CORP. ITS UNAUTHORIZED USE OR REPRODUCTION IN WHOLE OR IN PART IS STRICTLY FORBIDDEN.

MS-3371