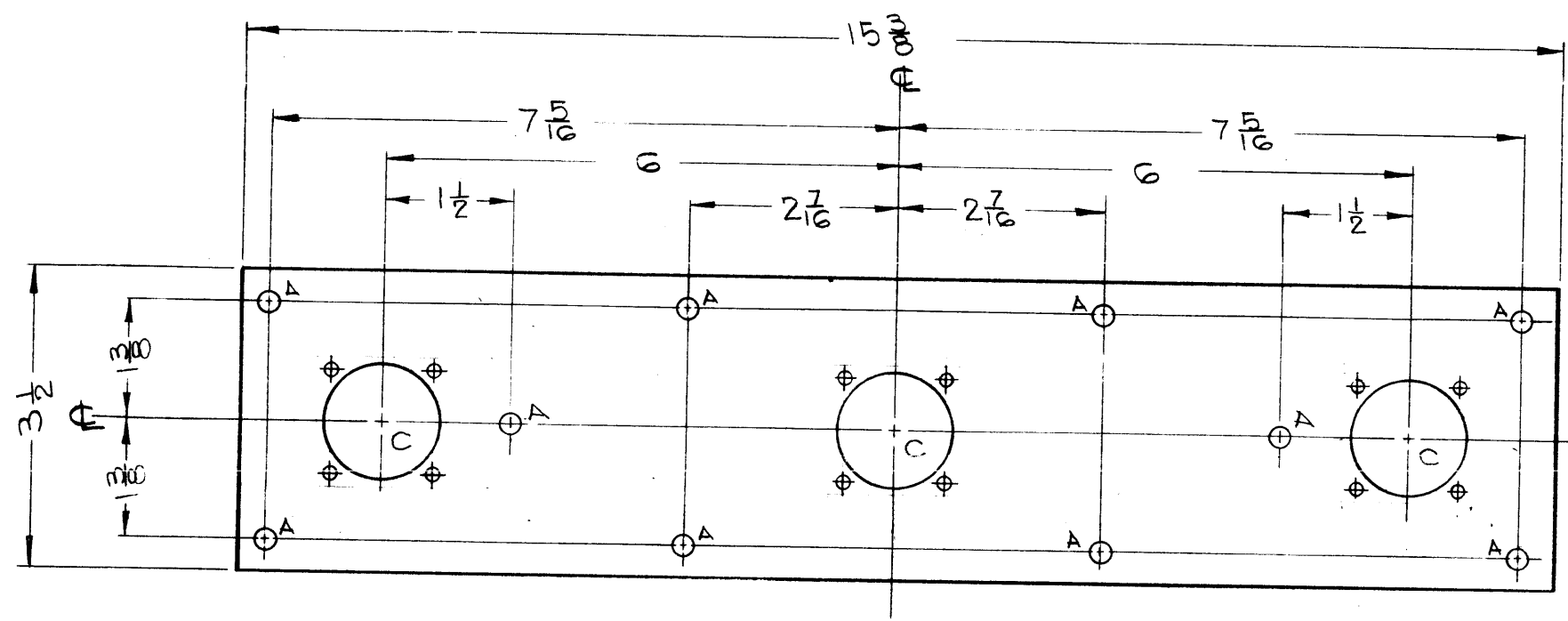
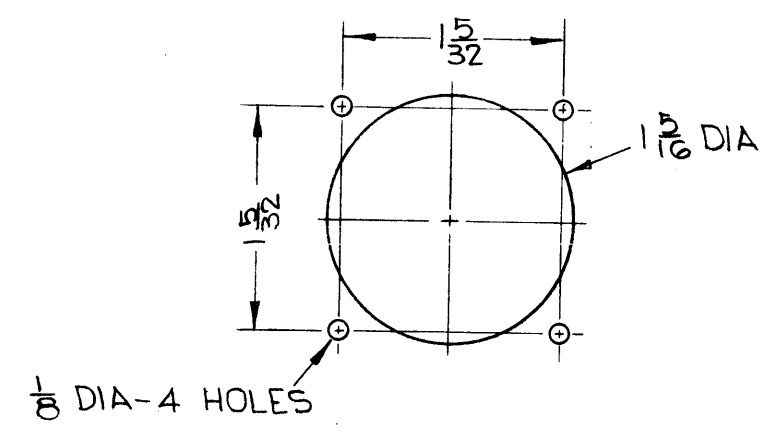


MS-3337

THE CONTENTS OF THIS DRAWING ARE THE EXCLUSIVE PROPERTY OF THE TECHNICAL MATERIEL CORP. ITS UNAUTHORIZED USE OR REPRODUCTION IN WHOLE OR IN PART IS STRICTLY FORBIDDEN.



HOLE
A — 15/64 DIA — 10 REQ



'C' DETAIL - 3 REQ

REF: LD-1285

0	ORIGINAL RELEASE FOR PRODUCTION	5/27/64	0	A.M.		
SYM	DESCRIPTION	DATE	CH. NO.	DRAFTS	CHECKER	ENG. APP.
UNLESS OTHERWISE SPECIFIED: DIMENSIONS ARE IN INCHES TOLERANCES ON FRACTIONS ± 1/64 DECIMALS ± .005 ANGLES ± 1/2°		SCALE: 1:2		MAXIMUM ALLOWABLE TOLERANCES HAVE BEEN DETERMINED AND ANY DEVIATIONS WILL BE CAUSE FOR REJECTION. REMOVE ALL BURRS AND SHARP EDGES		

1	GPT-200K	AX-397		B-30-63
REQ. PER UNIT	MODEL	SECTION	ASS'Y. NO.	DATE
USED ON				

REQ.	ITEM	PART NO.	F. BUDETTI	DESCRIPTION	SYMBOL
	1/8 THK			THE TECHNICAL MATERIEL CORP. MAMARONECK, NEW YORK	
	ALUMINUM			PANEL, CONNECTOR MOUNTING	
	5052-H32			aa	Roc
	S404-IRIDITE			02B	12/7/63
					MS-3337
					0