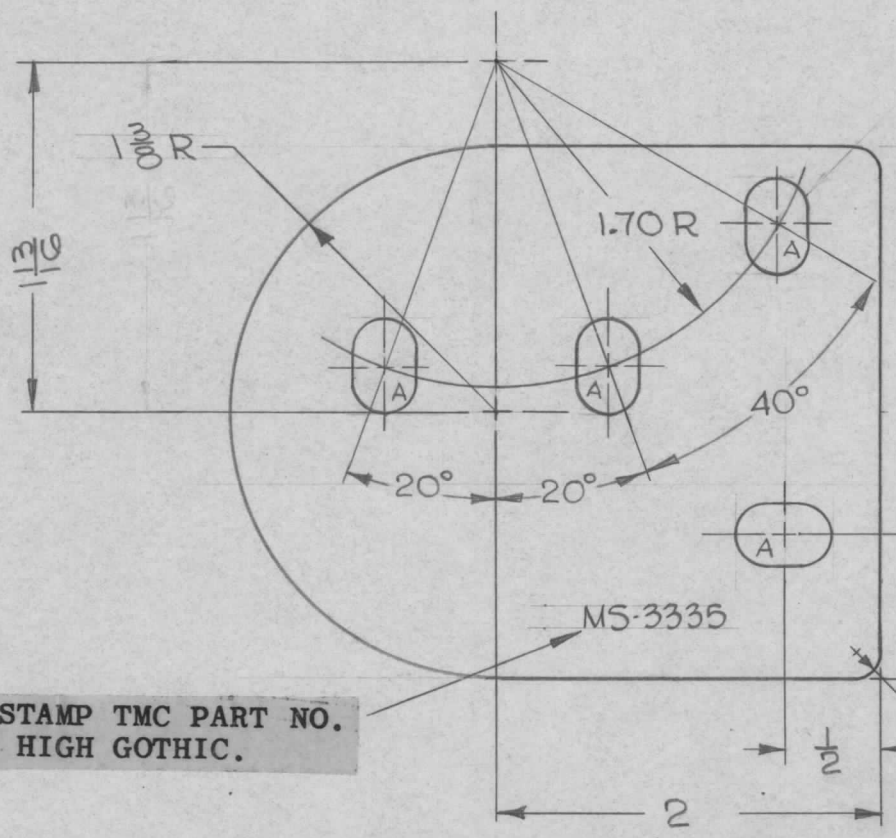


REQ. PER UNIT	USED ON			MS-3335	0
	MODEL	ASS'Y. NO.	DATE		
1	GPT-200K	AS-124	8-29-63		

$\frac{1}{16}$ R. - ALL EDGES



5/16 x 1/4 SLOT - 4 REQ

HOLE

A - 5/16 x 1/4 SLOT - 4 REQ

METAL STAMP TMC PART NO. 1/8 HIGH GOTHIC.

MS-3335

3/4

1/8 R. TYP

REQ. ITEM	PART NO.	F. BUDETTI	DESCRIPTION	SYMBOL							
	1/8 THK		THE TECHNICAL MATERIEL CORP.								
	STOCK SIZE		MAMARONECK. NEW YORK								
0	HOT ROLLED COPPER		PLATE, ELECTRICAL INTERCONNECT								
SYM	DESCRIPTION	DATE	CH. NO.	DRAFTS	CHECKER	ENG. APP.	MATERIAL				
	UNLESS OTHERWISE SPECIFIED DIMENSIONS ARE IN INCHES AND INCLUDE CHEMICALLY APPLIED OR PLATED FINISHES	SCALE	1:1								
	DECIMALS .X ± .05 .XX ± .01 .XXX ± .005	FRACTIONS ± 1/64 ANGLES ± 0° 30'	CODE				TYPE & TEMPER S245-SILVER PLATE .0003	HEAT TREAT. SPEC.	DRAWN 8-29-63	CHECKED aa	FINAL APPROVAL Rae
	TOLERANCES						FINISH & SPEC. NO.		ELEC. DES. APP. DRB	MECH. DES. APP. 12/64	MS-3335 0