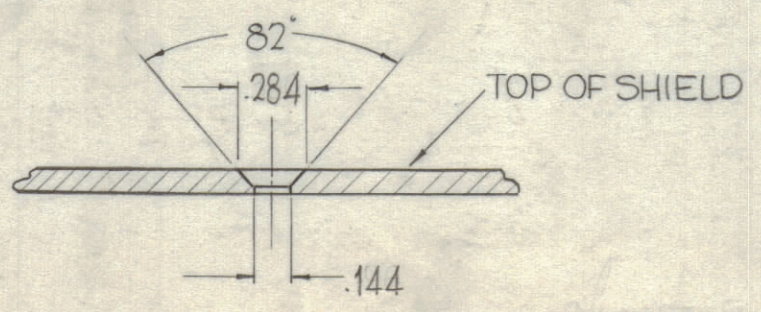


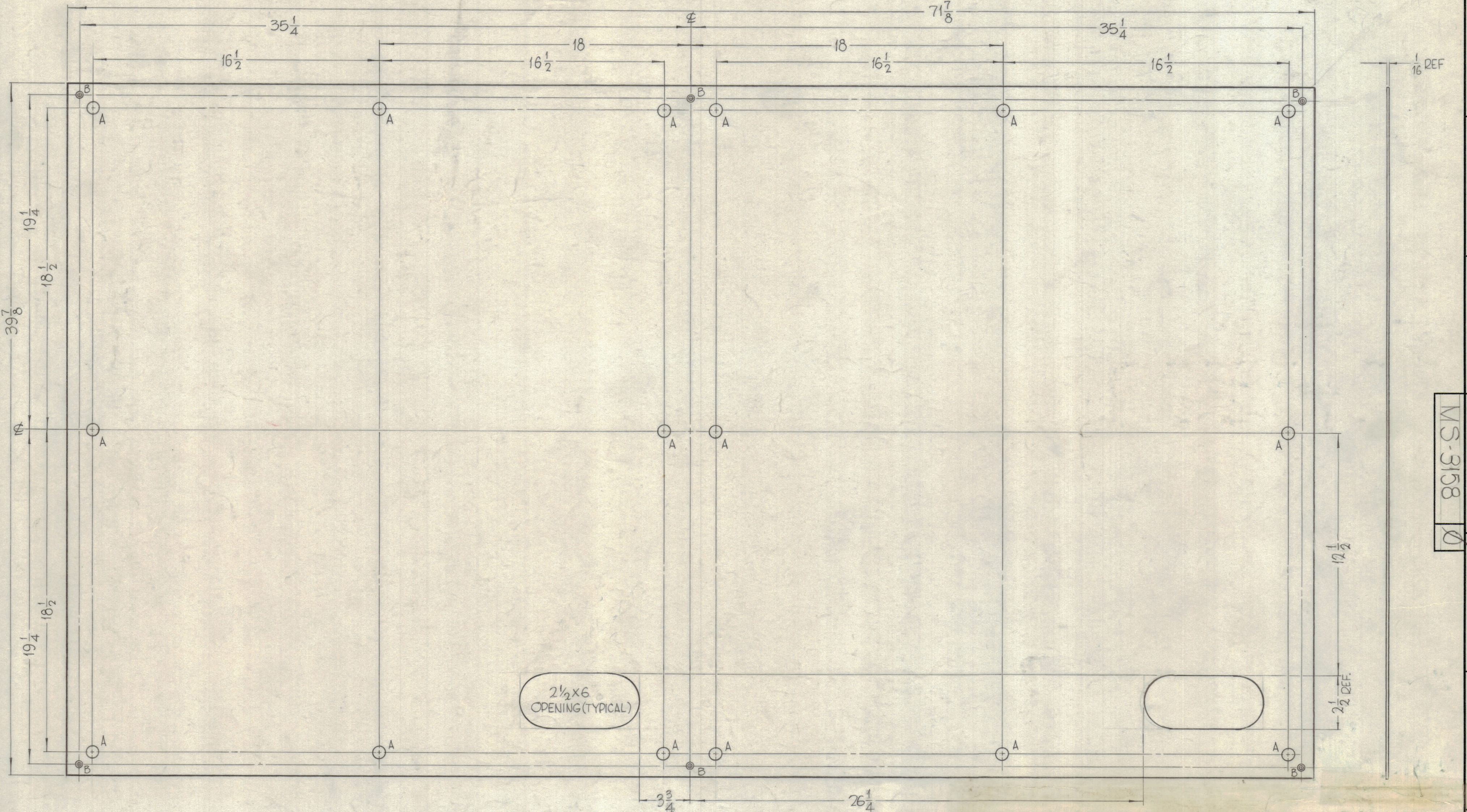
HOLES

A - 11/16 DIA. 16 REQ.



"B" DETAIL — 6 REQ.

REVISIONS						
ZONE	SYM	DESCRIPTION	DATE	E.M.N. NO.	DRAFT	CHKD
		ORIGINAL RELEASE	7/15/69			



MS-3158

MATERIAL 1/16 THICK, ALUMINUM, 5052-H-32		THE TECHNICAL MATERIEL CORP. MAMARONECK, NEW YORK			
FINISH S404-IRIDITE		TITLE SHIELD, BASE, POWER SUPPLY A, B			
QTY./UNIT	MODEL USED ON	ASS'Y. NO.	DRAWN	DATE	FINAL APPROVAL
1	GPT-200K	AP-109, AP-111	John C Biele	2-16-63	[Signature]
SCALE	CODE		CHECKED	DATE	DATE
1/16			[Signature]	7/15/69	7/15/69
UNLESS OTHERWISE SPECIFIED DIMENSIONS ARE IN INCHES AND INCLUDE CHEMICALLY APPLIED OR PLATED FINISHES			ELECT. DES.	DATE	
DECIMALS .X ± .05 .XX ± .01 .XXX ± .005			MECH. DES.	DATE	
FRACTIONS ± 1/64 ANGLES ± 0° 30'			MS-3158		
TOLERANCES			SHEET		REV. LTR.

NOTES

THE CONTENTS OF THIS DRAWING ARE THE EXCLUSIVE PROPERTY OF THE TECHNICAL MATERIEL CORP. ITS UNAUTHORIZED USE OR REPRODUCTION IN WHOLE OR IN PART IS STRICTLY FORBIDDEN.