

THE CONTENTS OF THIS DRAWING ARE THE EXCLUSIVE PROPERTY OF THE TECHNICAL MATERIEL CORP. ITS UNAUTHORIZED USE FOR REPRODUCTION IN WHOLE OR IN PART IS STRICTLY FORBIDDEN.

REQ. PER UNIT

USED ON

MODEL

ASS'Y. NO.

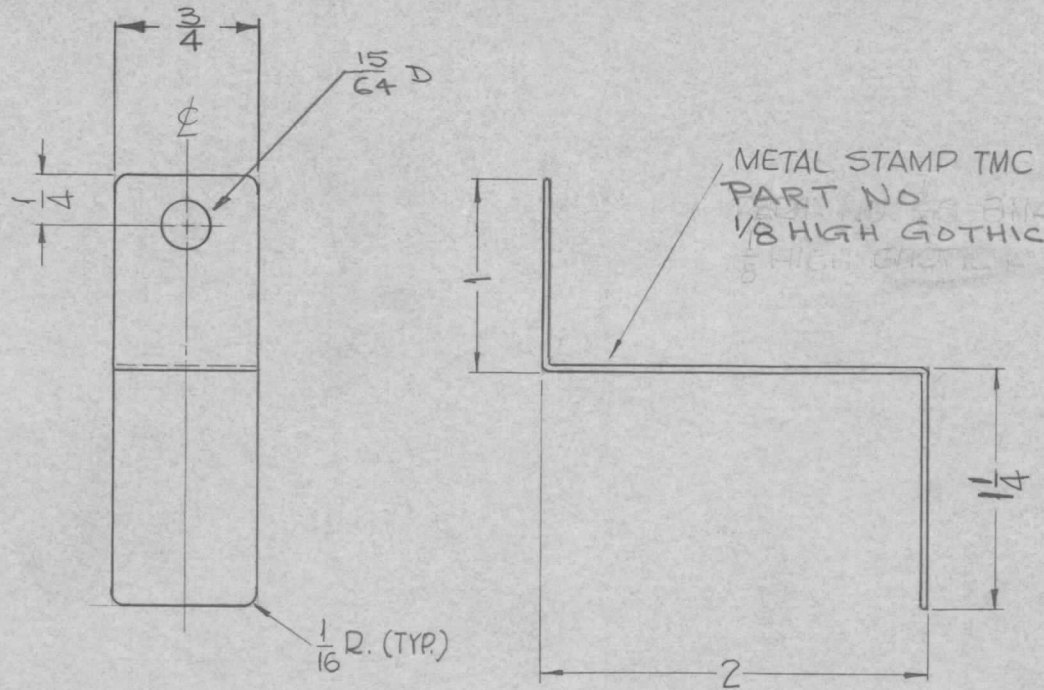
DATE

1

TER-5000-3000

3-29-63

MS-3114 A



HOLE

15.64 DIA. (REQ.)

METAL STAMP TMC
PART NO. MS-3114
1/8 HIGH GOTHIC

1/16 R. (TYP.)

REQ.	ITEM	PART NO.	F. BUDETTI DESCRIPTION				SYMBOL
			.030 THICK				THE TECHNICAL MATERIEL CORP. MAMARONECK, NEW YORK
			STOCK SIZE				
			COPPER				STRAP, COIL TOP
			MATERIAL				
			SOFT		SRG	aa	BP
			TYPE & TEMPER	HEAT TREAT. SPEC.	DRAWN	CHECKED	FINAL APPROVAL
			NONE		OB		
			FINISH & SPEC. NO.	ELEC. DES. APP.	MECH. DES. APP.	MS-3114 A	

UNLESS OTHERWISE SPECIFIED DIMENSIONS ARE IN INCHES AND INCLUDE CHEMICALLY APPLIED OR PLATED FINISHES

DECIMALS
.X ± .05
.XX ± .01
.XXX ± .005

FRACTIONS
± 1/64
ANGLES
± 0° 30'

TOLERANCES

SCALE

CODE