

IF IT IS FOUND DESIRABLE TO CHANGE ANY TOLERANCE OR OTHER DETAIL SPECIFIED ON THIS DRAWING NOTIFY THE PURCHASER PROMPTLY.

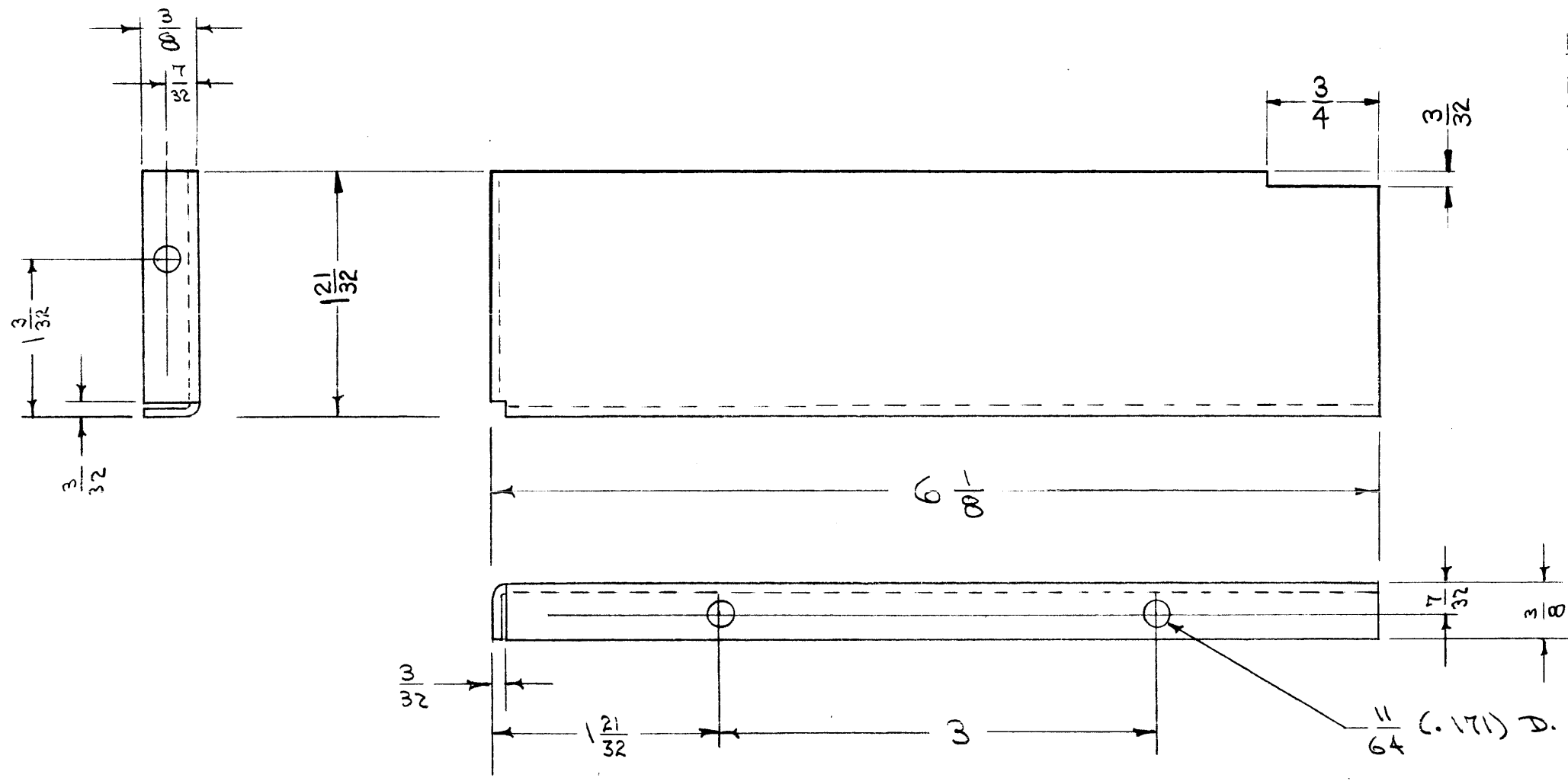
MAXIMUM ALLOWABLE TOLERANCES HAVE BEEN DETERMINED AND DEVIATIONS WILL BE CAUSE FOR REJECTION. REMOVE ALL BURRS AND SHARP EDGES

MS-321 C

NOTICE TO PERSONS RECEIVING THIS DRAWING

THE TECHNICAL MATERIEL CORPORATION claims proprietary right in the material disclosed hereon. This drawing is issued in confidence for engineering information only and may not be reproduced or used to manufacture anything shown hereon without permission from THE TECHNICAL MATERIEL CORPORATION to the user. This drawing is loaned for mutual assistance and is subject to recall at any time.

Property of:
THE TECHNICAL MATERIEL CORPORATION
MAMARONECK, NEW YORK



3 HOLES REQ.

C	1	1-21/32 WAS 1-7/8	7-6-62	6885	R.T.	<i>[Signature]</i>	<i>[Signature]</i>
B	1	S-404 WAS S-101	7/1/59	1001	AB		EMN
A	1	COMPLETE REVISION	7/1/59	1	ESD	<i>[Signature]</i>	<i>[Signature]</i>

ISSUE	ITEM	CHANGED FROM	DATE	CN. NO.	DRAFTS	CHECKER	ENG. APP.
TOLERANCES		SCALE:					
ALL OTHERS	DEC. DIM. ±	DRILL, PUNCH, COMMERCIAL STOCK SIZES AND MANUFACTURERS TOLERANCES ARE NOT INCLUDED.					
	FRAC. DIM. ±						
	ANGULAR DIM. ±						

1	VOX = 1/2			1-20-55
1	VOX			1-20-55
REQ. PER UNIT	MODEL	PROJECT NO.	ASS'Y. NO.	DATE
USED ON				

REQ.	ITEM	PART NO.	DESCRIPTION	SYMBOL
		.051	THE TECHNICAL MATERIEL CORP.	
		STOCK SIZE	MAMARONECK, NEW YORK	
	ALUMINUM	#	COVER, IFO SHIELD	
		WEIGHT PER PC.	RF CHASSIS	
	52S H32		C.D.D. 1-20-55	<i>[Signature]</i>
		TYPE & TEMPER	DRAWN	ELEC. DES. APP.
			<i>[Signature]</i>	<i>[Signature]</i>
		HEAT TREAT. SPEC.	CHECKED	FINAL APPROVAL
		S-404 YELLOW IRIDITE		
		FINISH & SPEC. NO.	MS-321	C