

IF IT IS FOUND DESIRABLE TO CHANGE ANY TOLERANCE OR OTHER DETAIL SPECIFIED ON THIS DRAWING NOTIFY THE PURCHASER PROMPTLY.

UNLESS OTHERWISE SPECIFIED DIMENSIONS ARE IN INCHES AND INCLUDE CHEMICALLY APPLIED OR PLATED FINISHES

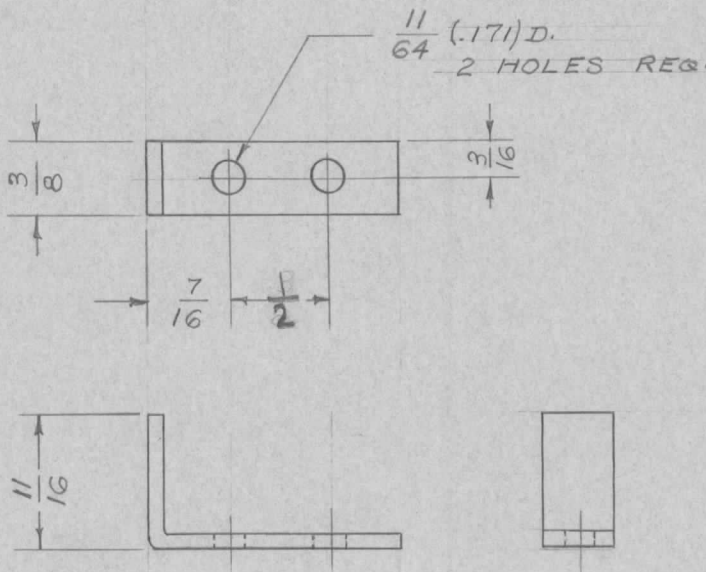
MS-305 A

MAXIMUM ALLOWABLE TOLERANCES HAVE BEEN DETERMINED AND DEVIATIONS WILL BE CAUSE FOR REJECTION. REMOVE ALL BURRS AND SHARP EDGES

DECIMALS	TOLERANCES	FRACTIONS
X ± .05		± 1/64
.XX ± .01		ANGLES ± 0° 30'
.XXX ± .005		

CUT HERE
OUTWARRANTED
2/66

REQ. PER UNIT	USED ON			
	MODEL	PROJECT NO.	ASS'Y. NO.	DATE
1	VOX		A-424	8-15-55



BLANK SIZE
3/8 x 1 13/16

REQ.	ITEM	PART NO.	DESCRIPTION	SYMBOL
		.081	THE TECHNICAL MATERIEL CORP.	
		STOCK SIZE	MAMARONECK. NEW YORK	
	ALUMINUM	#	PILOT LIGHT BRACKET	
	MATERIAL	WEIGHT PER PC.	VOX	
		52 S H 32		
	TYPE & TEMPER		AP-8-15-55	
		#	DRAWN	ELEC. DES. APP. MECH. DES. APP.
	HEAT TREAT. SPEC.		JADe	WOC
	FINISH & SPEC. NO.	S404 IRIDITE DIP	CHECKED	FINAL APPROVAL
				MS-305 A

A	1	S404 - IRIDITE WAS S101 - CAUSTIC DIP	12-7 52	1001	P	EMN	
-	+	REDRAWN NO CHANGE	8/15/55	+	16	JADe WOC	
ISSUE	ITEM	CHANGED FROM	DATE	CN. NO.	DRAFTS	CHECKER	ENG. APP.

TOLERANCES		SCALE
ALL OTHERS	DEC. DIM. ± FRAC. DIM. ± 1/64 ANGULAR DIM. ±	DRILL, PUNCH, COMMERCIAL STOCK SIZES AND MANUFACTURERS TOLERANCES ARE NOT INCLUDED.