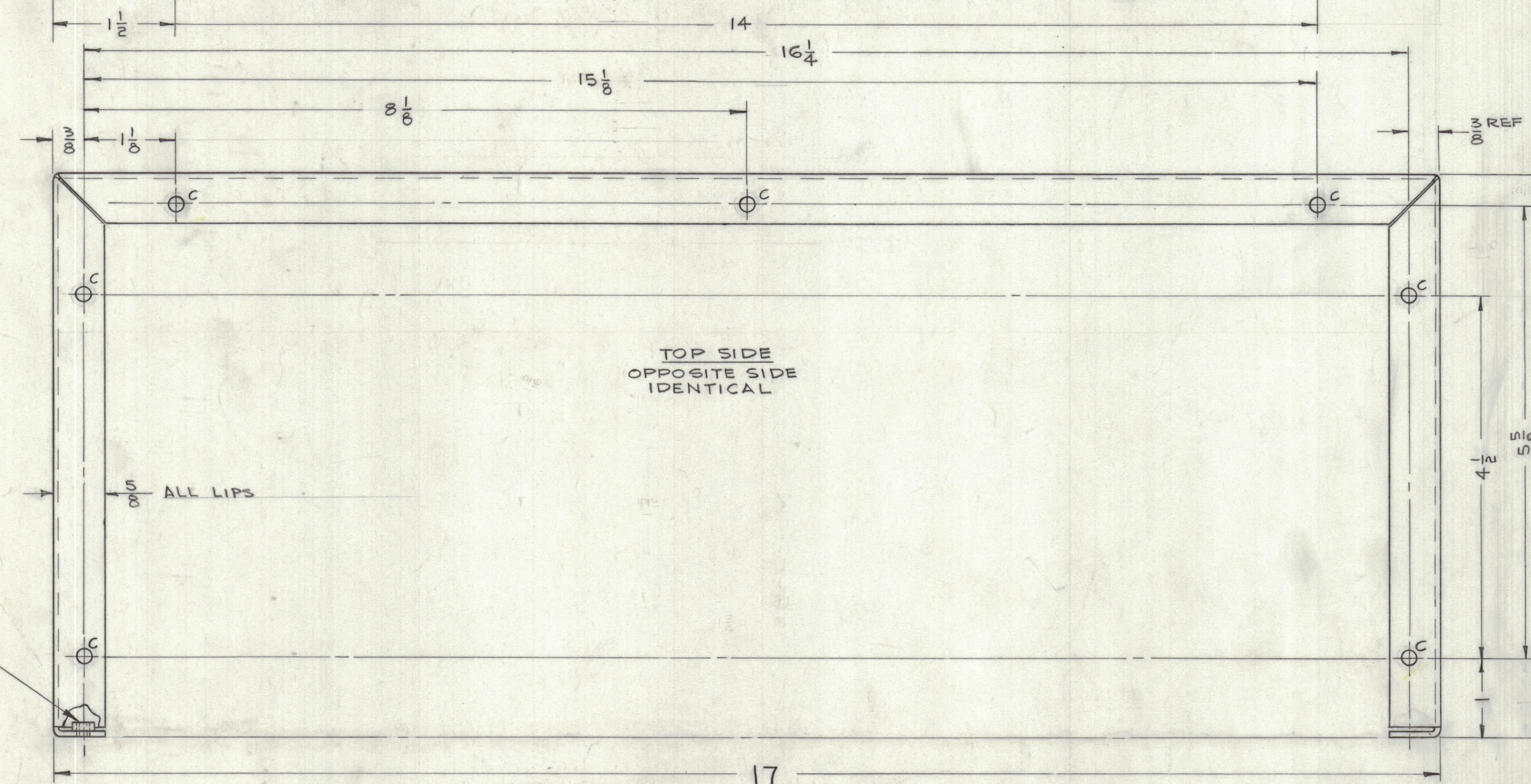
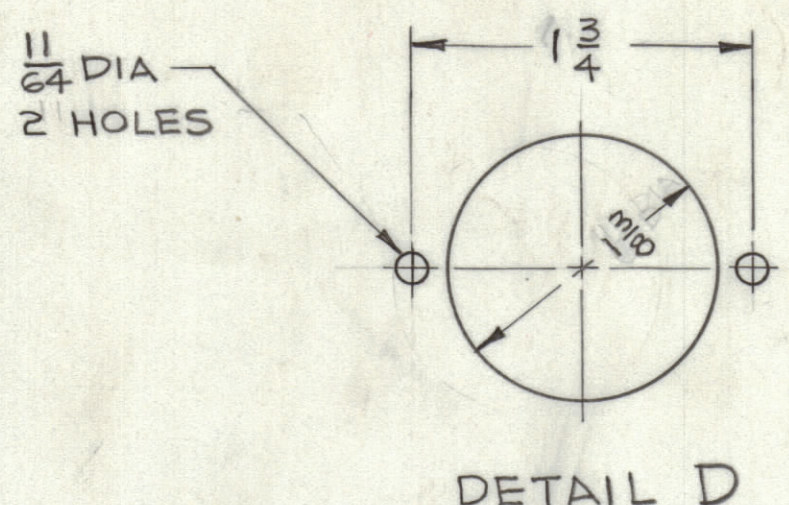
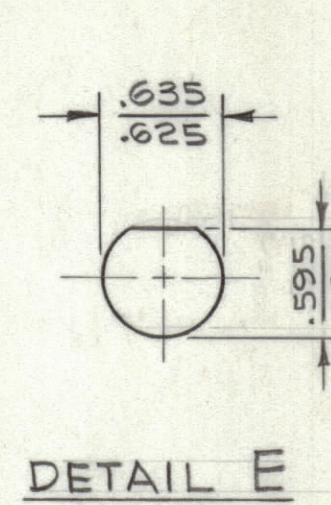
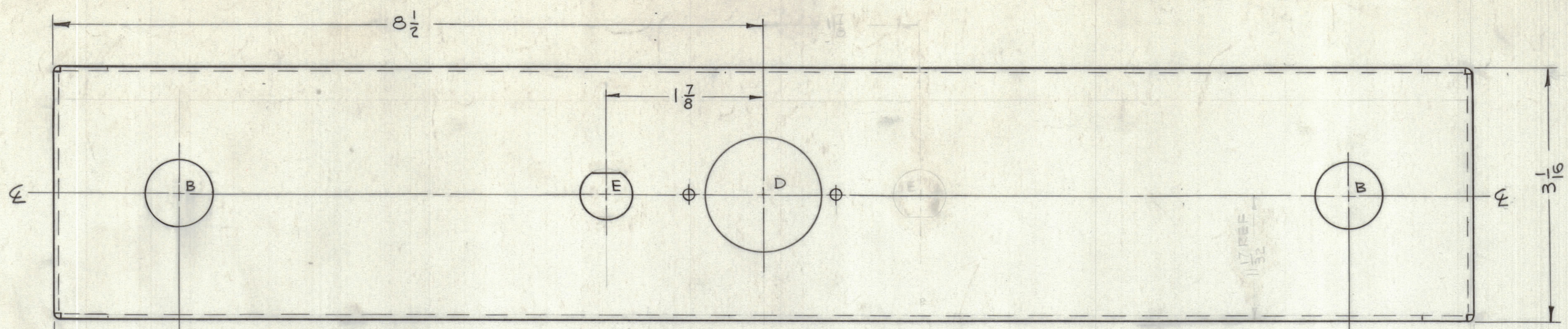
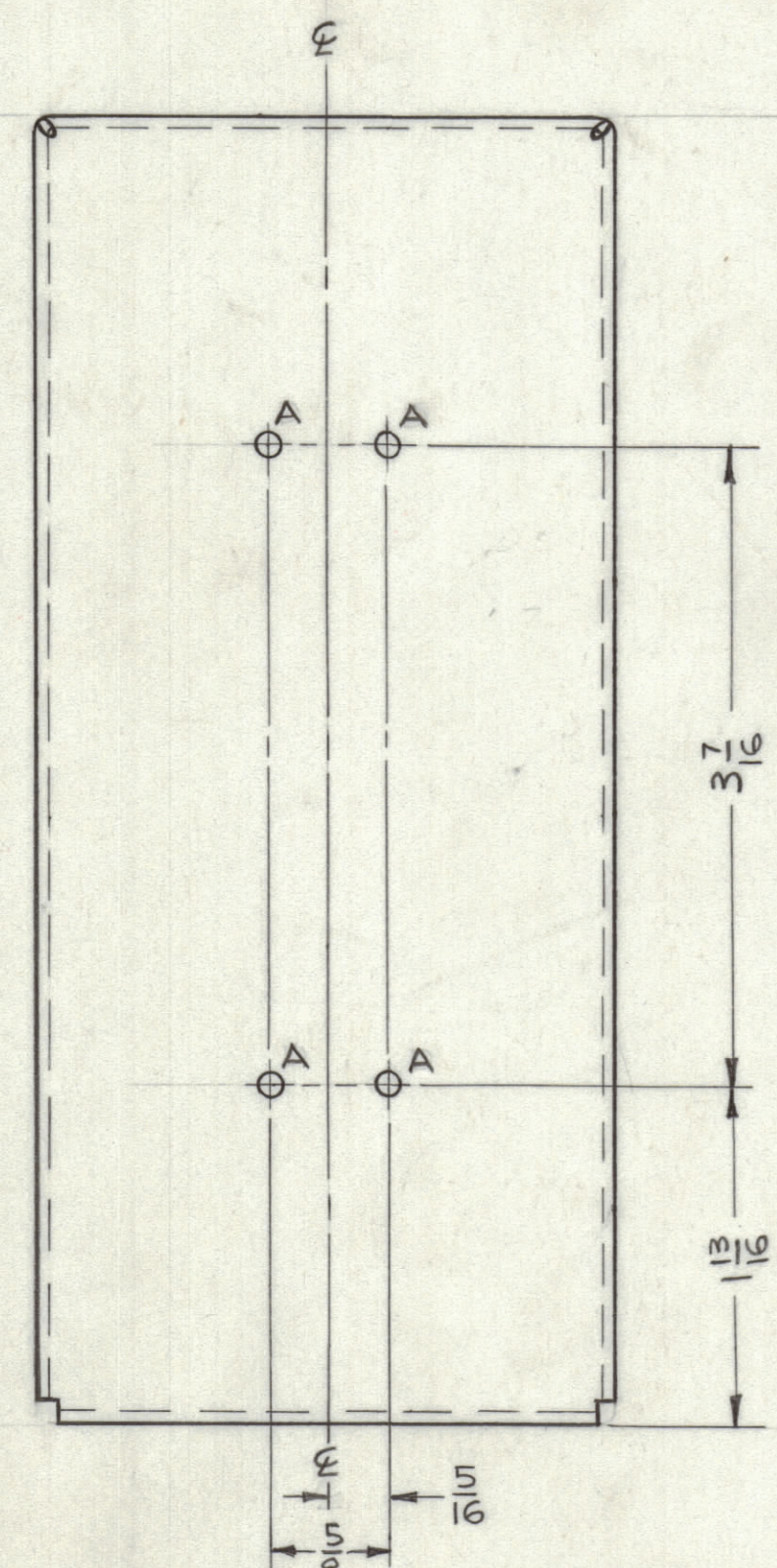


REVISIONS			DATE	E.M.N. NO.	DRAFT	CHKD	APPD
ZONE	SYM	DESCRIPTION					

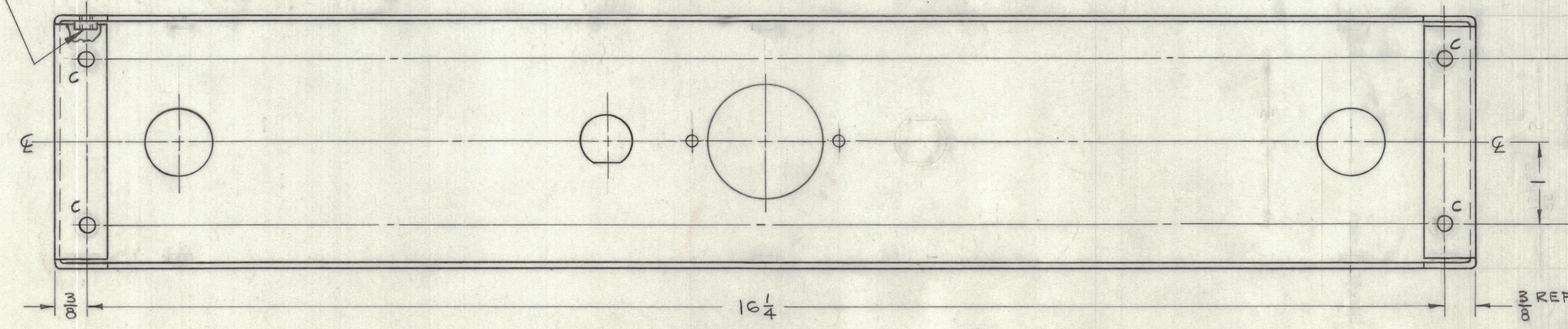


SWAGE
IN 18 "C" HOLES
AS SHOWN



RIGHT SIDE
OPPOSITE SIDE
IDENTICAL

HOLE	DESCRIPTION	REQ'D
A	11/64 DIA	8
B	13/16 DIA	2
C	.104 DIA	18
D	SEE DETAIL D	1
E	SEE DETAIL E	1



USE MATERIAL THICKNESS FOR MAX. RADIUS
ON ALL BENDS UNLESS OTHERWISE SPECIFIED

NOTES

1	DCP-2	ASBY. NO.
SCALE	FULL	CODE
THE CONTENTS OF THIS DRAWING ARE THE EXCLUSIVE PROPERTY OF THE TECHNICAL MATERIEL CORP. ITS UNAUTHORIZED USE OR REPRODUCTION IN WHOLE OR IN PART IS STRICTLY FORBIDDEN.		

REQ'D. 18		ITEM 1		PART NUMBER NT-129-632-4		DESCRIPTION NUT, ROUND, SWAGE TYPE		SYMBOL	
MATERIAL .064 THK ALUM					THE TECHNICAL MATERIEL CORP. MAMARONECK, NEW YORK				
FINISH S-404 YEL IRIDITE					TITLE CHASSIS, MAIN DCP-2				
DRAWN		DATE 2-12-63		FINAL APPROVAL		DATE			
CHECKED		DATE 3-11-63		ELECT. DES.		DATE 5-11-63		MS-3089	
MECH. DES.		DATE 3-7-63		SHEET		REV. LTR.			

MS-3089