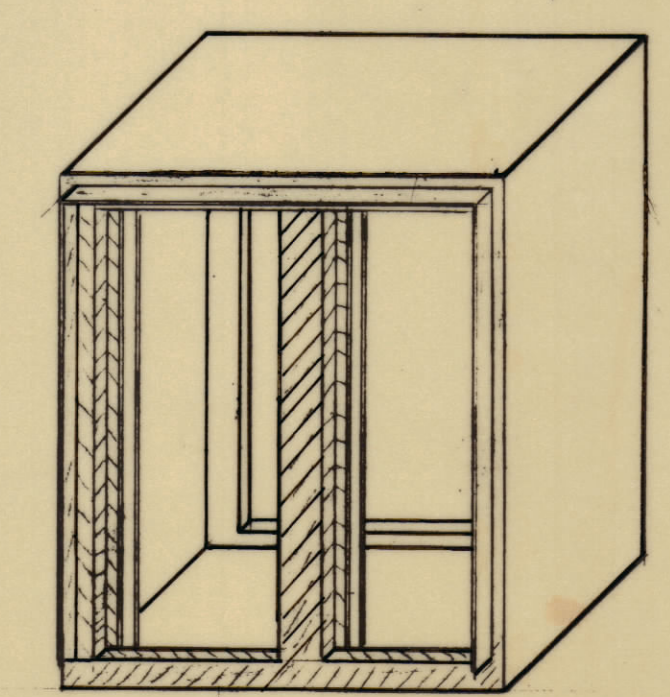
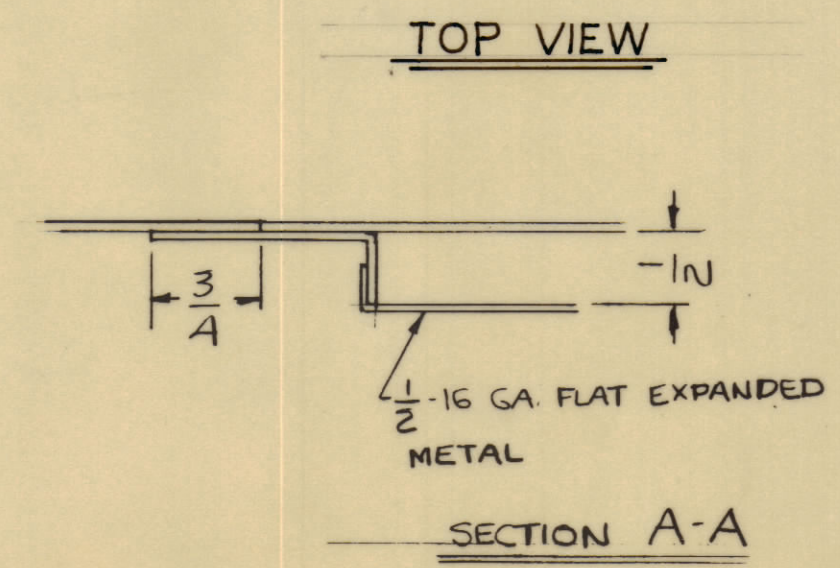
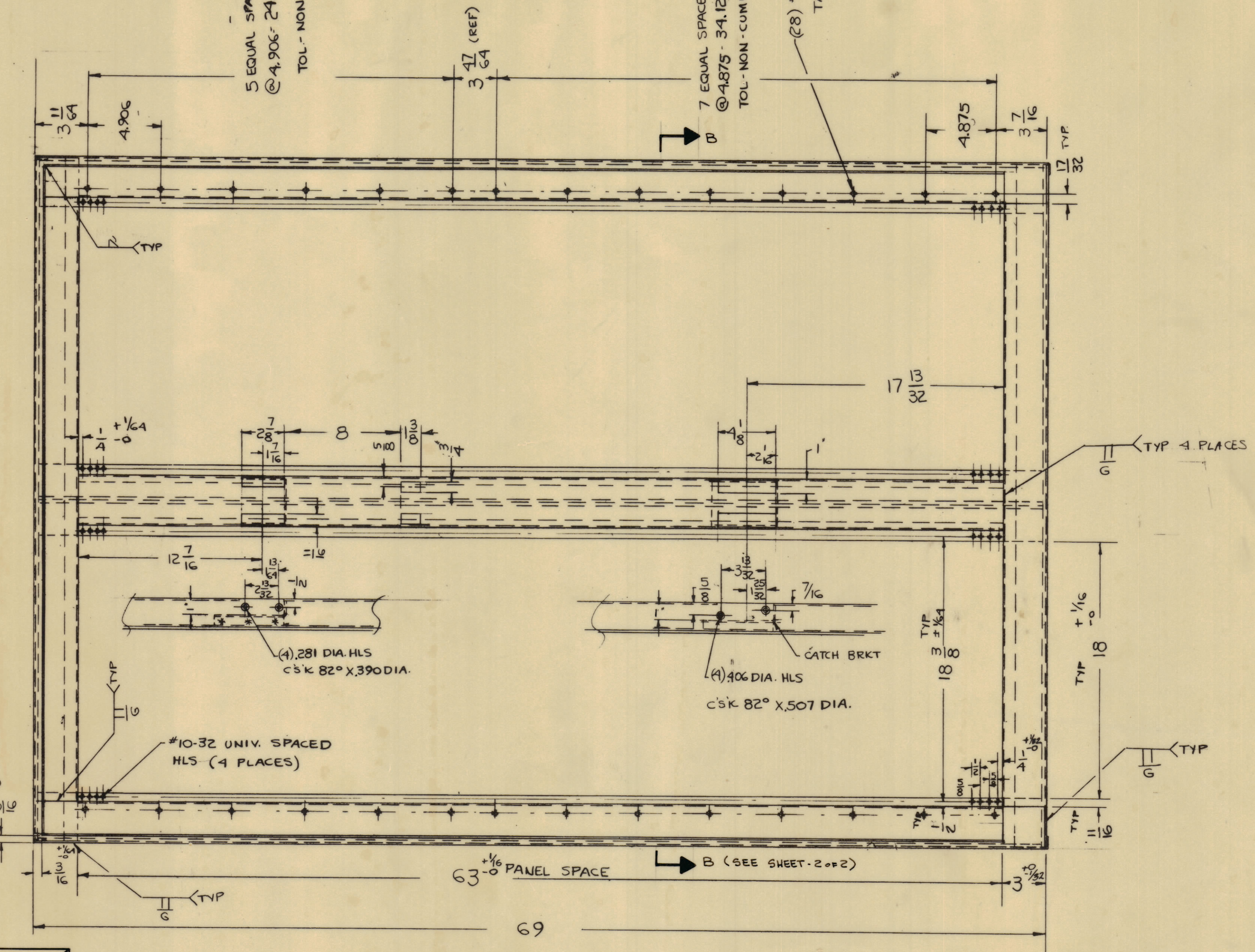
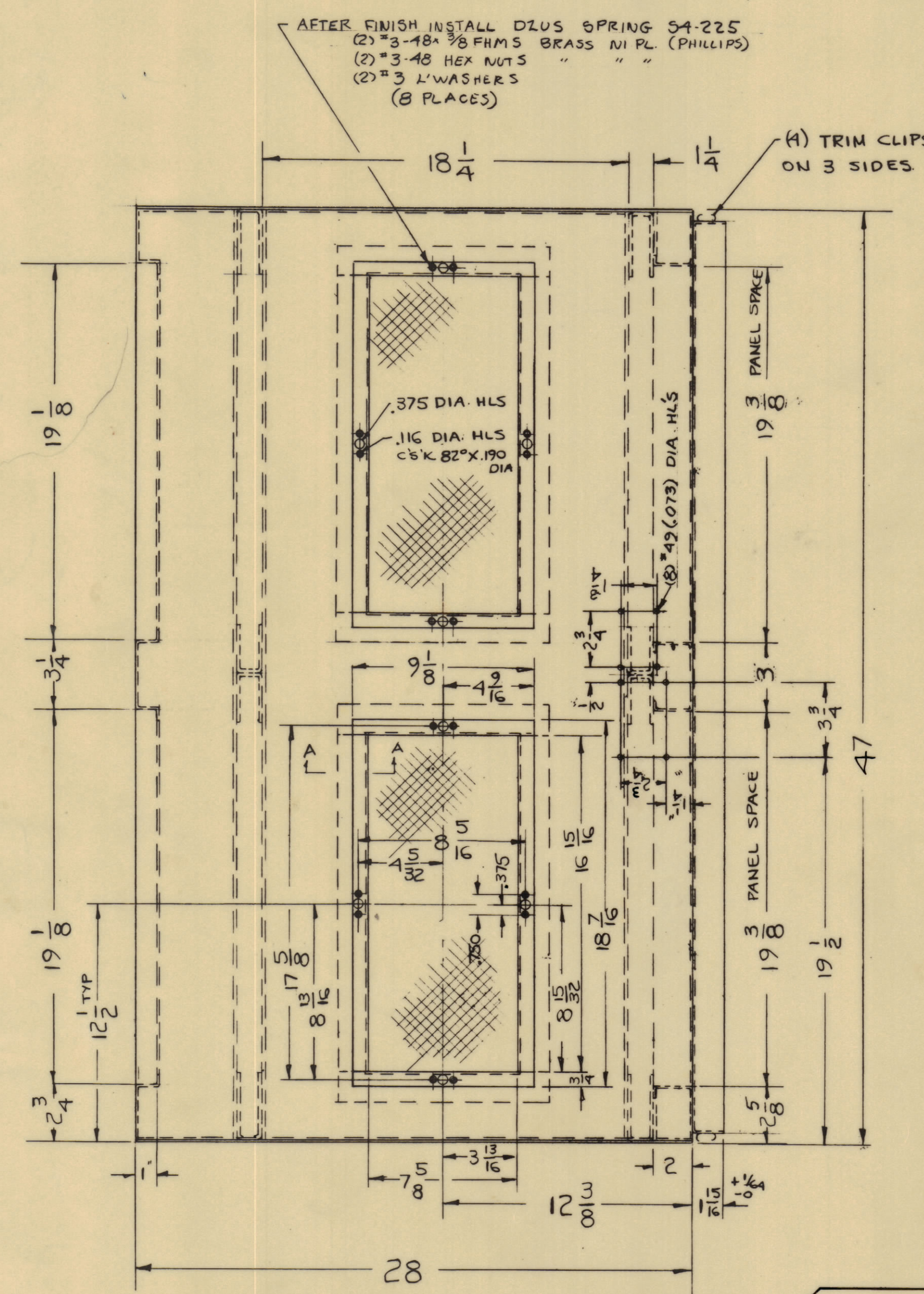


ZONE	SYM	DESCRIPTION	DATE	E.M.N. NO.	DRAFT	CHKD	APPD
X		EXPER. RELEASE	5-28-64				
O		ORIGINAL RELEASE FOR PRODUCTION	5-28-64		A.M.		



ENTIRE FRONT OF CABINET TO BE PAINTED DULL BLACK

SHADED AREA TO BE PAINTED BLACK

- NOTES
- MAT. IS 16 GA. STL UNLESS OTHERWISE NOTED.
 - SPOTWELDED CONSTRUCTION UNLESS OTHERWISE NOTED.
 - NO SPOTWELD MARKS OR ANY OTHER IMPERFECTIONS SHALL BE SEEN FROM THE OUTSIDE.
 - 19 1/8 & 63 DIM (PANEL SPACE) TO BE SQ & PARALLEL WITHIN 1/32.
 - CABINET TO BE SQ. WITHIN 1/32.
 - TOP & BOTTOM CHANNEL SUPPORTS TO BE WELDED SECURELY TO CHANNEL UPRIGHTS.
 - FINISH:
 - DEGREASE & CLEAN
 - ZINC CHROMATE PRIMER ALL OVER (HARTIN)
 - 1 COAT TEXTURED BLUE COROTEX (DURALAC) ON OUTSIDE & EDGES ONLY. INSIDE TO BE NON TEXTURED
 - MASK HINGE PIN HLS
 - MASK & PAINT OPTICAL BLACK (SEE VIEW AT LEFT)
 - FILL WHERE NECESSARY.

UNLESS OTHERWISE SPECIFIED DIMENSIONS ARE IN INCHES AND INCLUDE CHEMICALLY APPLIED OR PLATED FINISHES		
DECIMALS	FRACTIONS	TOLERANCES
± .01	± 1/64	± .005
± .005	± .005	± .005

QTY/UNIT	MODEL USED ON	ASSY NO.
1	RAK-22	A 3594
SCALE	CODE	
+	A	

REQ'D.	ITEM	PART NUMBER	DESCRIPTION	SYMBOL
1	3	MS 3093	DUCT, AIR, CENTER	
1	2	MS 3098-2	DUCT, AIR	
1	1	MS 3098-1	DUCT, AIR	

T. KRUY LIST OF MATERIAL

MATERIAL	TITLE
SEE NOTE 1	THE TECHNICAL MATERIEL CORP. MAMARONECK, NEW YORK
SEE NOTE 7	RACK, DUAL

FINISH	DATE	FINAL APPROVAL	DATE
SEE NOTE 7	3-20-64	[Signature]	
	4-27-64	[Signature]	

DECIMALS	FRACTIONS	ELECT. DES.	MELN. DES.	DATE
± .01	± 1/64			
± .005	± .005			

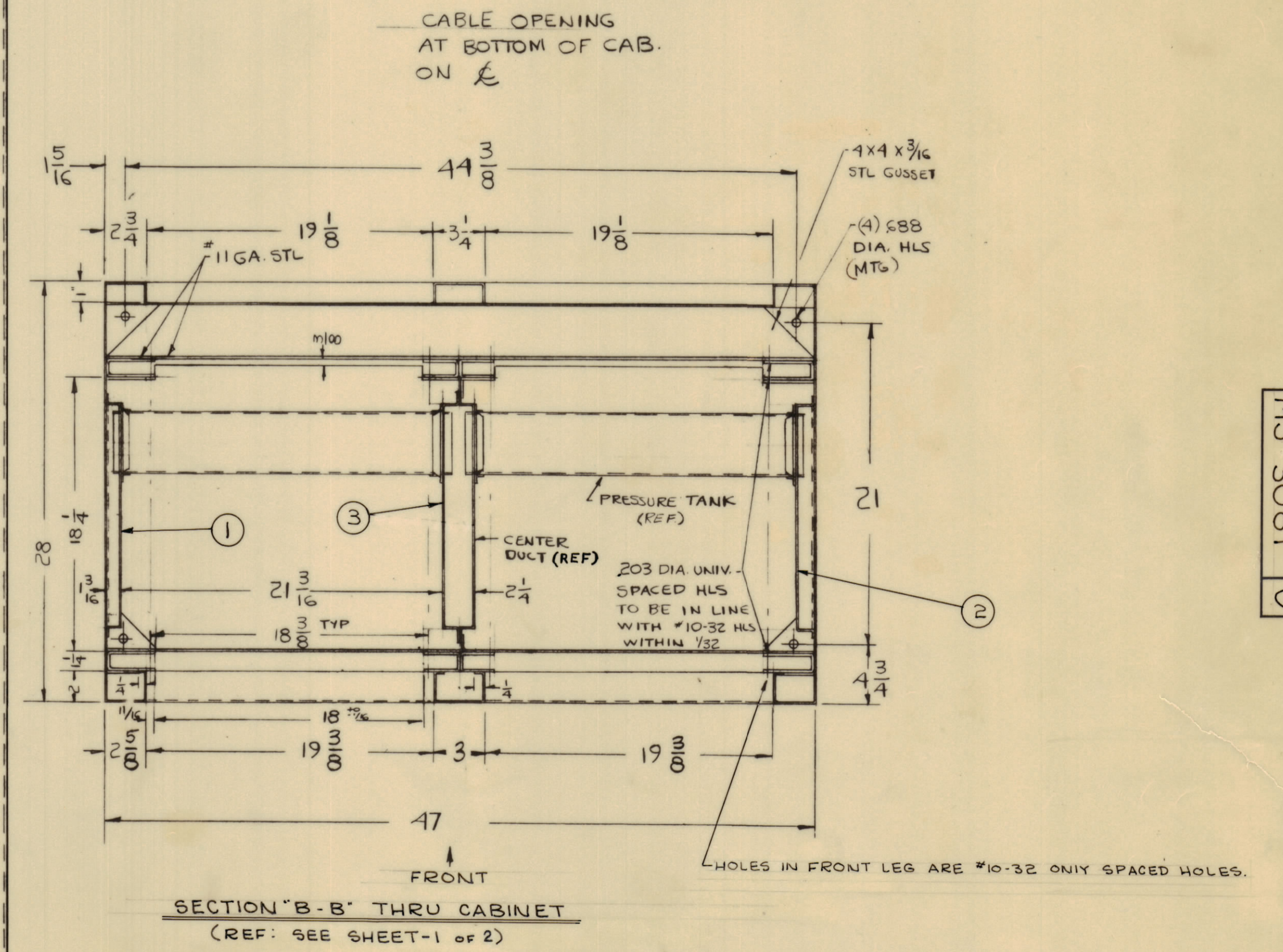
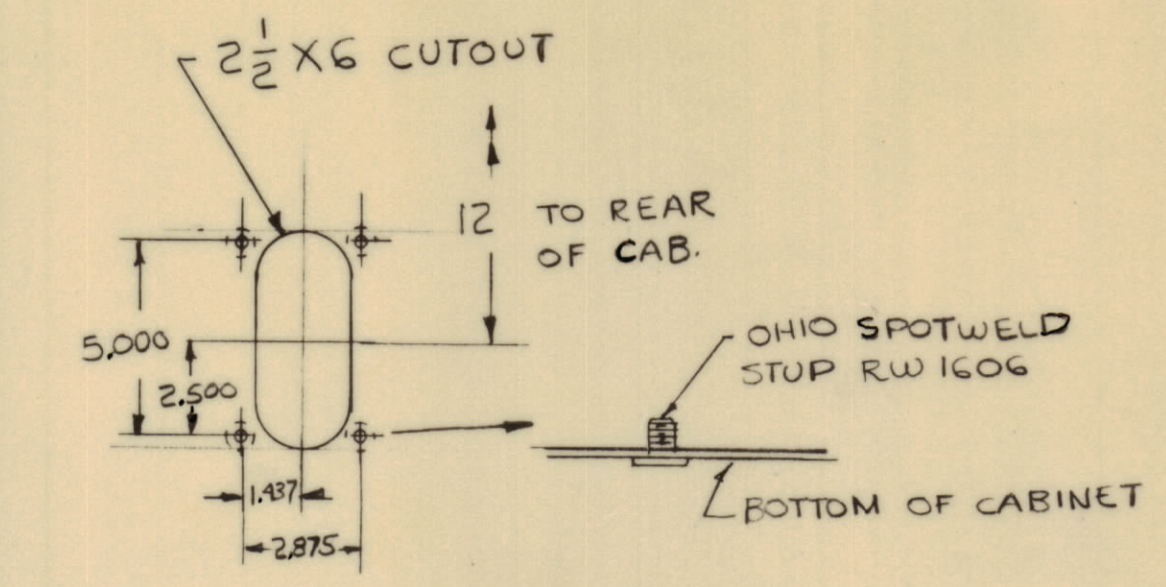
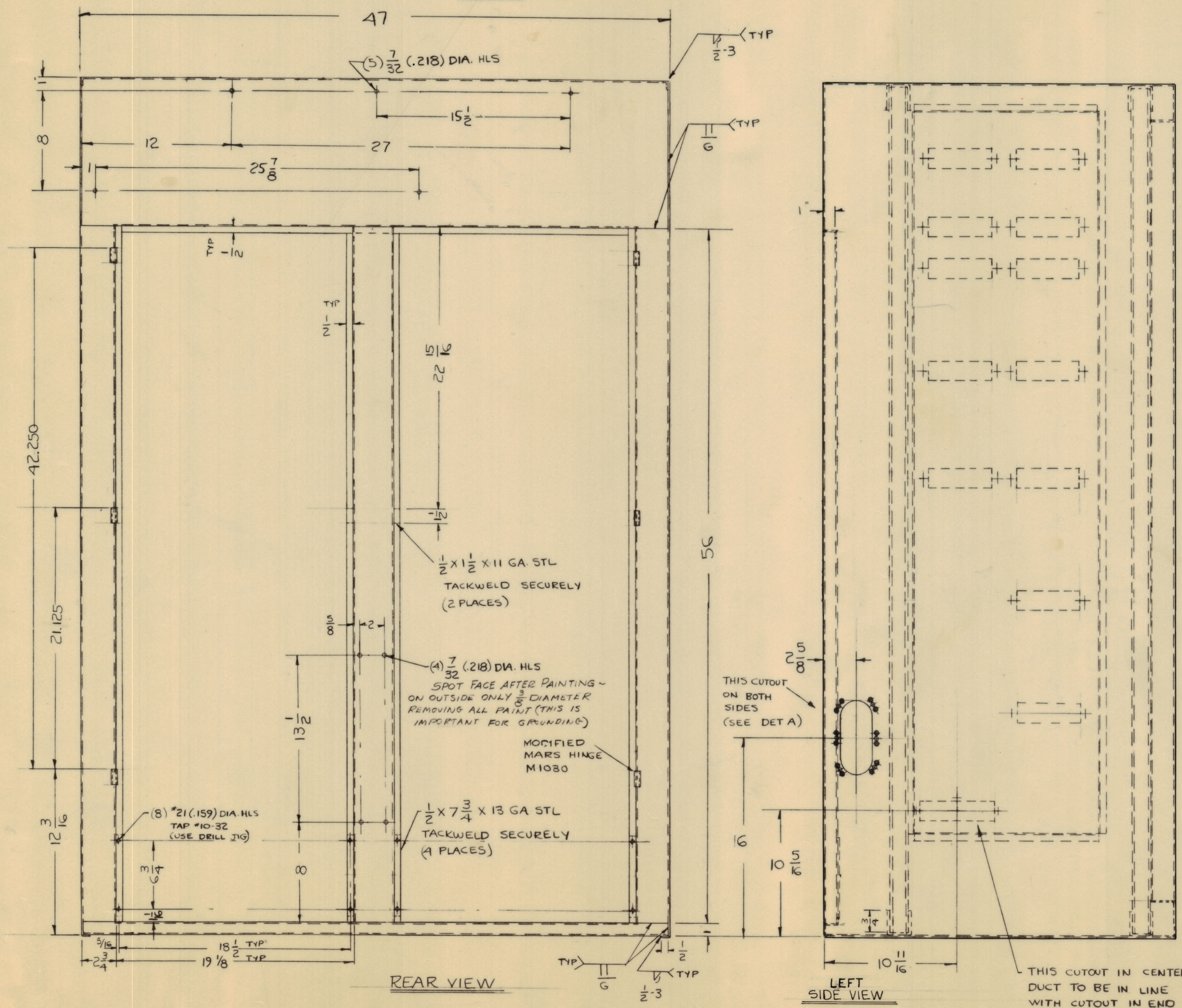
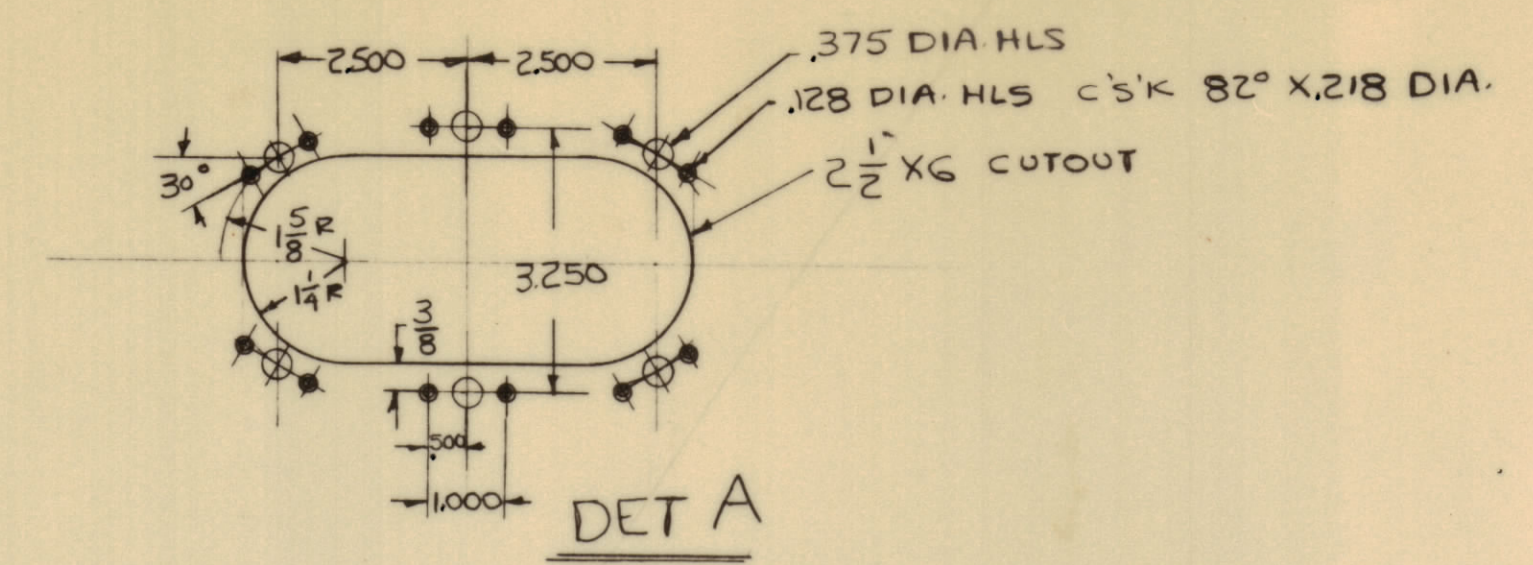
THE CONTENTS OF THIS DRAWING ARE THE EXCLUSIVE PROPERTY OF THE TECHNICAL MATERIEL CORP. ITS UNAUTHORIZED USE OR REPRODUCTION IN WHOLE OR IN PART IS STRICTLY FORBIDDEN.

MS 3081

SHEET 1 OF 2

REV LTR.

ZONE		REVISIONS			DATE	E.M.N. NO.	DRAFT	CHKD	APPD
X		EXPER. RELEASE			2-20-64	X			
O		ORIGINAL RELEASE FOR PRODUCTION			5-28-64	O	A.M.	@	TDK



THIS CUTOUT IN CENTER DUCT TO BE IN LINE WITH CUTOUT IN END DUCTS

REQ'D.	ITEM	PART NUMBER	DESCRIPTION	SYMBOL
	T. KRUY		LIST OF MATERIAL	
	SEE NOTES (SHEET-1 of 2)		THE TECHNICAL MATERIEL CORP.	
			MAMARONECK, NEW YORK	
	SEE NOTES (SHEET-1 of 2)		TITLE	RACK, DUAL
QTY./UNIT	MODEL USED ON	ASSY. NO.	DRAWN BY	DATE
SCALE	CODE		CHECKED	DATE
	A			

UNLESS OTHERWISE SPECIFIED DIMENSIONS ARE IN INCHES AND INCLUDE CHEMICALLY APPLIED OR PLATED FINISHES	DECIMALS XX ± .01 XXX ± .005	FRACTIONS ± 1/64 ANGLES ± 30'	MECH. DES. TAK	DATE	REV. LTR.
THE CONTENTS OF THIS DRAWING ARE THE EXCLUSIVE PROPERTY OF THE TECHNICAL MATERIEL CORP. ITS UNAUTHORIZED USE OR REPRODUCTION IN WHOLE OR IN PART IS STRICTLY FORBIDDEN.			DATE	MS 3081	Ø
			DATE	SHEET 2 of 2	REV. LTR.

NOTES

MS 3081 O