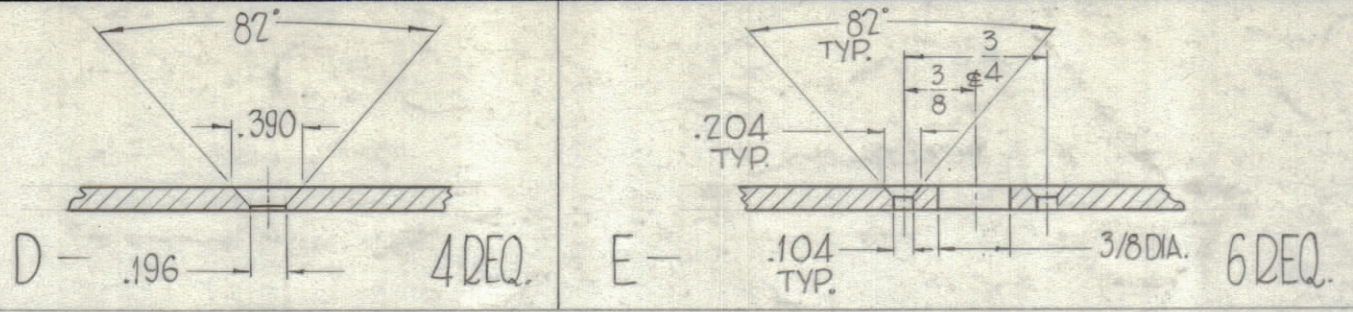
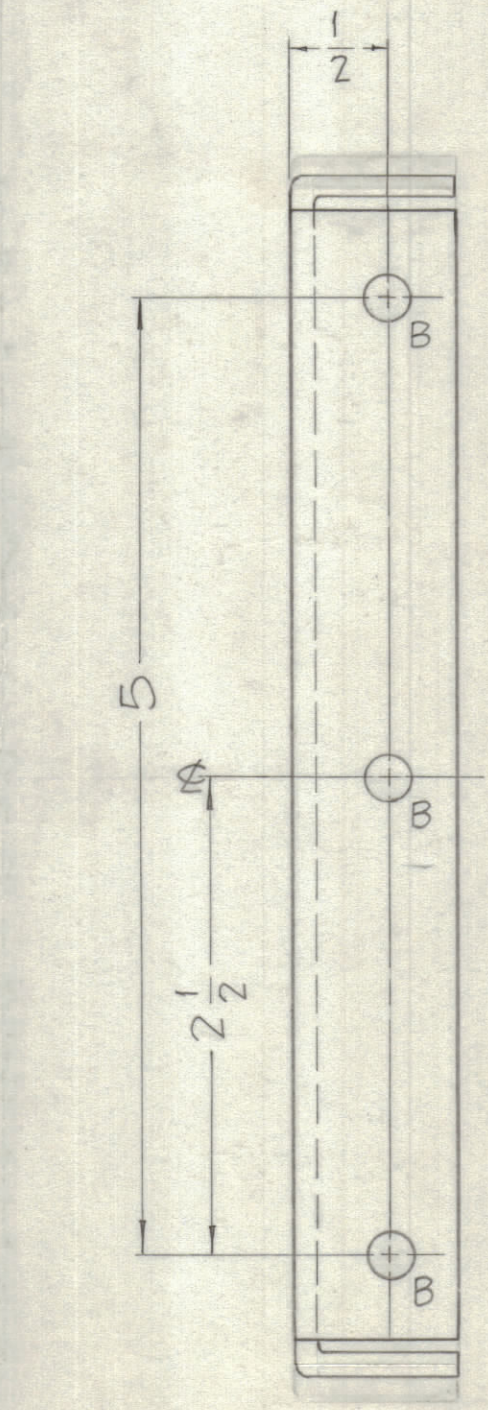
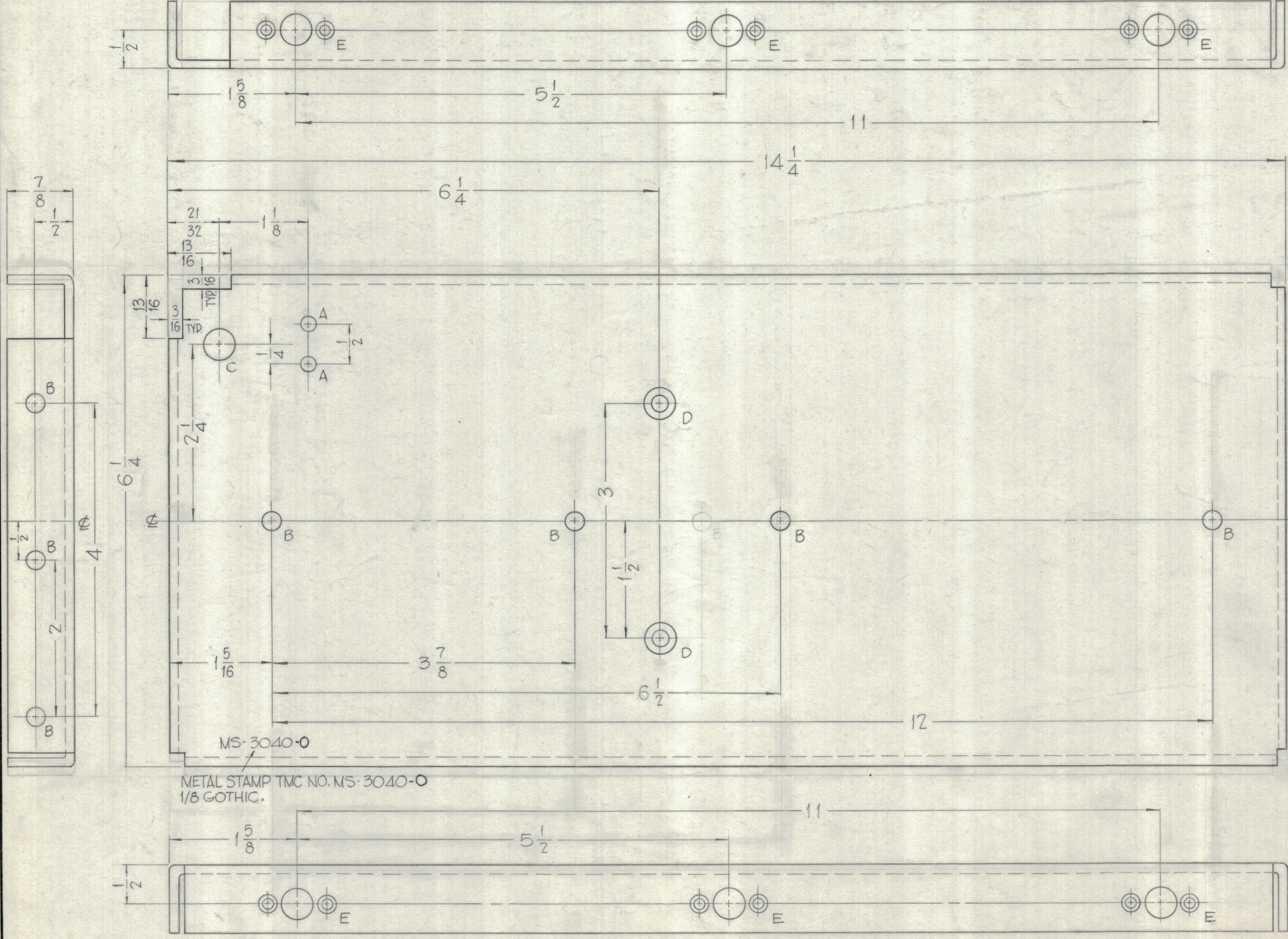


HOLES

- A - 11/64 DIA. 2 REQ.
- B - 7/32 DIA. 10 REQ.
- C - 3/8 DIA. 1 REQ.



REVISIONS							
ZONE	SYM	DESCRIPTION	DATE	E.M.N. NO.	DRAFT	CHKD	APPD
0		ORIGINAL RELEASE FOR PRODUCTION	3-3-64		A.M.		



MS-3040-0  
METAL STAMP TMC NO. MS-3040-0  
1/8 GOTHIC.

MS-3040-0

REQ'D.	ITEM	PART NUMBER	DESCRIPTION	SYMBOL
F. BUDETTI LIST OF MATERIAL				
MATERIAL 1/8 THICK, ALUMINUM, 5052, H-32			THE TECHNICAL MATERIEL CORP. MAMARONECK, NEW YORK	
FINISH 3404-IRIDITE			TITLE SIDE PLATE, RIGHT	
DRAWN		DATE	FINAL APPROVAL	
CHECKED		DATE	DATE	
ELECT. DES.		DATE	DATE	
MECH. DES.		DATE	DATE	
UNLESS OTHERWISE SPECIFIED DIMENSIONS ARE IN INCHES AND INCLUDE CHEMICALLY APPLIED OR PLATED FINISHES			MS-3040-0	
DECIMALS .X ± .05 .XX ± .01 .XXX ± .005		FRACTIONS ± 1/64 ANGLES ± 0° 30'		REV. LTR.

Q'TY./UNIT	MODEL USED ON	ASS'Y. NO.
1	GPT-200K	AX-398
SCALE	CODE	
1:1	A	

THE CONTENTS OF THIS DRAWING ARE THE EXCLUSIVE PROPERTY OF THE TECHNICAL MATERIEL CORP. ITS UNAUTHORIZED USE OR REPRODUCTION IN WHOLE OR IN PART IS STRICTLY FORBIDDEN.

NOTES