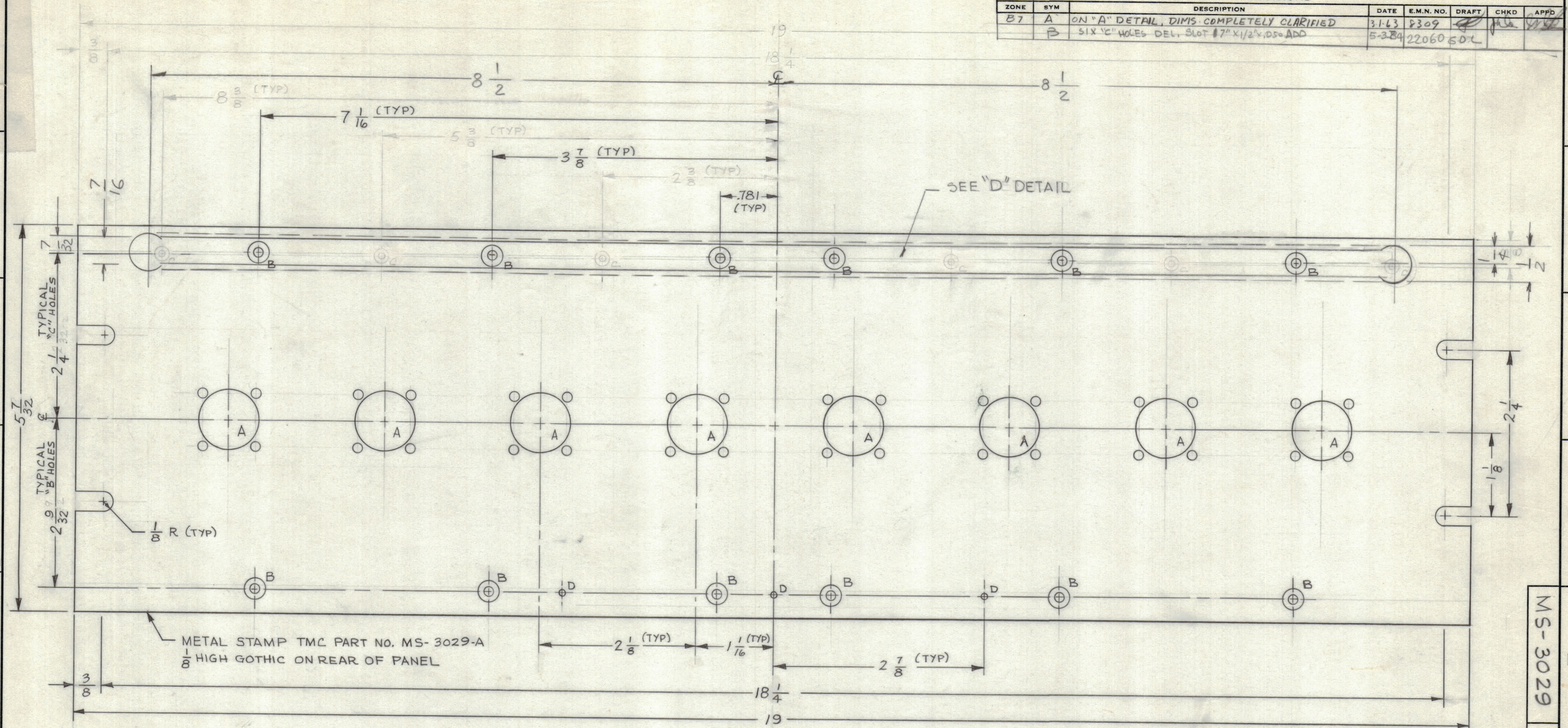


REVISIONS							
ZONE	SYM	DESCRIPTION	DATE	E.M.N. NO.	DRAFT	CHKD	APPD
B7	A	ON "A" DETAIL, DIMS COMPLETELY CLARIFIED	3-1-63	8309			
	B	SIX 1/2" HOLES DEL. SLOT 1/2" X 1/4" .050 ADD	5-28-64	22060	SDC		



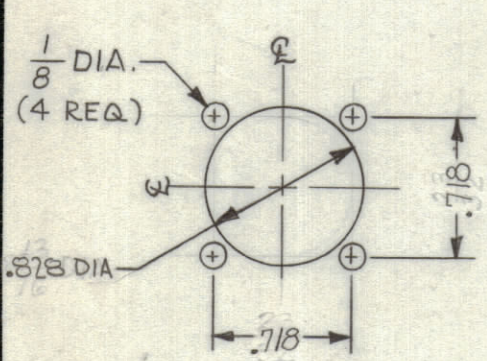
FRONT OF PANEL SHOWN

- HOLE LEGEND**
- A - SEE DETAIL - 8 REQ.
  - B - SEE DETAIL - 12 REQ.
  - C - SEE DETAIL - 6 REQ.
  - D - #47 DRILL (.078) DIA. - 3 REQ.

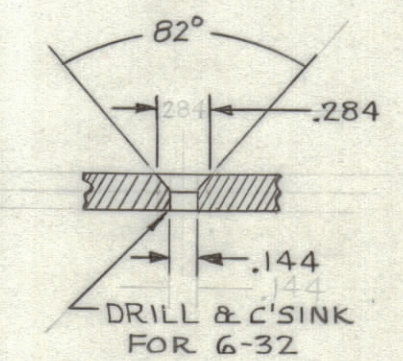
**NOTE: FINISH**

- S404 - YELLOW IRIDITE
- S114 - ZINC CHROMATE PRIMER
- S115 - SMOOTH GRAY ENAMEL

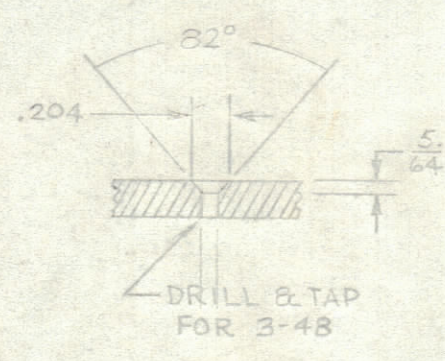
PAINT FRONT & EDGES ONLY, OR PRIME & PAINT TO CUSTOMERS SPECIFICATION.



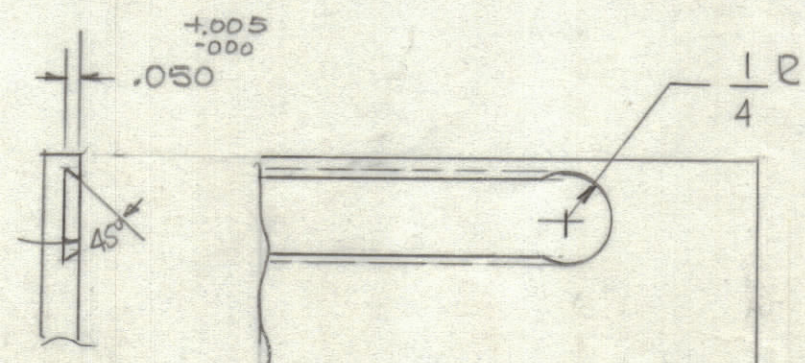
"A" HOLE DETAIL



"B" HOLE DETAIL



"C" HOLE DETAIL



DETAIL "D"

**NOTICE TO PERSONS RECEIVING THIS DRAWING**

THE TECHNICAL MATERIEL CORPORATION claims proprietary right in the material disclosed herein. This drawing is issued in confidence for engineering information only and may not be reproduced or used to manufacture anything shown hereon without permission from THE TECHNICAL MATERIEL CORPORATION to the user. No liability is loaned for mutual assistance and is subject to recall at any time.

Property of:  
THE TECHNICAL MATERIEL CORPORATION  
MAMARONECK, NEW YORK

**NOTES**

THE CONTENTS OF THIS DRAWING ARE THE EXCLUSIVE PROPERTY OF THE TECHNICAL MATERIEL CORP. ITS UNAUTHORIZED USE OR REPRODUCTION IN WHOLE OR IN PART IS STRICTLY FORBIDDEN.

REQ'D.	ITEM	PART NUMBER	DESCRIPTION	SYMBOL
<b>MARTINENGO LIST OF MATERIAL</b>				
MATERIAL		ALUMINUM - 3/16 THK 2024 - T3	<b>THE TECHNICAL MATERIEL CORP. MAMARONECK, NEW YORK</b>	
FINISH		SEE NOTE	<b>PANEL, FRONT, MACHINING JPP</b>	
UNLESS OTHERWISE SPECIFIED DIMENSIONS ARE IN INCHES AND INCLUDE CHEMICALLY APPLIED OR PLATED FINISHES		DRAWN M TANTILLO	DATE 10-29-62	FINAL APPROVAL BP
DECIMALS .X ± .05 .XX ± .01 .XXX ± .005		TOLERANCES	ELECT. DES. JPP	DATE 11/6/62
FRACTIONS ± 1/64 ANGLES ± 0° 30'			MECH. DES. JPP	DATE 11/6/62
			SHEET	REV. LTR.

MS-3029 B

5-218  
12  
11/6/62