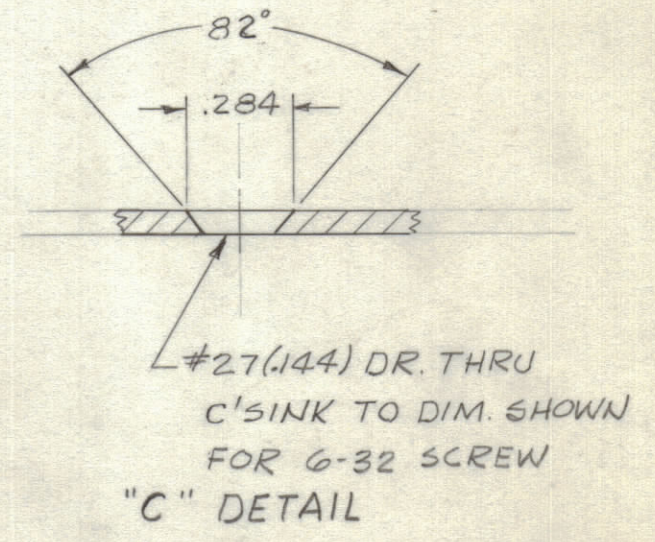
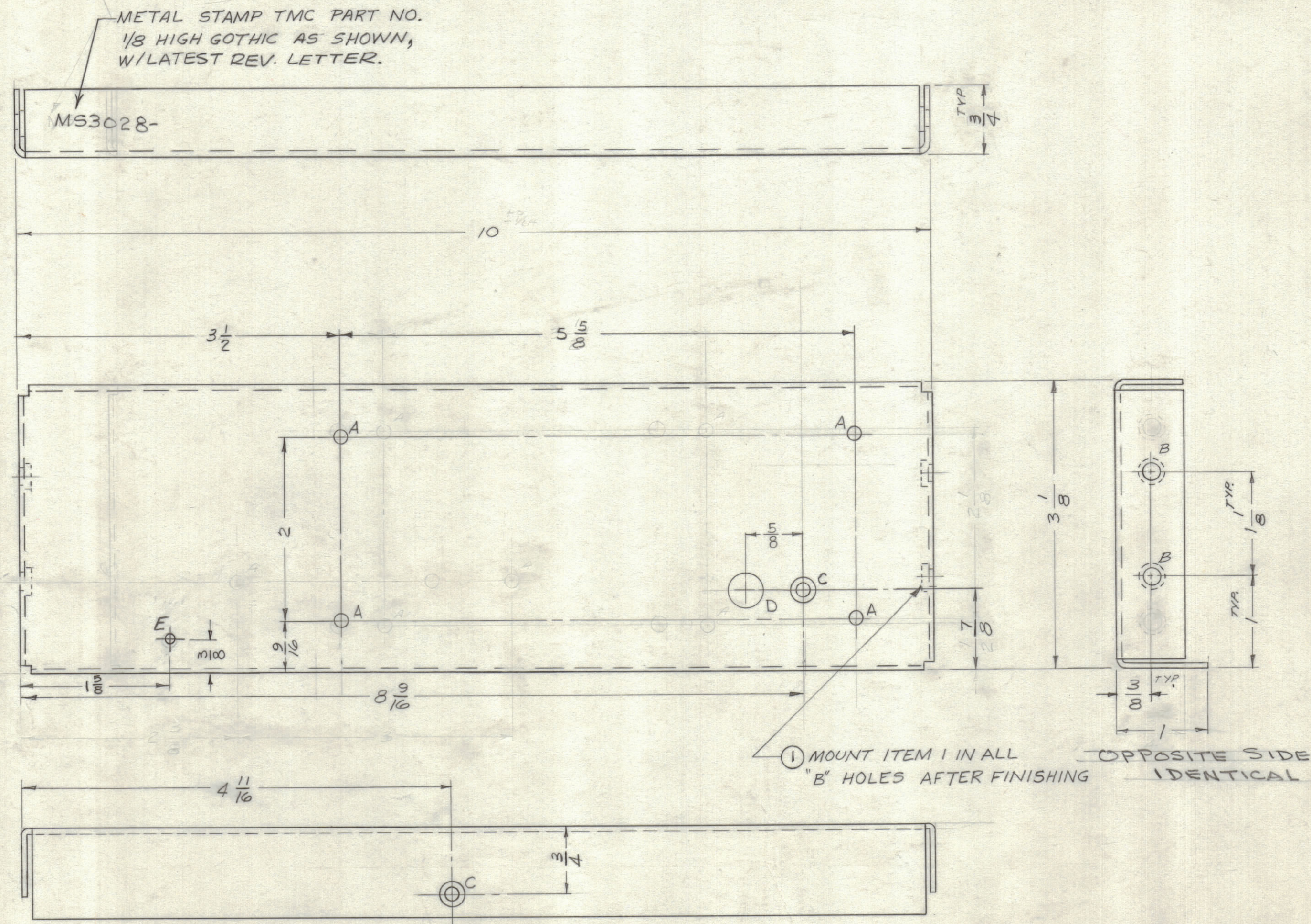


REVISIONS							
ZONE	SYM	DESCRIPTION	DATE	E.M.N. NO.	DRAFT	CHKD	APPD
D6	A	"E" HOLE WAS 5/32 DIA.	3-16-62	17975	L.P.K.		

LEGEND		
HOLE	DESCRIPTION	REQ.
A	.156 DIA.	4
B	191-194 DIA.	4
C	SEE DETAIL	2
D	3/8 DIA.	1
E	#33 DRILL (.113)	1



- NOTES:
- USE MATERIAL THICKNESS FOR MAX. RADIUS ON ALL BENDS UNLESS OTHERWISE SPECIFIED
 - MOUNT INSERTS AFTER FINISHING

NOTICE TO PERSONS RECEIVING THIS DRAWING

THE TECHNICAL MATERIEL CORPORATION claims proprietary right in the material disclosed hereon. This drawing is issued in confidence for engineering information only and may not be reproduced or used to manufacture anything shown hereon without permission from THE TECHNICAL MATERIEL CORPORATION to the user. This drawing is loaned for mutual assistance and is subject to recall at any time.

Property of:
THE TECHNICAL MATERIEL CORPORATION
MAMARONECK, NEW YORK

REQ'D.	ITEM	PART NUMBER	DESCRIPTION	SYMBOL
4	1	NT-129-632-4	NUT, ROUND, SWAGE TYPE	

STRUMMER		LIST OF MATERIAL	
MATERIAL	.064 ALUMINUM 5052 H 32	THE TECHNICAL MATERIEL CORP. MAMARONECK, NEW YORK	
FINISH	5404 YEL IRIDITE	TITLE CHASSIS, DIVIDER 15	

SCALE	CODE	ASS'Y. NO.	DATE	FINAL APPROVAL	DATE
1	SPU-2		8-6-62		

DECIMALS	FRACTIONS	TOLERANCES	ANGLES
.X ± .05	± 1/64		± 0° 30'
.XX ± .01			
.XXX ± .005			

ELECT. DES.	MECH. DES.	DATE	SHEET	REV. LTR.
		11-29-62		

THE CONTENTS OF THIS DRAWING ARE THE EXCLUSIVE PROPERTY OF THE TECHNICAL MATERIEL CORP. ITS UNAUTHORIZED USE OR REPRODUCTION IN WHOLE OR IN PART IS STRICTLY FORBIDDEN.

MS-3028 A