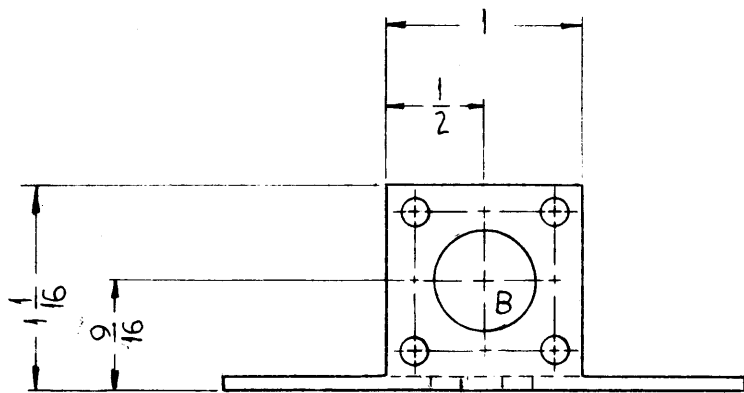


METAL STAMP TMC PART NO.
1/8 HIGH GOTHIC AS SHOWN



NOTES

NOTICE TO PERSONS RECEIVING THIS DRAWING

THE TECHNICAL MATERIEL CORPORATION claims proprietary right in the material disclosed hereon. This drawing is issued in confidence for engineering information only and may not be reproduced or used to manufacture anything shown hereon without permission from THE TECHNICAL MATERIEL CORPORATION to the user. This drawing is loaned for mutual assistance and is subject to recall at any time.

Property of:

THE TECHNICAL MATERIEL CORPORATION
MAMARONECK, NEW YORK

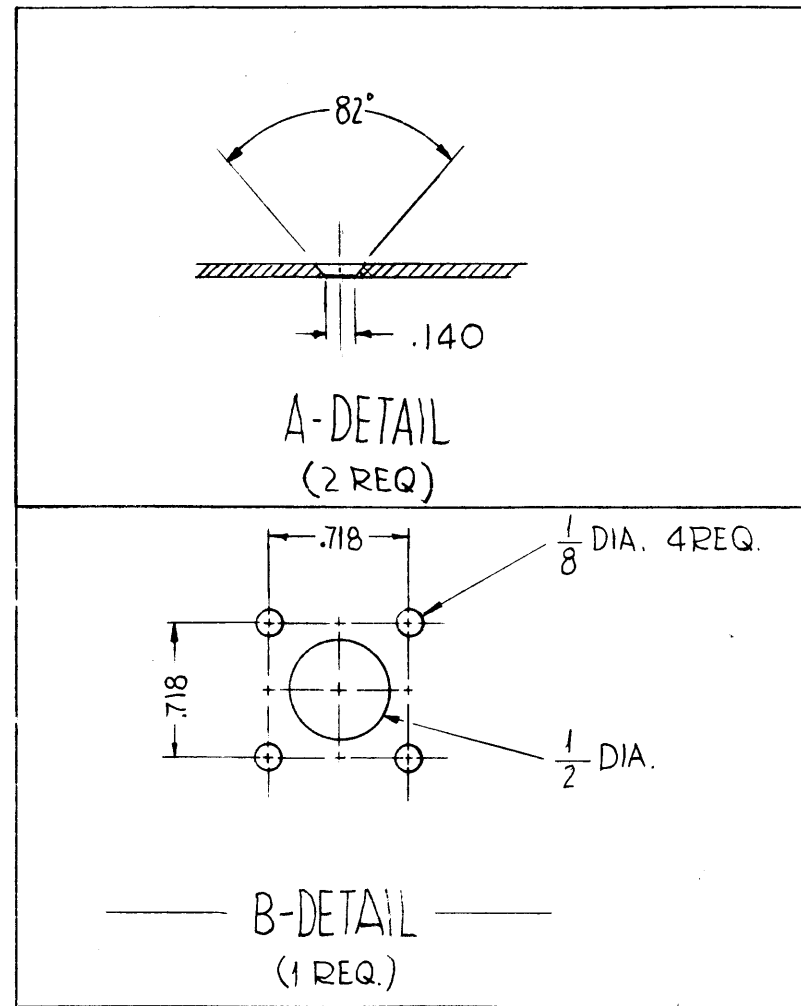
DAC -15 #16		
QTY./UNIT	MODEL USED ON	ASSY. NO.
SCALE	CODE	
THE CONTENTS OF THIS DRAWING ARE THE EXCLUSIVE PROPERTY OF THE TECHNICAL MATERIEL CORP. ITS UNAUTHORIZED USE OR REPRODUCTION IN WHOLE OR IN PART IS STRICTLY FORBIDDEN.		

MS-2979 Ø

REVISIONS

SYM	DESCRIPTION	DATE	E.M.N. NO.	DRAFT	CHKD	APPD
Ø	ORIGINAL RELEASE	8/19/69	Ø			

HOLES:



REF. TMC DWGS. A-2451 & PM-771

REQ'D.	ITEM	PART NUMBER	DESCRIPTION	SYMBOL
R. LANGER LIST OF MATERIAL				
MATERIAL .051 ALUMINUM 52 S - H 32			THE TECHNICAL MATERIEL CORP. MAMARONECK, NEW YORK	
FINISH S404 IRIDITE			TITLE PLATE, MOUNTING	
UNLESS OTHERWISE SPECIFIED DIMENSIONS ARE IN INCHES AND INCLUDE CHEMICALLY APPLIED OR PLATED FINISHES			DRAWN GIANFILIPPO	DATE 5-22-62
DECIMALS .X ± .00 .XX ± .01 .XXX ± .005			CHECKED [Signature]	DATE 5-25-62
FRACTIONS ± 1/64 ANGLES ± 0 30'			ELECT. ENGR. [Signature]	DATE 5-25-62
			MECH. ENGR. [Signature]	DATE 5-25-62
			FINAL APPROVAL [Signature]	DATE 8/2/69
			MS-2979	
			SHEET	
			REV. LTR.	