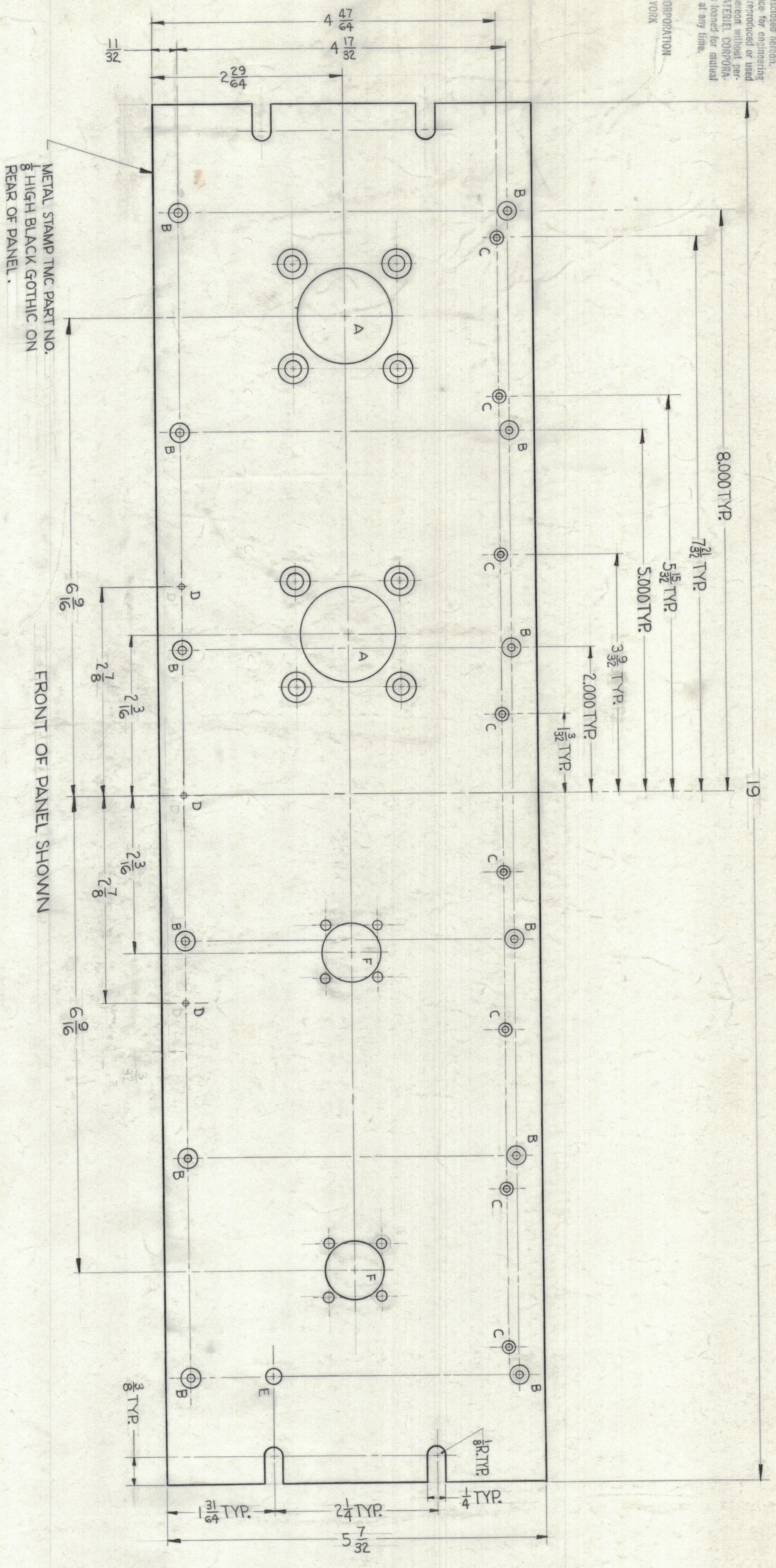
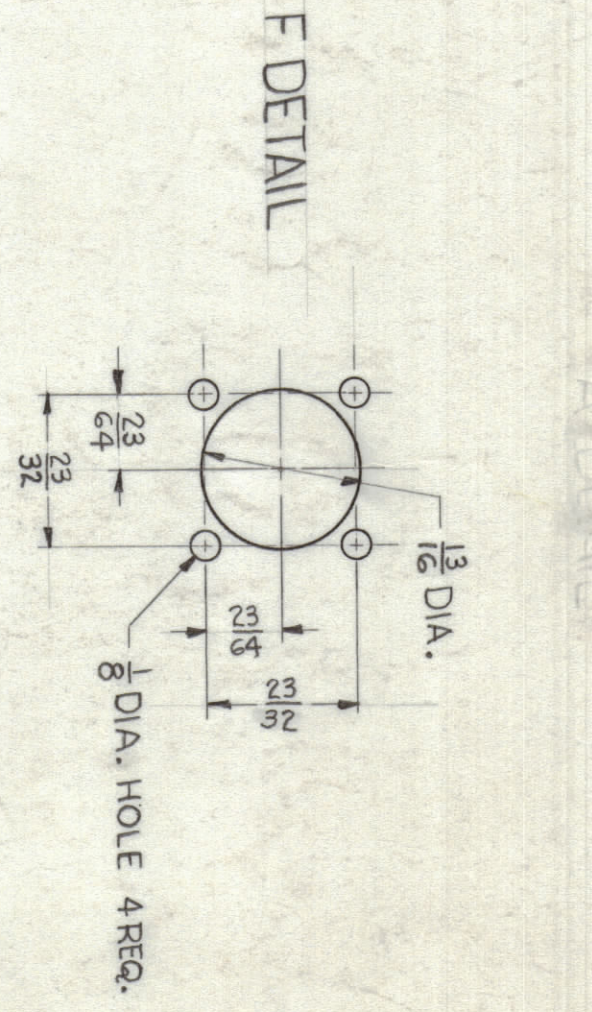
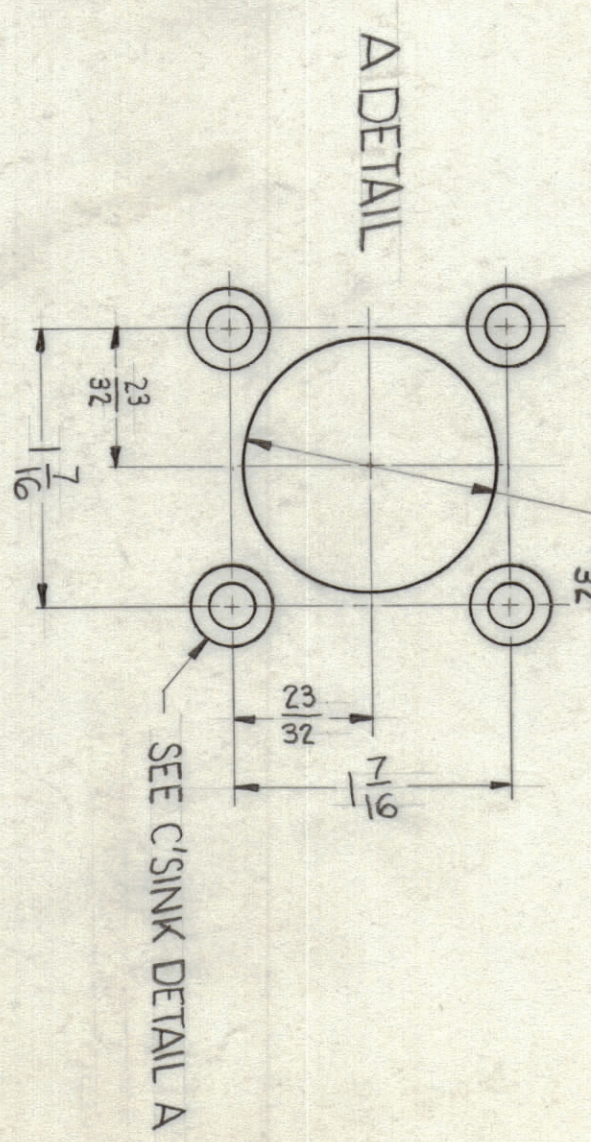


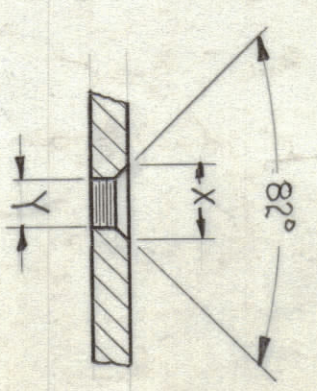
NOTICE TO PERSONS RECEIVING THIS DRAWING
 THE TECHNICAL MATERIAL CORPORATION claims proprietary right in the material disclosed herein. This drawing is issued in confidence for engineering information only and may not be reproduced or used to manufacture anything shown herein without permission from THE TECHNICAL MATERIAL CORPORATION to the user. This drawing is loaned for mutual assistance and is subject to recall at any time.
 Property of:
 THE TECHNICAL MATERIAL CORPORATION
 MANHATTAN, NEW YORK



HOLE	DESCRIPTION	REQ.
A	SEE DETAIL	2
B	SEE CSINK DETAIL	12
C	SEE CSINK DETAIL	8
D	.0785 DIA.	3
E	13/64 DIA.	1
F	SEE DETAIL	2



HOLE	TYPE	X	Y
A	10-32	.390	.196
B	6-32	.284	.144
C	3-48	.204	DRILL & TAP 3-48



FINISHING NOTES:
 S404 IRIDITE
 S114 ZINC CHROMATE PRIMER
 S522 TMC SMOOTH GREY ENAMEL
 OR PRIME & PAINT TO CUST. SPEC.
 FRONT & EDGES ONLY

MACHINING NOTES:
 1- LATERAL BOW OF PANEL MUST BE KEPT .031 TOL.
 2- MILL ALL EDGES.
 3- HOLES MUST BE DRILLED.
 4- HOLES MUST BE FREE OF ALL MACHINING MARKS, GOUGES & SCRATCHES. IF NECESSARY, SAND FRONT OF PANEL WITH NO. 120 GRIT SANDPAPER.

REV.	DATE	BY	CHKD.	DESCRIPTION
1	5-16-62			5-16-62

SCALE: DO NOT SCALE
 DIMENSIONS ARE IN INCHES
 TOLERANCES ON DECIMALS ± .005
 ANGLES ± 1/2°
 UNLESS OTHERWISE SPECIFIED:
 FINISH: 3/16" ZINC CHROMATE PRIMER
 S404 IRIDITE
 S114 ZINC CHROMATE PRIMER
 S522 TMC SMOOTH GREY ENAMEL
 OR PRIME & PAINT TO CUST. SPEC.

REV.	DATE	BY	CHKD.	DESCRIPTION
1	5-16-62			5-16-62

REVISIONS:
 1. QDR12C12Y4
 2. QDR12C12Y4
 3. QDR12C12Y4
 4. QDR12C12Y4
 5. QDR12C12Y4
 6. QDR12C12Y4
 7. QDR12C12Y4
 8. QDR12C12Y4
 9. QDR12C12Y4
 10. QDR12C12Y4
 11. QDR12C12Y4

REV.	DATE	BY	CHKD.	DESCRIPTION
1	5-16-62			5-16-62

REVISIONS:
 1. QDR12C12Y4
 2. QDR12C12Y4
 3. QDR12C12Y4
 4. QDR12C12Y4
 5. QDR12C12Y4
 6. QDR12C12Y4
 7. QDR12C12Y4
 8. QDR12C12Y4
 9. QDR12C12Y4
 10. QDR12C12Y4
 11. QDR12C12Y4