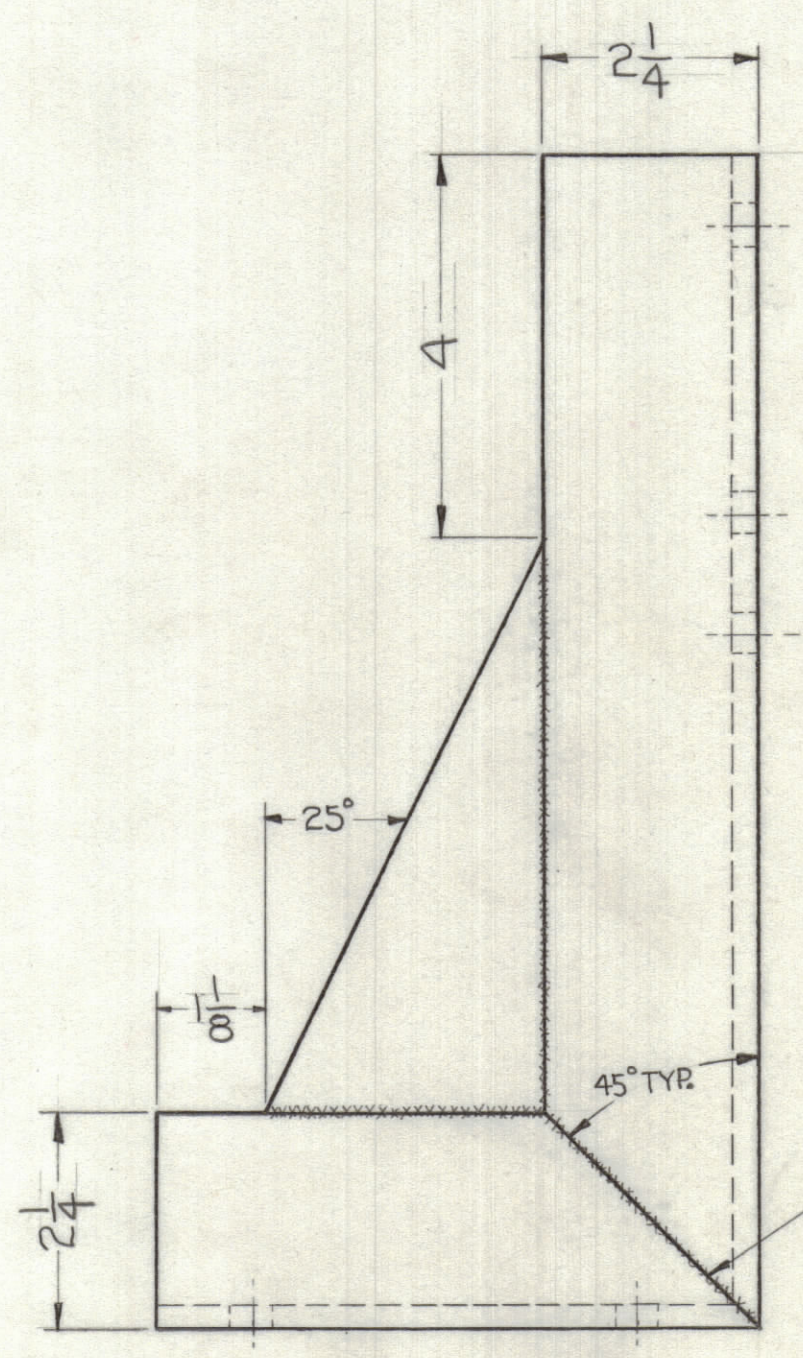
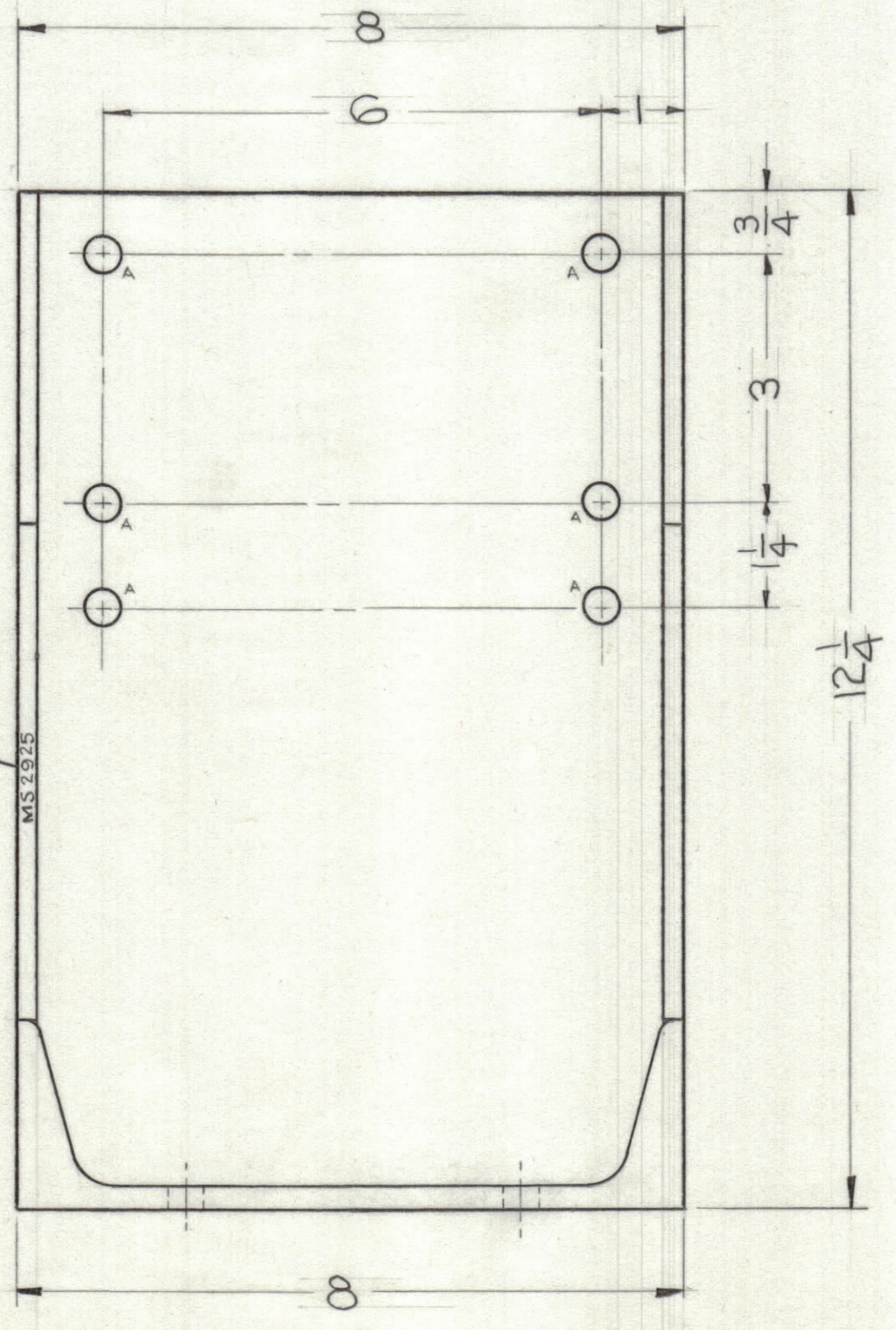
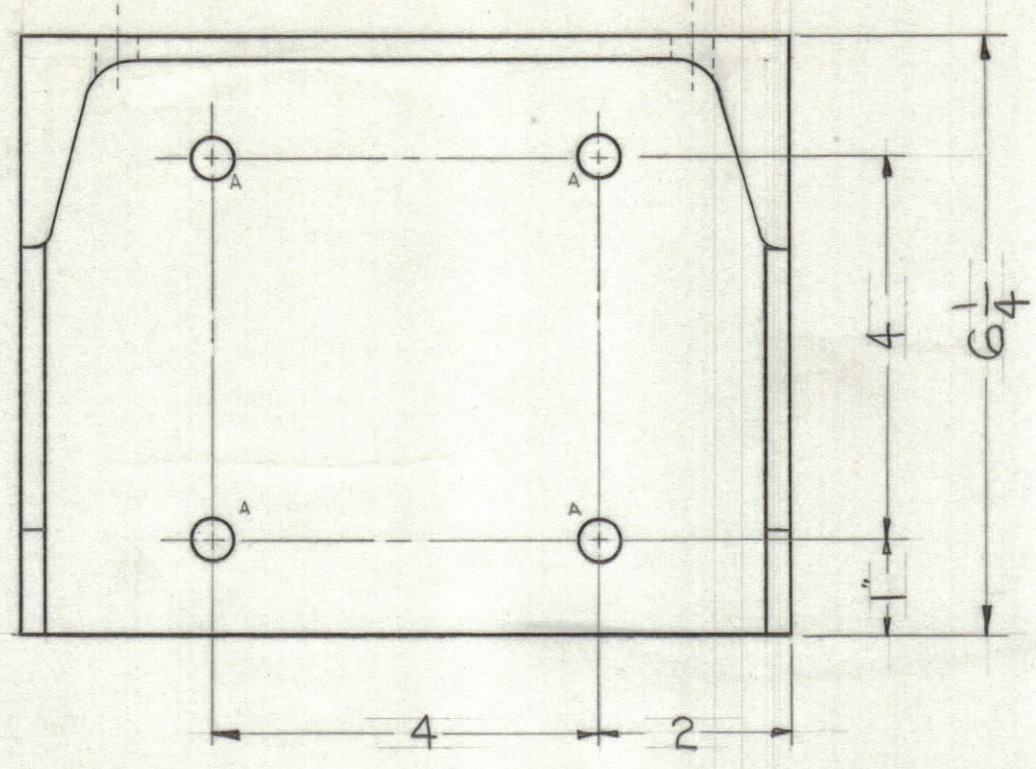


NOTICE TO PERSONS RECEIVING THIS DRAWING

THE TECHNICAL MATERIEL CORPORATION claims proprietary right in the material disclosed hereon. This drawing is issued in confidence for engineering information only and may not be reproduced or used to manufacture anything shown hereon without permission from THE TECHNICAL MATERIEL CORPORATION to the user. This drawing is loaned for mutual assistance and is subject to recall at any time.

Property of:
THE TECHNICAL MATERIEL CORPORATION
MAMARONECK, NEW YORK

A - $\frac{7}{16}$ DIA. 10 REQ.



METALS STAMP TMC PART NO.
1/8 HIGH BLACK GOTHIC

MS2925

SYM	ZONE	DESCRIPTION	DATE	CH. NO.	DRAFTS	CHECKER	ENG. APP.
ϕ		ORIGINAL RELEASE FOR PRODUCTION	4/22/69				
UNLESS OTHERWISE SPECIFIED:			SCALE 1/2" = 1"				
DIMENSIONS ARE IN INCHES			MAXIMUM ALLOWABLE TOLERANCES HAVE BEEN DETERMINED AND ANY DEVIATIONS WILL BE CAUSE FOR REJECTION. REMOVE ALL BURRS & SHARP EDGES				
TOLERANCES ON FRACTIONS $\pm 1/64$			DECIMALS $\pm .005$			ANGLES $\pm 1/2^\circ$	

REQ. PER UNIT	MODEL	SECTION	ASS'Y. NO.	DATE
	SYM 2002			3-23-62

REQ. ITEM	PART NO.	DESCRIPTION	SYMBOL
	3/16	THE TECHNICAL MATERIEL CORP. MAMARONECK, NEW YORK	
	STEEL	HOUSING, TRANSFORMER MOUNTING	
		MATERIAL	
		TYPE & TEMPER	
		HEAT TREAT. SPEC.	
		FINISH & SPEC. NO.	
		ELEC. DES. APP.	
		MECH. DES. APP.	
		SHEET	OF
		MS 2925	ϕ