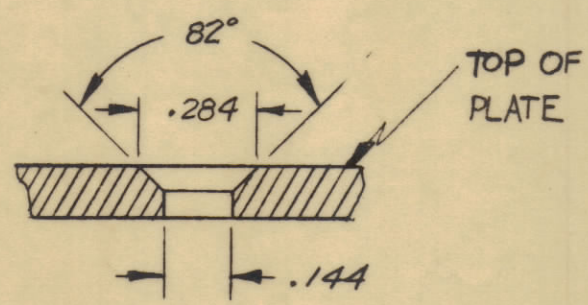
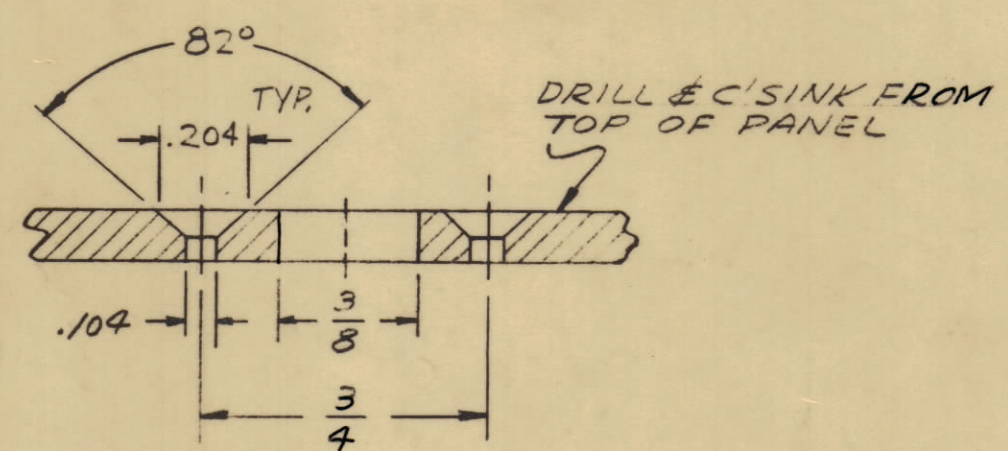
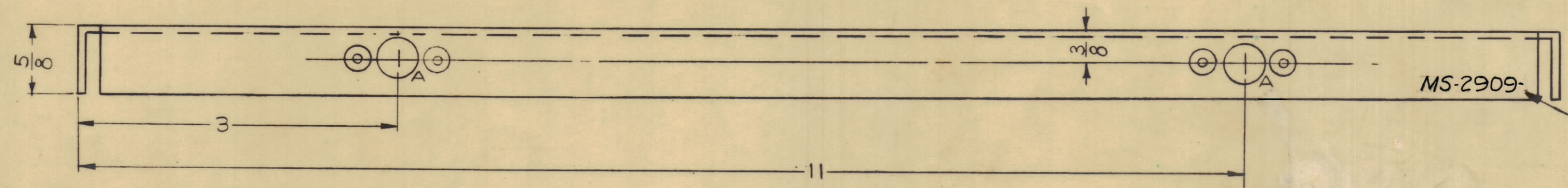
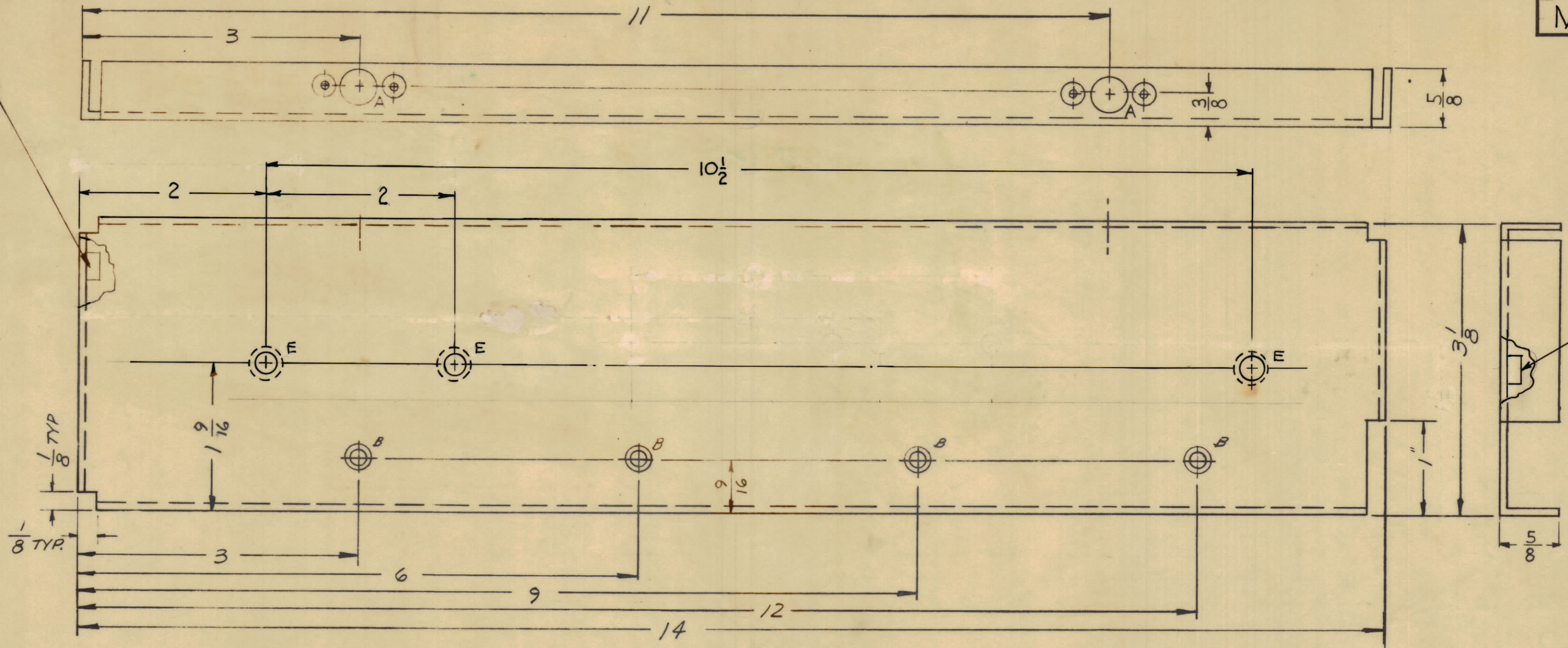
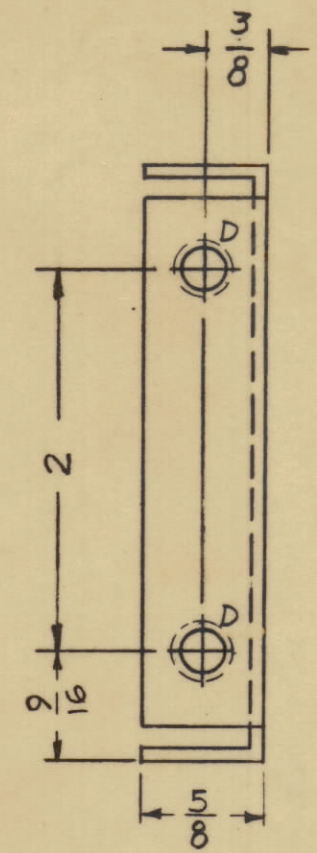


MOUNT ITEM-1, IN "D" HOLES AFTER FINISHING.

MOUNT IN ALL "E" HOLES AFTER FINISHING

METAL STAMP TMC PART NO. 1/8 HIGH GOTHIC AS SHOWN, WITH LATEST REVISION LETTER.



LEGEND

HOLE	DESCRIPTION	QUAN.
A	SEE DETAIL	4
B	SEE DETAIL	4
C	DELETED	-
D	.191-.194 DIA.	2
E	.250-.253 DIA.	3

USE MATERIAL THICKNESS FOR MAX. RADIUS ON ALL BENDS UNLESS OTHERWISE SPECIFIED

MOUNT INSERTS AFTER FINISHING

NOTICE TO PERSONS RECEIVING THIS DRAWING
 THE TECHNICAL MATERIEL CORPORATION claims proprietary right in the material disclosed hereon. This drawing is issued in confidence for engineering information only and may not be reproduced or used to manufacture anything shown hereon without permission from THE TECHNICAL MATERIEL CORPORATION to the user. This drawing is loaned for mutual assistance and is subject to recall at any time.

Property of:
 THE TECHNICAL MATERIEL CORPORATION
 MAMARONECK, NEW YORK

SYM	ZONE	DESCRIPTION	DATE	CH. NO.	DRAFTS	CHECKER	ENG. APP.
D	C3	ON HOLE LEGEND "C" DELETED, "E" ADDED	7.30.64	11986	WJB		
C	B3	IT 2 ADD., ON PICT. 3" HOLES CHNG. TO "E" HOLES	12/18/63	10618	WJB		
B	G4	DWG UPDATED & CLARIFIED	7-26-63	9659	WJB		
A	A5	MODEL AFC-2A, 1 REQ. DELETED	9-27-62	7241	WJB		

UNLESS OTHERWISE SPECIFIED:
 DIMENSIONS ARE IN INCHES
 TOLERANCES ON
 FRACTIONS ± 1/64 DECIMALS ± .005 ANGLES ± 1/2°
 MAXIMUM ALLOWABLE TOLERANCES HAVE BEEN DETERMINED AND ANY DEVIATIONS WILL BE CAUSE FOR REJECTION. REMOVE ALL BURRS & SHARP EDGES

REQ. PER UNIT	MODEL	SECTION	ASS'Y. NO.	DATE
1	AFC-3			7-26-62

REQ. ITEM	PART NO.	DESCRIPTION	SYMBOL
3	NT-129-1032-4	NUT, ROUND, SWAGE TYPE	E
2	NT129-6-32-4	NUT, ROUND, SWAGE TYPE	D

WESCHLER

THE TECHNICAL MATERIEL CORP.
 MAMARONECK, NEW YORK

PLATE, CHASSIS MOUNTING (RIGHT SIDE)

ALUMINUM

5052-H32

5404-YEL. IRIDITE

V.R.R. [Signature]
 DRAWN [Signature] CHECKED [Signature] FINAL APPROVAL [Signature]

MS-2909 D