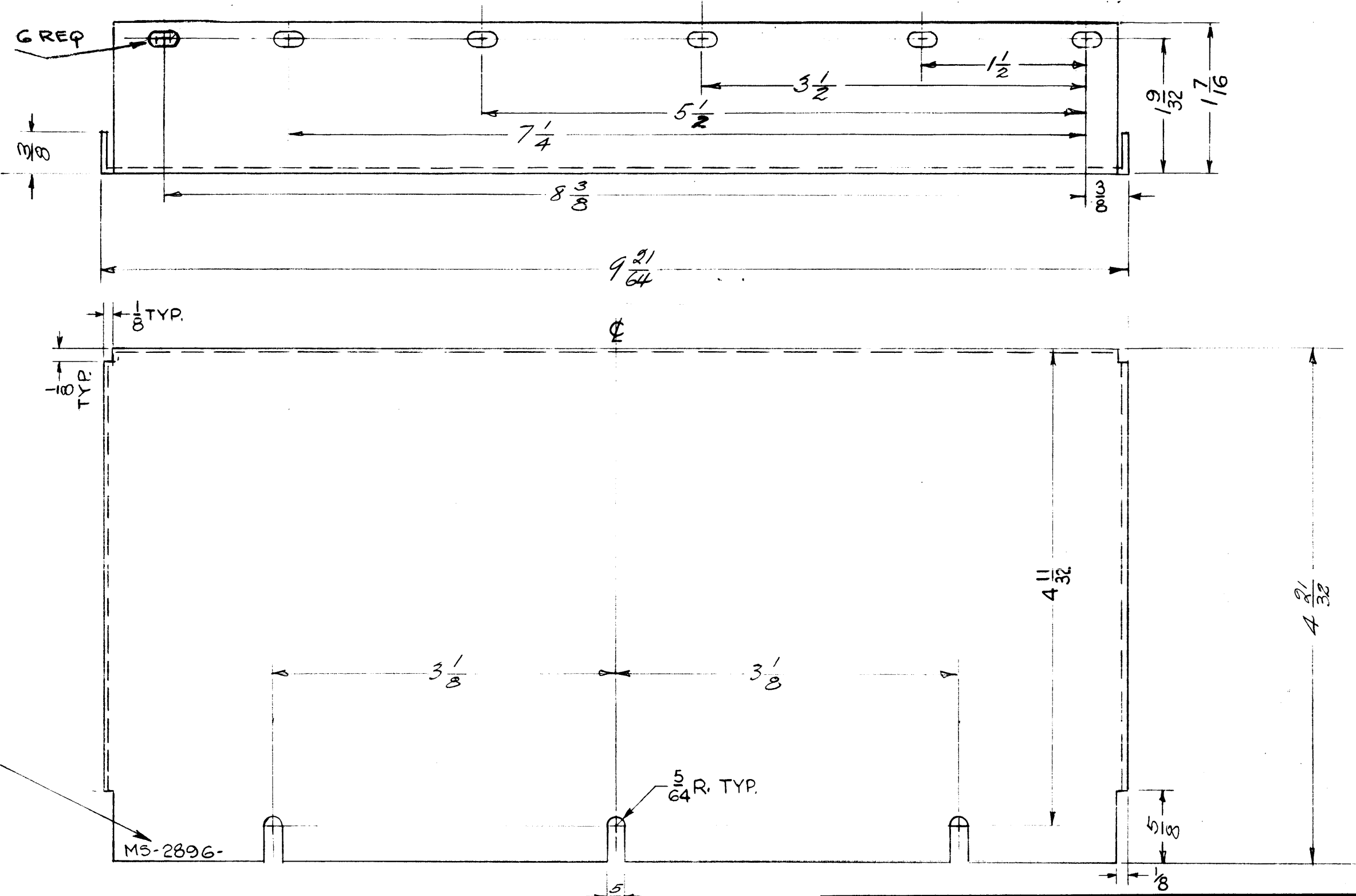


MS-2896
A

1/8 x 1/4 SLOTS



METAL STAMP TMC
PART NO.
1/8 HIGH GOTHIC
AS SHOWN.

THE TECHNICAL MATERIEL CORP.
MAMARONECK, NEW YORK

USE MATERIAL THICKNESS FOR MAX. RADIUS
ON ALL BENDS UNLESS OTHERWISE SPECIFIED

| | | | | | | |
|--|---------------------------|---|---------|--------|---------|-----------|
| SYM | DESCRIPTION | DATE | CH. NO. | DRAFTS | CHECKER | ENG. APP. |
| A | TYPE & TEMPER WAS 5052-H2 | 7-25-62 | 6961 | SRG | HJR | WEE |
| UNLESS OTHERWISE SPECIFIED: | | SCALE: 1:1 | | | | |
| DIMENSIONS ARE IN INCHES | | MAXIMUM ALLOWABLE TOLERANCES HAVE BEEN DETERMINED AND ANY DEVIATIONS WILL BE CAUSE FOR REJECTION. | | | | |
| TOLERANCES ON FRACTIONS ± 1/64 DECIMALS ± .005 ANGLES ± 1/2° | | REMOVE ALL BURRS AND SHARP EDGES | | | | |

| | | | | |
|---------------|---------|---------|------------|---------|
| REQ. PER UNIT | MODEL | SECTION | ASS'Y. NO. | DATE |
| 1 | HER-1/T | | A-2532 | 8/22/61 |
| USED ON | | | | |

| REQ. ITEM | PART NO. | ANGER | DESCRIPTION | SYMBOL |
|--------------------|-------------------|-----------------|--|----------------|
| .040 THK | | | THE TECHNICAL MATERIEL CORP. MAMARONECK, NEW YORK | |
| STOCK SIZE | | | | |
| ALUMINUM | | | COVER, RF ASSY #2 | |
| MATERIAL | | | | |
| .5052 H32 | | ab | SRG | BP |
| TYPE & TEMPER | HEAT TREAT. SPEC. | DRAWN | CHECKER | FINAL APPROVAL |
| S404 YEL. IRIDITE | | J. ANGER | | MS-2896 |
| FINISH & SPEC. NO. | | ELEC. DES. APP. | MECH. DES. APP. | A |