

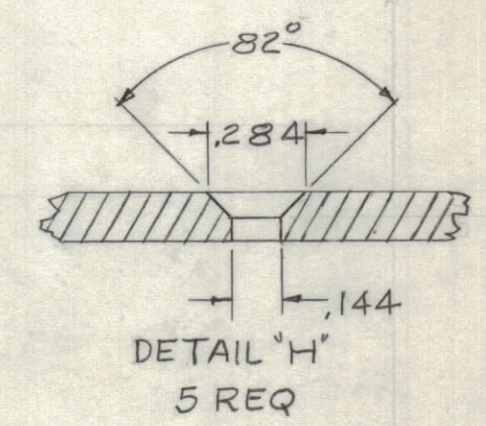
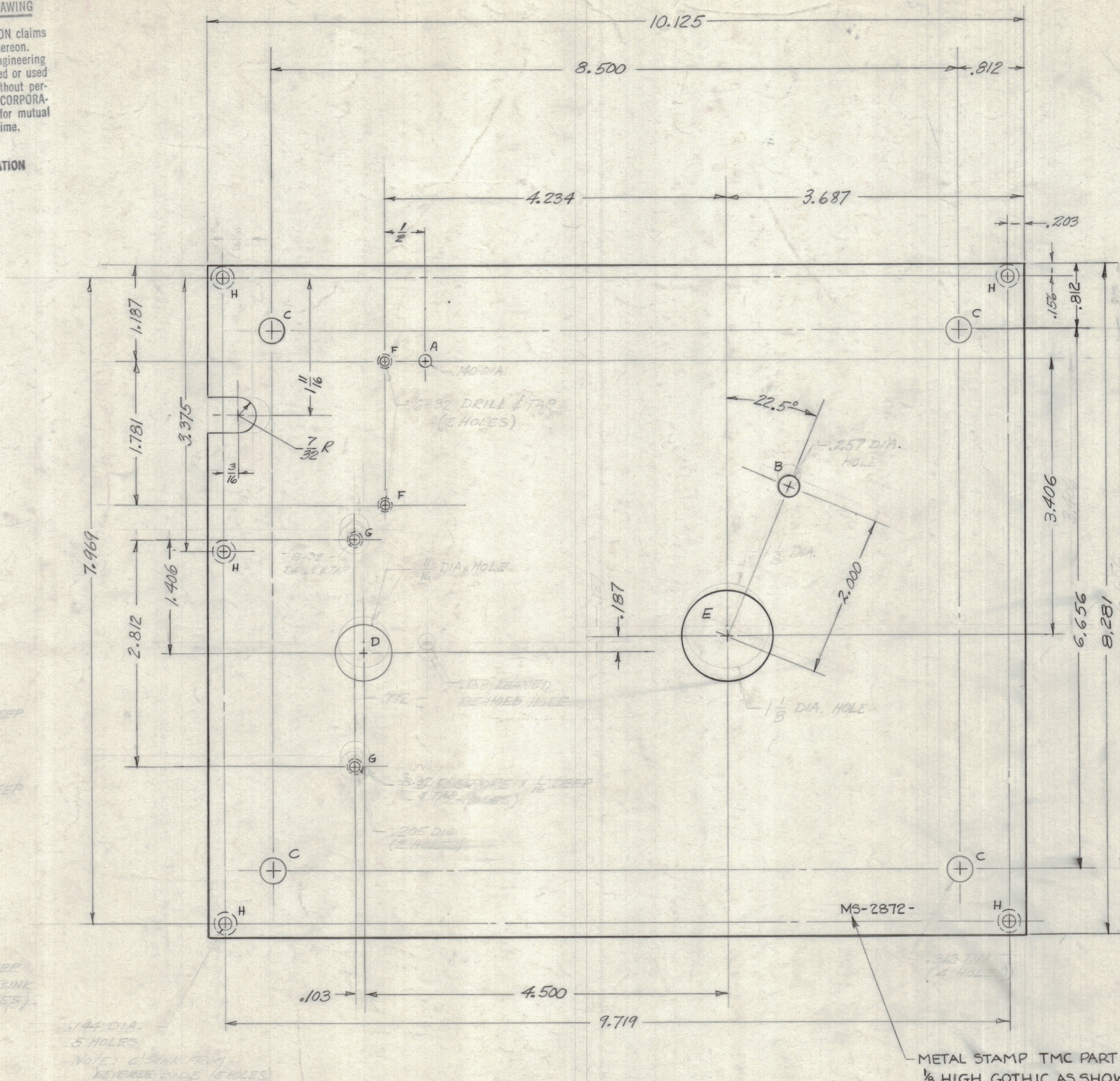
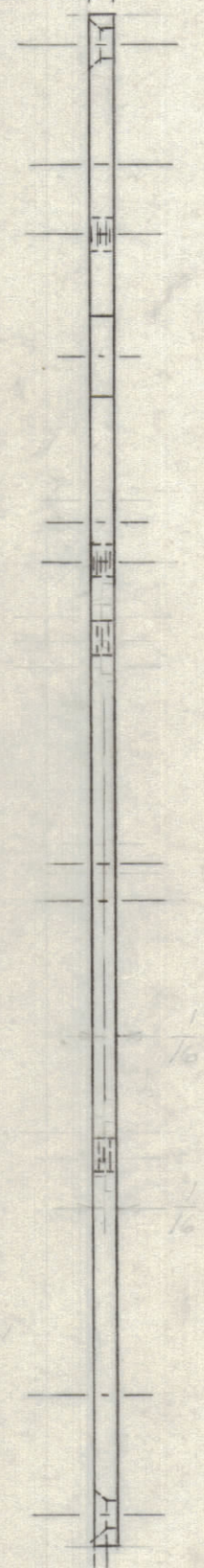
NOTICE TO PERSONS RECEIVING THIS DRAWING

THE TECHNICAL MATERIEL CORPORATION claims proprietary right in the material disclosed herein. This drawing is issued in confidence for engineering information only and may not be reproduced or used to manufacture anything shown herein without permission from THE TECHNICAL MATERIEL CORPORATION to the user. This drawing is loaned for mutual assistance and is subject to recall at any time.

Property of:
THE TECHNICAL MATERIEL CORPORATION
MAMARONECK, NEW YORK

LEGEND		
HOLE	DESCRIPTION	REQ.
A	.140 DIA.	1
B	.257 DIA.	1
C	.312 DIA.	4
D	1/16 DIA.	1
E	1-1/8 DIA.	1
F	DRILL & TAP 6-32	2
G	DRILL & TAP 8-32	2

1/8



NOTE: C'S SINK FROM REVERSE SIDE.

METAL STAMP TMC PART NO. 1/8 HIGH GOTHIC AS SHOWN.

SYM	ZONE	DESCRIPTION	DATE	CH. NO.	DRAFTS	CHECKER	ENG. APP.
UNLESS OTHERWISE SPECIFIED:							SCALE Do Not Scale
DIMENSIONS ARE IN INCHES							MAXIMUM ALLOWABLE TOLERANCES HAVE BEEN DETERMINED AND ANY DEVIATIONS WILL BE CAUSE FOR REJECTION. REMOVE ALL BURRS & SHARP EDGES
TOLERANCES ON FRACTIONS ± 1/64 DECIMALS ± .005 ANGLES ± 1/2°							

1	HFR-1/T	TURKET	A-3042	5/4/61
REQ. PER UNIT	MODEL	SECTION	ASS'Y. NO.	DATE
USED ON				

REQ.	ITEM	PART NO.	DESCRIPTION	SYMBOL
	1/8 THK.		ALUMINUM	
STOCK SIZE				
MATERIAL				
2024-T4				
TYPE & TEMPER				
5404 YEL. IRIDITE				
FINISH & SPEC. NO.				
	ab			BP
DRAWN		CHECKED		FINAL APPROVAL
J. ANGER			MS-2872	
ELEC. DES. APP.		MECH. DES. APP.		SHEET OF
1				