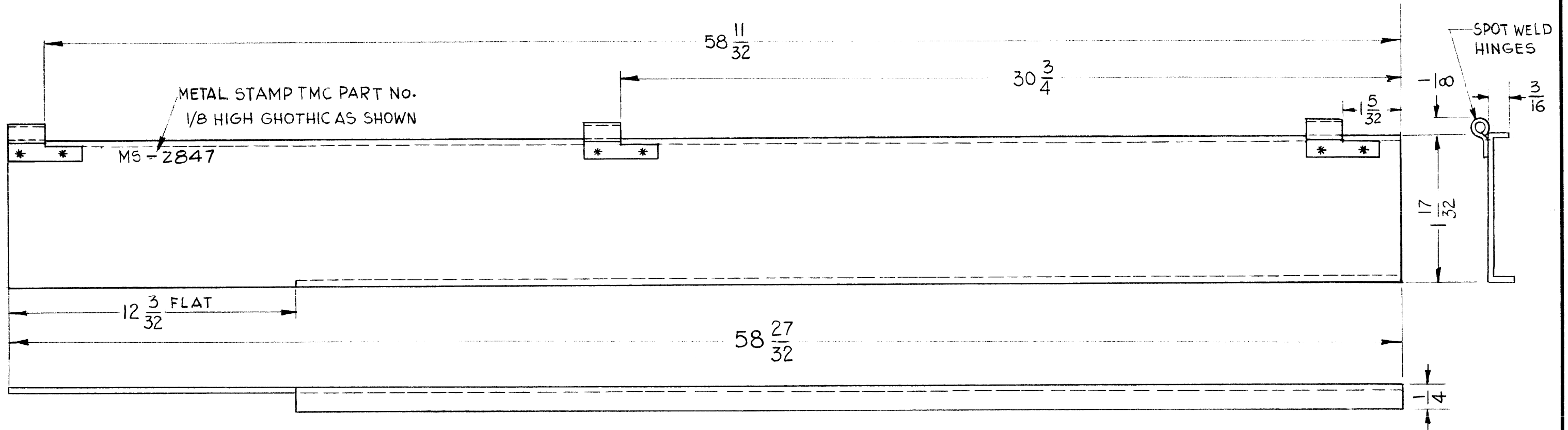
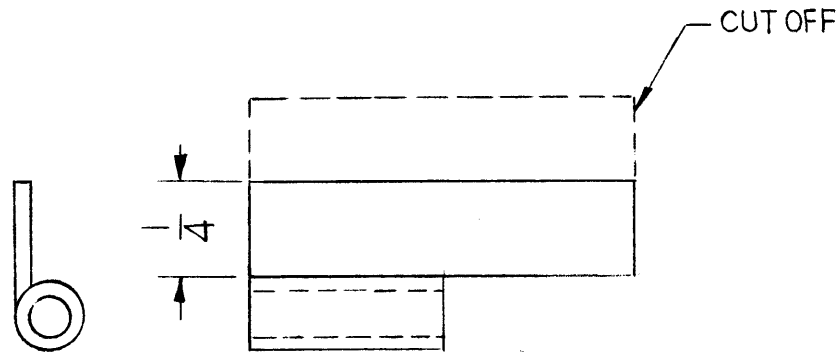


THE CONTENTS OF THIS DRAWIN ARE THE EXCLUSIVE PROPERTY OF THE TECHNICAL MATERIEL CORP. ITS UNAUTHORIZED USE OR REPRODUCTION IN WHOLE OR IN PART IS STRICTLY FORBIDDEN.

MS-2847



NOTICE TO THE BUYER: THIS DRAWING IS THE PROPERTY OF THE TECHNICAL MATERIEL CORP. IT IS TO BE USED FOR THE MANUFACTURE OF THE PARTS SPECIFIED THEREON. IT IS TO BE KEPT IN THE OFFICE OF THE BUYER AND NOT REPRODUCED OR COPIED IN ANY MANNER WITHOUT THE WRITTEN PERMISSION OF THE TECHNICAL MATERIEL CORP.



STEEL HINGE 1/16 OPEN  
 .045 THK. X .093 PIN DIA.  
 STANLEY PT #65-33-80  
 MODIFIED AS SHOWN

FINISH ~  
 S371 DEGREASING  
 S114 ZINC CHROMATE PRIMER  
 S115 SMOOTH GRAY

NOTE  
 NOTCH TO ACCOM.  
 HINGE.

REQ.	ITEM	PART NO.	DESCRIPTION	SYMBOL
		20 GAUGE	THE TECHNICAL MATERIEL CORP. MAMARONECK, NEW YORK	
		STOCK SIZE		
		STEEL	STRIP, TRIM, REAR, RIGHT	
		MATERIAL	SHIPBOARD	
			G.D.L.	SPM
			DRAWN	CHECKED
			FINAL APPROVAL	
				MS-2847

SYM	DESCRIPTION	DATE	CH. NO.	DRAFTS	CHECKER	ENG. APP.
	UNLESS OTHERWISE SPECIFIED:					
	DIMENSIONS ARE IN INCHES					
	TOLERANCES ON					
	FRACTIONS ± 1/64					
	DECIMALS ± .005					
	ANGLES ± 1/2°					

REQ. PER UNIT	MODEL	SECTION	ASS'Y. NO.	DATE
1	GPT-10K()			1-18-62