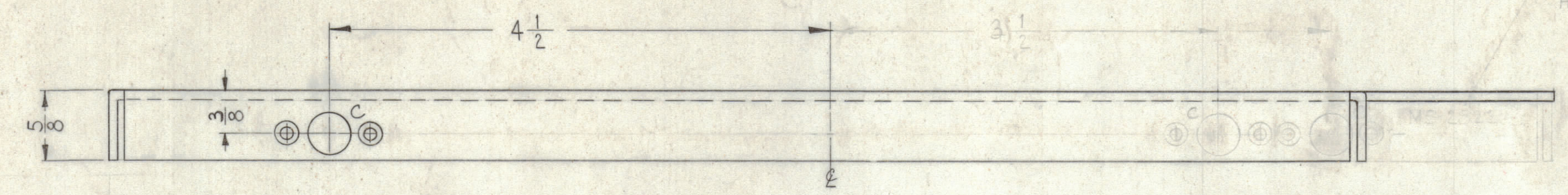


**NOTICE TO PERSONS RECEIVING THIS DRAWING**

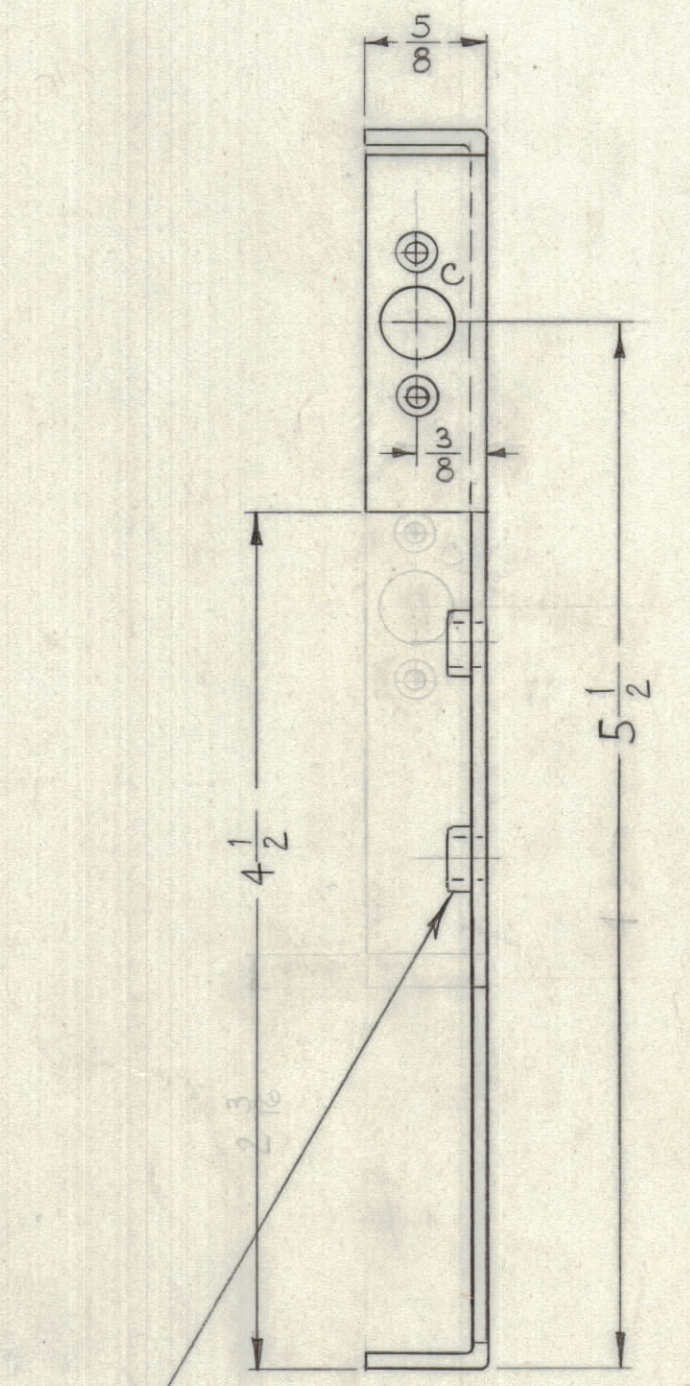
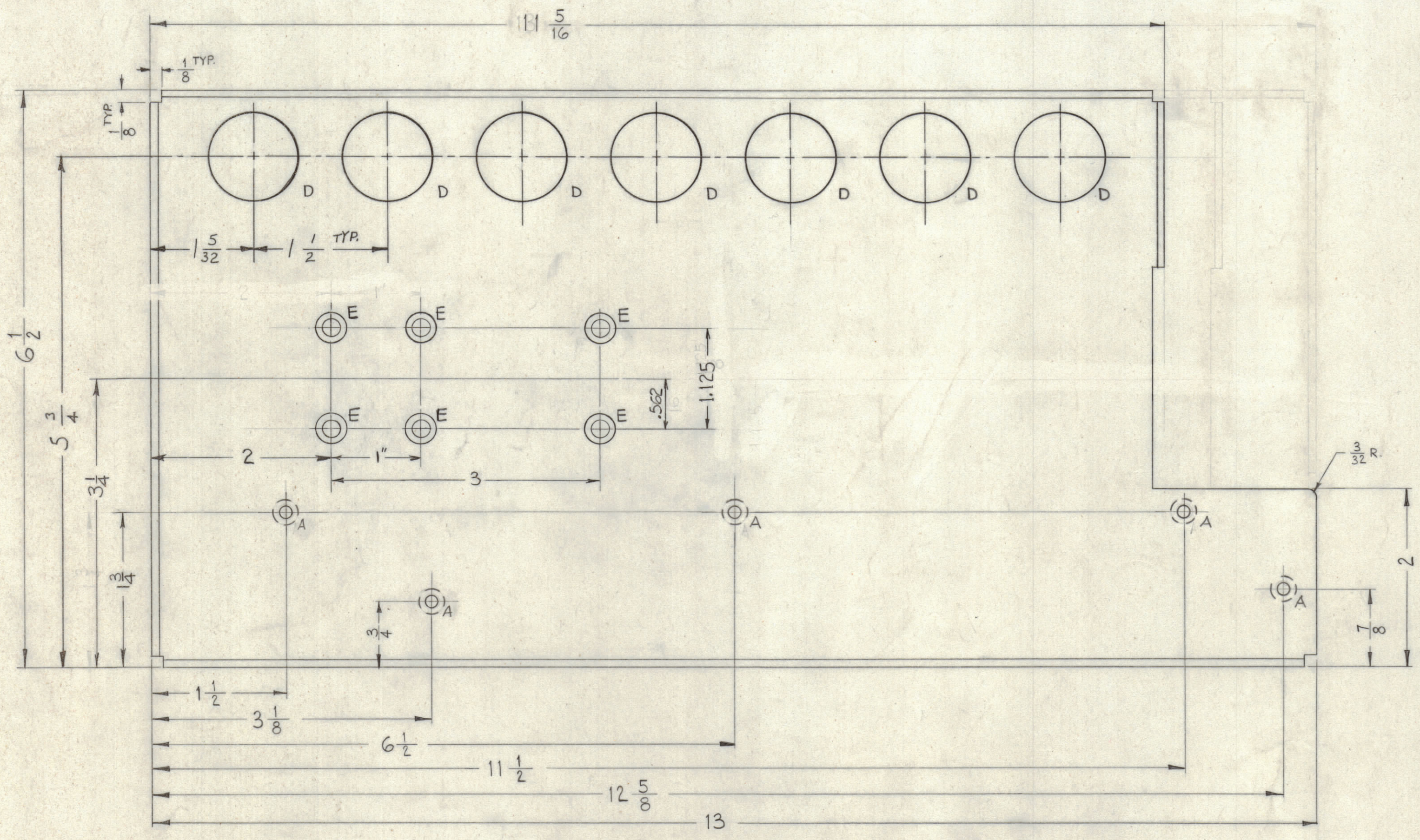
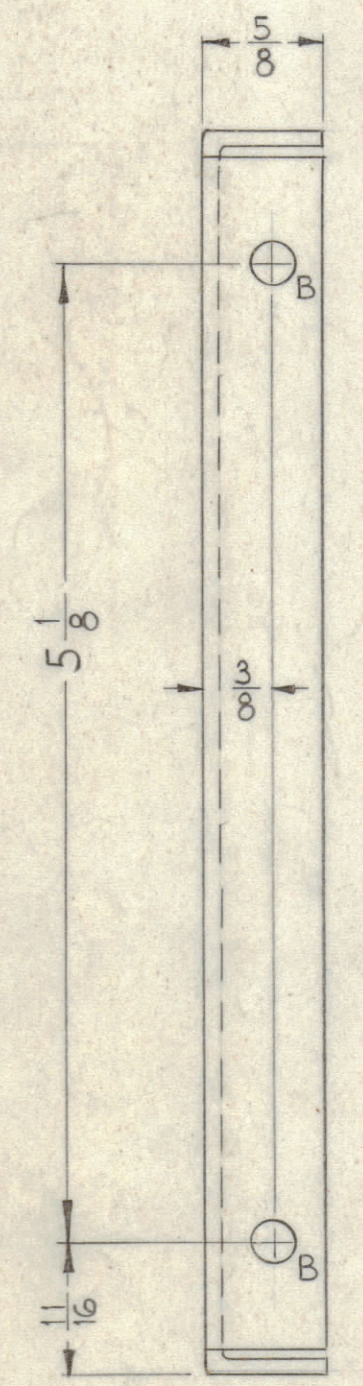
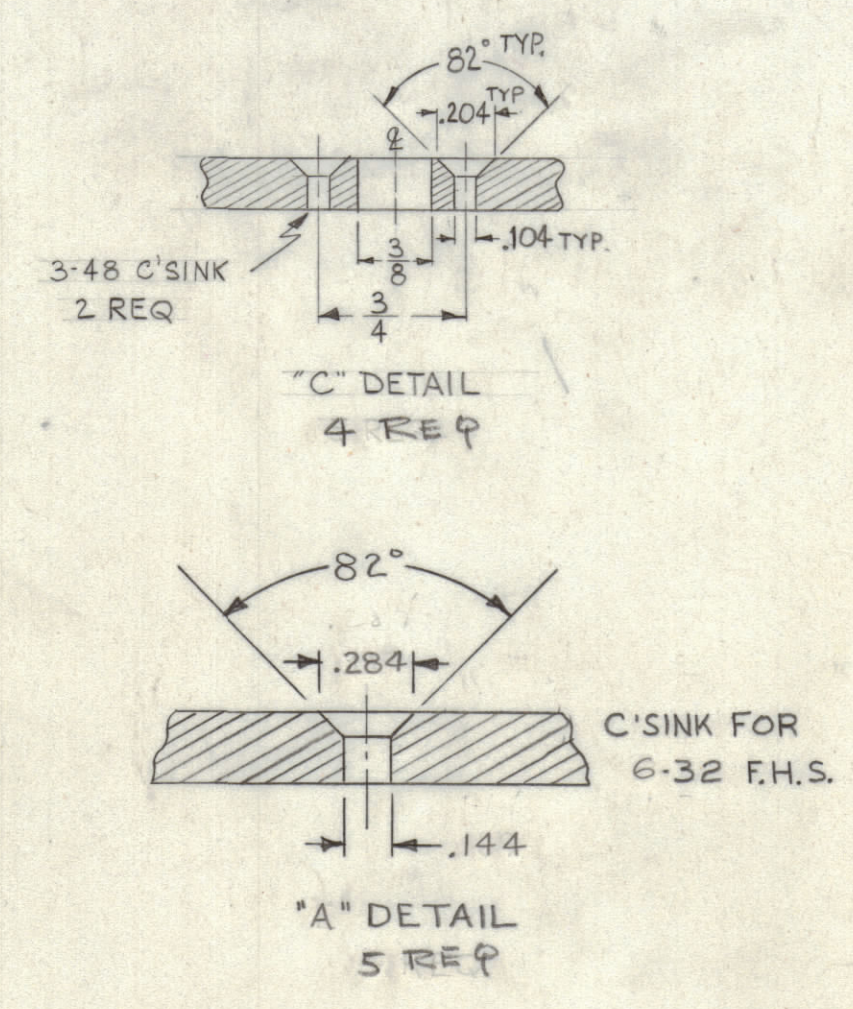
THE TECHNICAL MATERIEL CORPORATION claims proprietary right in the material disclosed herein. This drawing is issued in confidence for engineering information only and may not be reproduced or used to manufacture anything shown herein without permission from THE TECHNICAL MATERIEL CORPORATION to the user. This drawing is loaned for mutual assistance and is subject to recall at any time.

Property of:  
**THE TECHNICAL MATERIEL CORPORATION**  
 MAMARONECK, NEW YORK

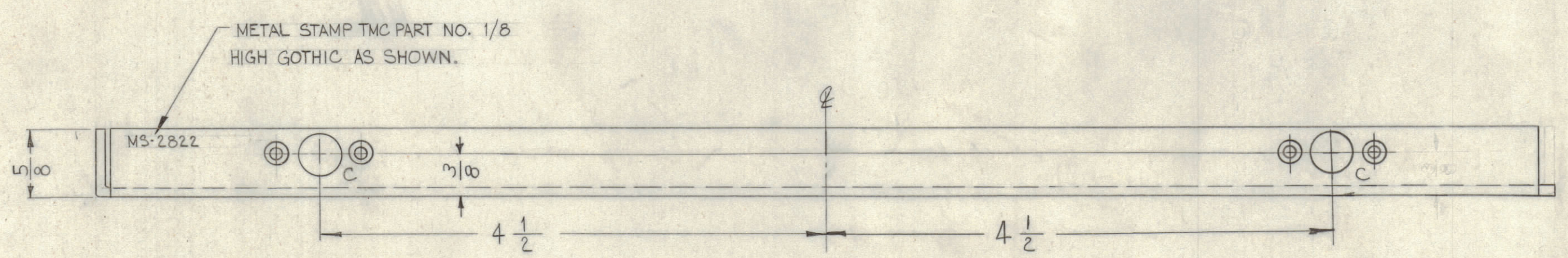
METAL STAMP TMC PART NO. 1/8  
 HIGH GOTHIC AS SHOWN.



LEGEND		
HOLE	DESCRIPTION	REQ.
A	SEE DETAIL	5
B	7/32 DIA	2
C	SEE DETAIL	4
D	1" DIA	7
E	.250-.253 DIA.	6



① MOUNT ITEM 1 IN ALL "E" ALL "E" HOLES AS SHOWN AFTER FINISHING.



USE MATERIAL THICKNESS FOR MAX. RADIUS ON ALL BENDS UNLESS OTHERWISE SPECIFIED

MOUNT INSERTS AFTER FINISHING

UNLESS OTHERWISE SPECIFIED DIMENSIONS ARE IN INCHES AND INCLUDE CHEMICALLY APPLIED OR PLATED FINISHES	
DECIMALS ± .005	FRACTIONS ± 1/64
ANGLES ± 1/2°	

SYM	ZONE	DESCRIPTION	DATE	CH. NO.	DRAFTS	CHECKER	ENG. APP.
UNLESS OTHERWISE SPECIFIED: SCALE DO NOT SCALE							
DIMENSIONS ARE IN INCHES							
TOLERANCES ON FRACTIONS ± 1/64 DECIMALS ± .005 ANGLES ± 1/2°							
MAXIMUM ALLOWABLE TOLERANCES HAVE BEEN DETERMINED AND ANY DEVIATIONS WILL BE CAUSE FOR REJECTION. REMOVE ALL BURRS & SHARP EDGES							

1	HFA-1	AUDIO DECK		7-26-62
REQ. PER UNIT	MODEL	SECTION	ASS'Y. NO.	DATE
USED ON				

6	1	NT-129 10-32-4	NUT, ROUND, SWAGE TYPE	E
REQ. ITEM	PART NO.	DESCRIPTION		SYMBOL
.081		THE TECHNICAL MATERIEL CORP. MAMARONECK, NEW YORK		
ALUMINUM		PLATE, CHASSIS MOUNTING LEFT SIDE		
MATERIAL				
5052-H32		HEAT TREAT. SPEC.	DRAWN: H.A. CHECKED: B.P. FINAL APPROVAL: G.R.F.	
S404 YEL IRIDITE		FINISH & SPEC. NO.	MS-2822	
ELEC. DES. APP.			MECH. DES. APP.	SHEET OF

MS-2822