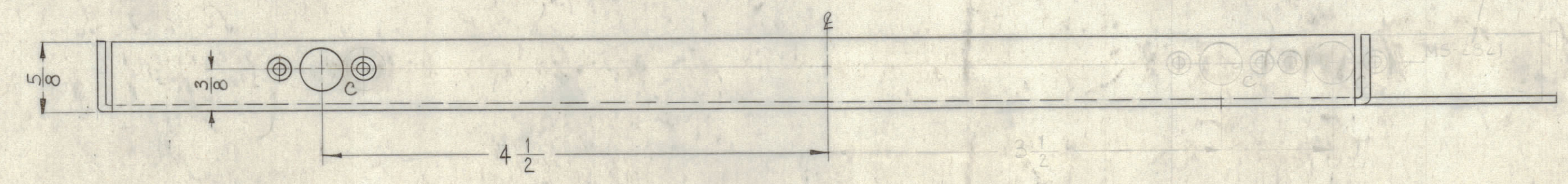
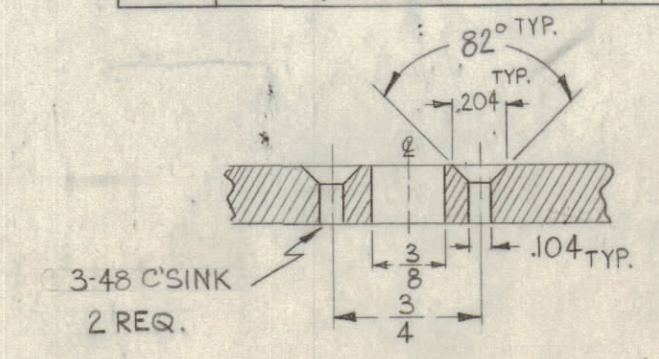


NOTICE TO PERSONS RECEIVING THIS DRAWING
 THE TECHNICAL MATERIEL CORPORATION claims proprietary right in the material disclosed herein. This drawing is issued in confidence for engineering information only and may not be reproduced or used to manufacture anything shown herein without permission from THE TECHNICAL MATERIEL CORPORATION to the user. This drawing is loaned for mutual assistance and is subject to recall at any time.

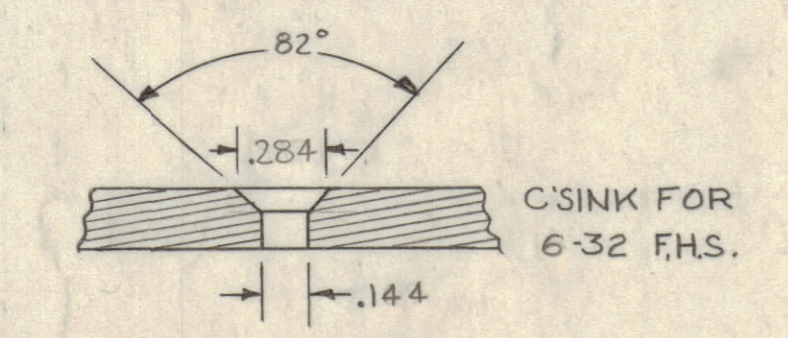
Property of:
 THE TECHNICAL MATERIEL CORPORATION
 MAMARONECK, NEW YORK



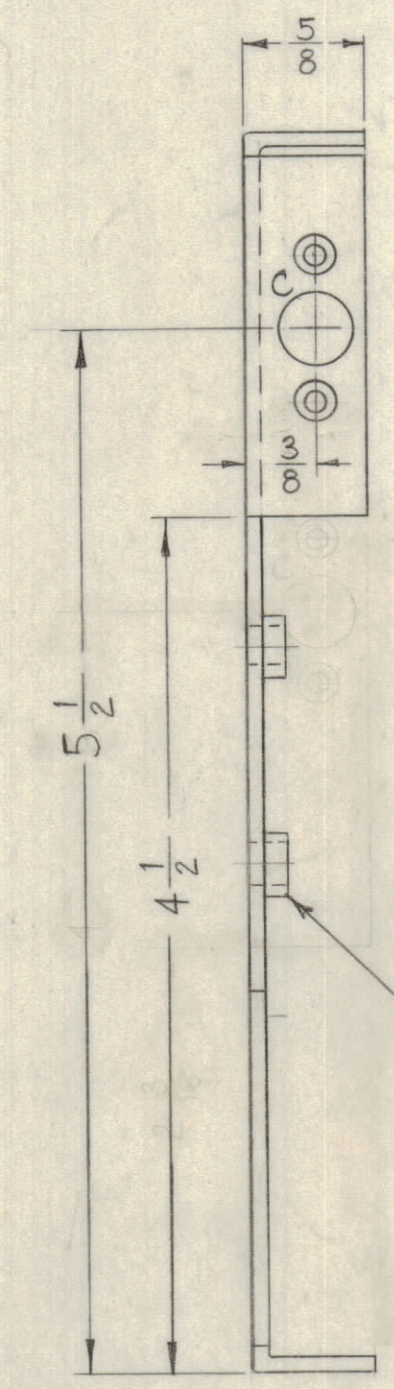
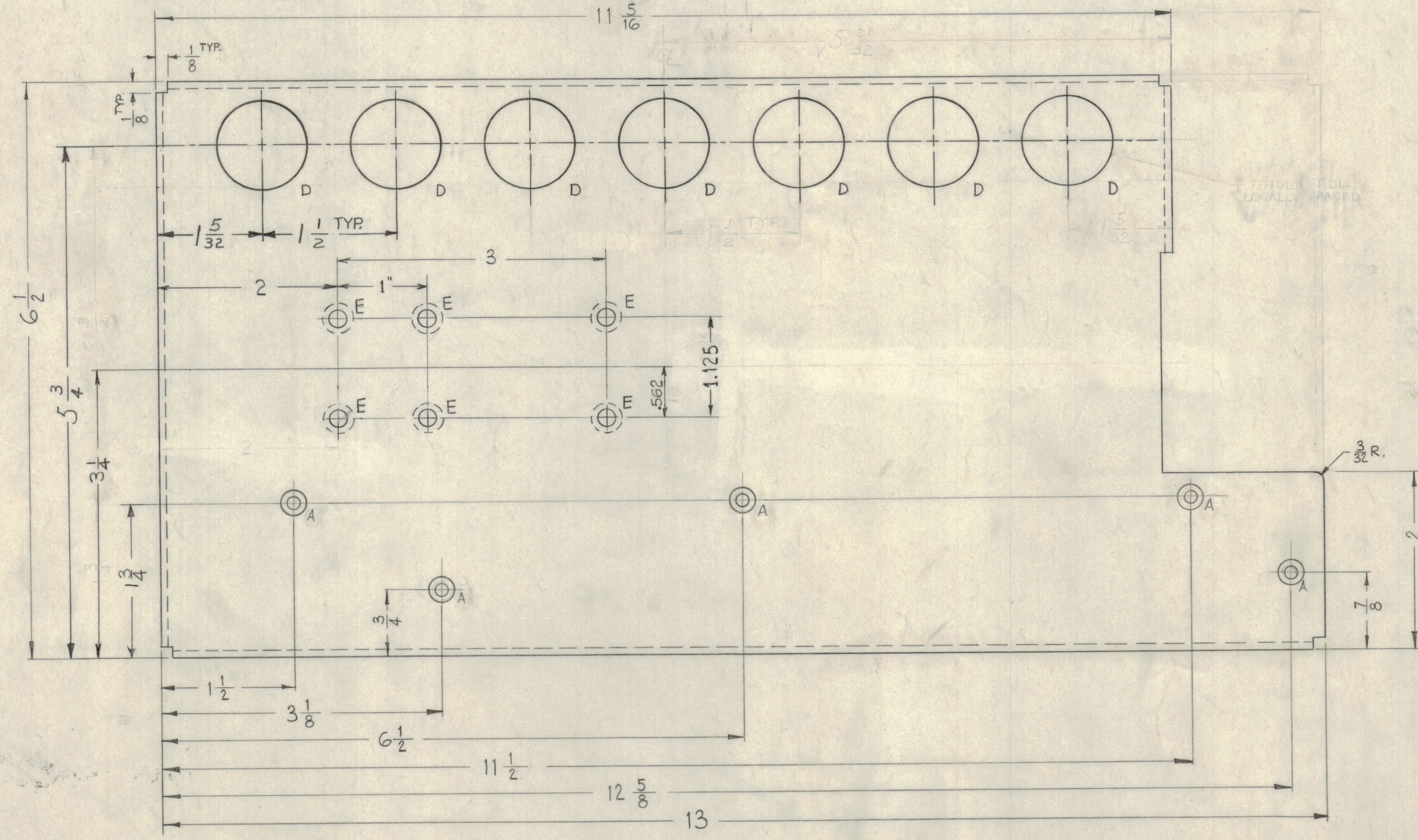
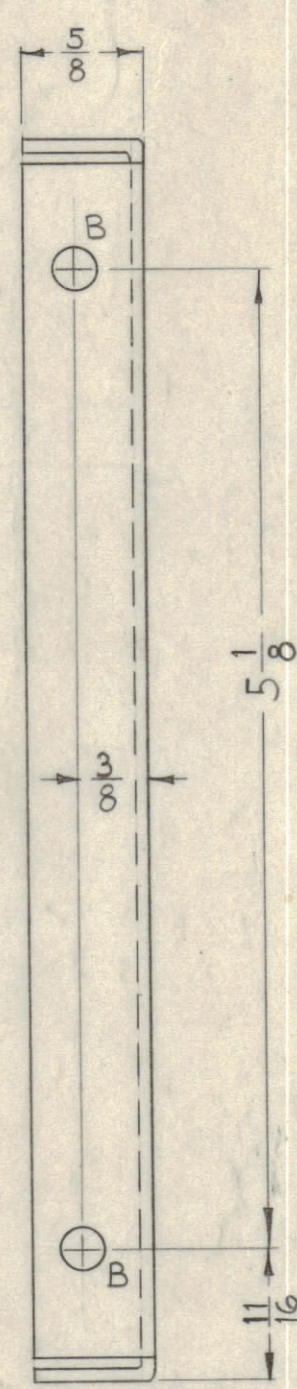
LEGEND		
HOLE	DESCRIPTION	REQ.
A	SEE DETAIL	5
B	7/32 DIA.	2
C	SEE DETAIL	4
D	1" DIA.	7
E	.250-.253 DIA.	6



"C" DETAIL
4 REQ



"A" DETAIL
5 REQ



1 MOUNT ITEM 1 IN ALL "E" HOLES AS SHOWN AFTER FINISHING

USE MATERIAL THICKNESS FOR MAX. RADIUS ON ALL BENDS UNLESS OTHERWISE SPECIFIED

MOUNT INSERTS AFTER FINISHING

METAL STAMP TMC PART NO. 1/8 HIGH GOTHIC AS SHOWN.

UNLESS OTHERWISE SPECIFIED DIMENSIONS ARE IN INCHES AND INCLUDE CHEMICALLY APPLIED OR PLATED FINISHES	
DECIMALS .005	FRACTIONS 1/64
ANGLES ± 30'	

SYM	ZONE	DESCRIPTION	DATE	CH. NO.	DRAFTS	CHECKER	ENG. APP.
UNLESS OTHERWISE SPECIFIED: SCALE DO NOT SCALE							
DIMENSIONS ARE IN INCHES TOLERANCES ON FRACTIONS ± 1/64 DECIMALS ± .005 ANGLES ± 1/2°							
MAXIMUM ALLOWABLE TOLERANCES HAVE BEEN DETERMINED AND ANY DEVIATIONS WILL BE CAUSE FOR REJECTION. REMOVE ALL BURRS & SHARP EDGES							

6	1	NT-128 10-32-4	NUT, ROUND, SWAGE TYPE	
REQ. ITEM	PART NO.	DESCRIPTION		SYMBOL
	.081	- THE TECHNICAL MATERIEL CORP. MAMARONECK, NEW YORK		
	ALUMINUM	PLATE, CHASSIS MOUNTING RIGHT SIDE		
	5052-H32	TYPE & TEMPER	HEAT TREAT. SPEC.	
	S404 YEL. IRIDITE	FINISH & SPEC. NO.	ELEC. DES. APP.	MECH. DES. APP.
1	HFA-1	AUDIO DECK	7-26-62	
REQ. PER UNIT	MODEL	SECTION	ASS'Y. NO.	DATE

MS-2821