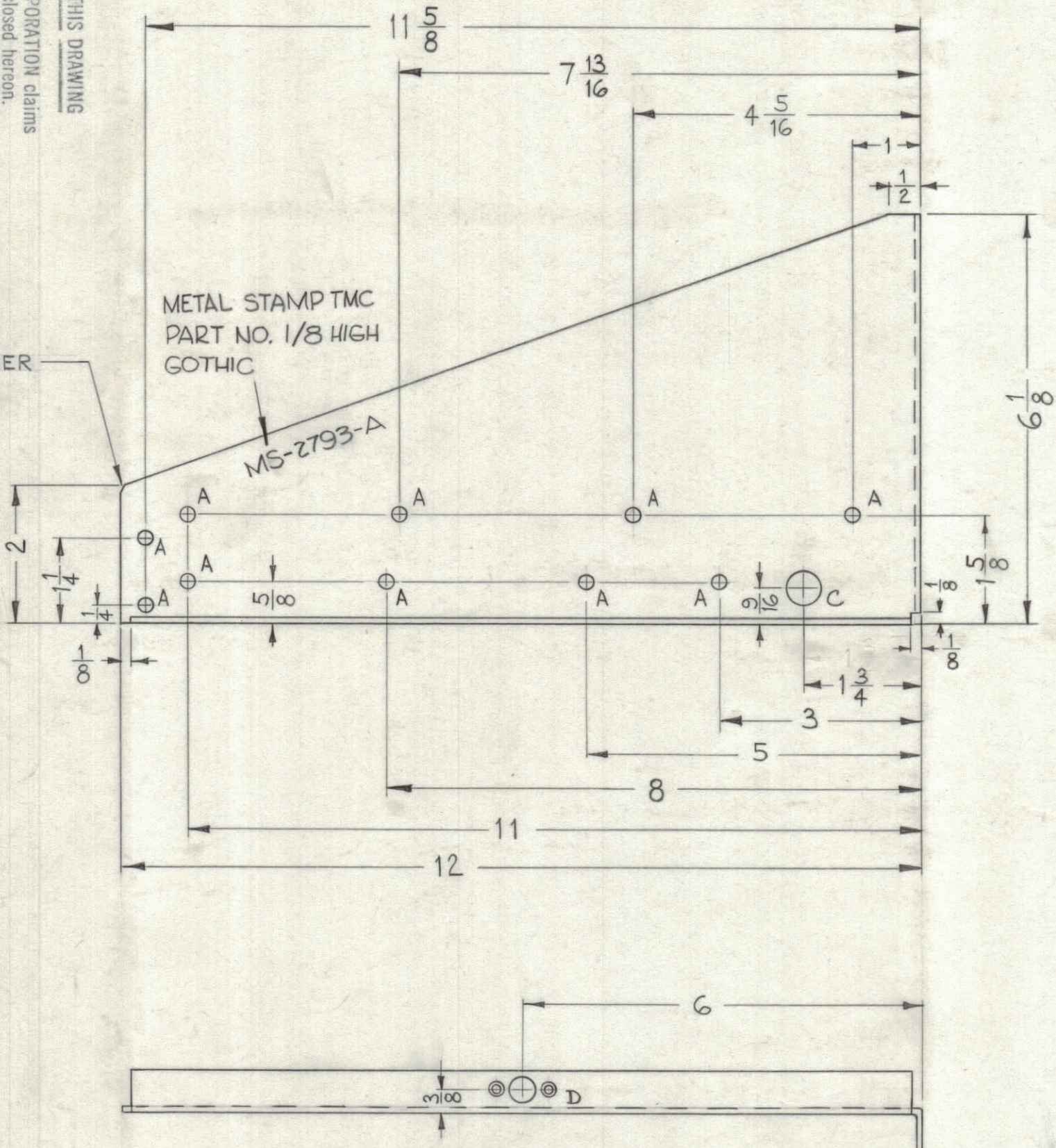
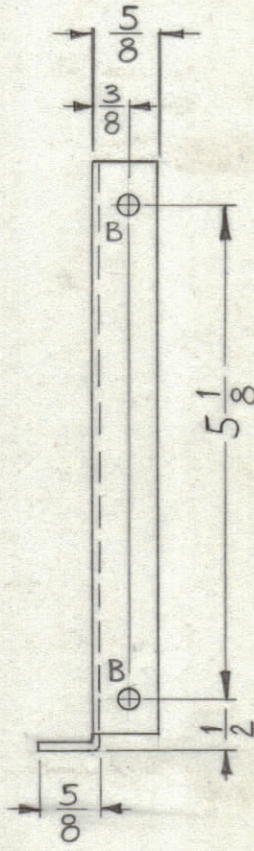
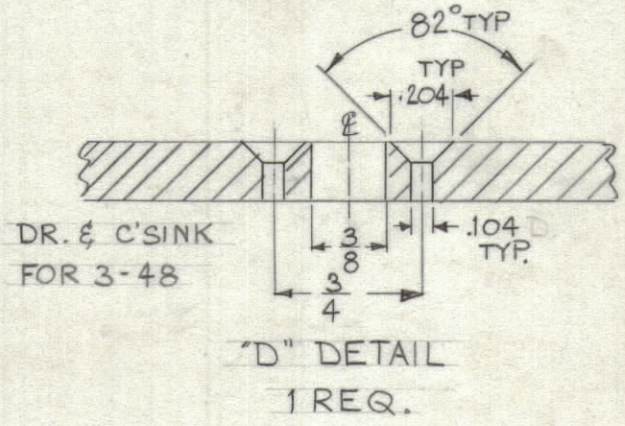


LEGEND		
HOLE	DESCRIPTION	REQ
A	13/64 DIA.	10
B	7/32 DIA.	2
C	1/2 DIA.	1



NOTICE TO PERSONS RECEIVING THIS DRAWING

THE TECHNICAL MATERIEL CORPORATION claims proprietary right in the material disclosed herein. This drawing is issued in confidence for engineering information only and may not be reproduced or used to manufacture anything shown herein without permission from THE TECHNICAL MATERIEL CORPORATION to the user. This drawing is loaned for mutual assistance and is subject to recall at any time.

Property of:
THE TECHNICAL MATERIEL CORPORATION
MAMARONECK, NEW YORK

USE MATERIAL THICKNESS FOR MAX. RADIUS ON ALL BENDS UNLESS OTHERWISE SPECIFIED

UNLESS OTHERWISE SPECIFIED DIMENSIONS ARE IN INCHES AND INCLUDE CHEMICALLY APPLIED OR PLATED FINISHES

TOLERANCES

DECIMALS	FRACTIONS
.X ± .05	± 1/64
.XX ± .01	± 1/32
.XXX ± .005	± 0° 30'

CUT HERE GUARANTEED 20%

SYM	ZONE	DESCRIPTION	DATE	CH. NO.	DRAFTS	CHECKER	ENG. APP.
A	C5,6	BOTTOM VIEW OF PICTORIAL CLARIFIED	5-25-62	6754	EE	<i>[Signature]</i>	<i>[Signature]</i>

UNLESS OTHERWISE SPECIFIED:
DIMENSIONS ARE IN INCHES
TOLERANCES ON
FRACTIONS ± 1/64 DECIMALS ± .005 ANGLES ± 1/2°

SCALE HALF (DO NOT SCALE).

MAXIMUM ALLOWABLE TOLERANCES HAVE BEEN DETERMINED AND ANY DEVIATIONS WILL BE CAUSE FOR REJECTION. REMOVE ALL BURRS & SHARP EDGES

REQ. PER UNIT	MODEL	SECTION	ASS'Y. NO.	DATE
1	LFA-2			12-19-61

USED ON

REQ. ITEM	PART NO.	DESCRIPTION	SYMBOL
	.064	THE TECHNICAL MATERIEL CORP. MAMARONECK, NEW YORK	
	ALUMINUM	BRACKET, CENTER	
	5052-H32		
	S404 YEL IRIDITE		

<i>[Signature]</i>	<i>[Signature]</i>	<i>[Signature]</i>
DRAWN	CHECKED	FINAL APPROVAL
<i>[Signature]</i>	<i>[Signature]</i>	MS-2793
ELEC. DES. APP.	MECH. DES. APP.	SHEET OF