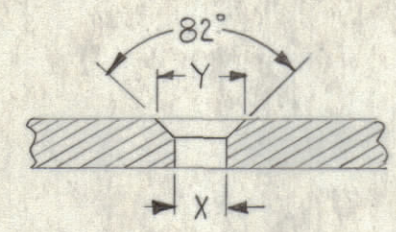


LEGEND		
HOLE	DESCRIPTION	REQ.
A	13/64 DIA.	5
B	15/64 DIA.	3

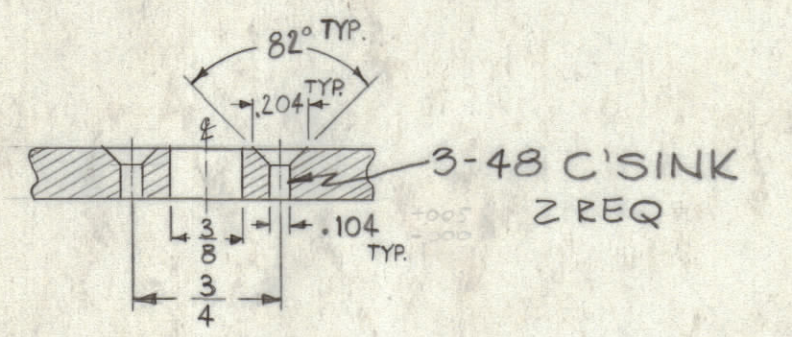
NOTICE TO PERSONS RECEIVING THIS DRAWING  
 THE TECHNICAL MATERIEL CORPORATION claims proprietary right in the material disclosed herein. This drawing is issued in confidence for engineering information only and may not be reproduced or used to manufacture anything shown hereon without permission from THE TECHNICAL MATERIEL CORPORATION to the user. This drawing is loaned for mutual assistance and is subject to recall at any time.



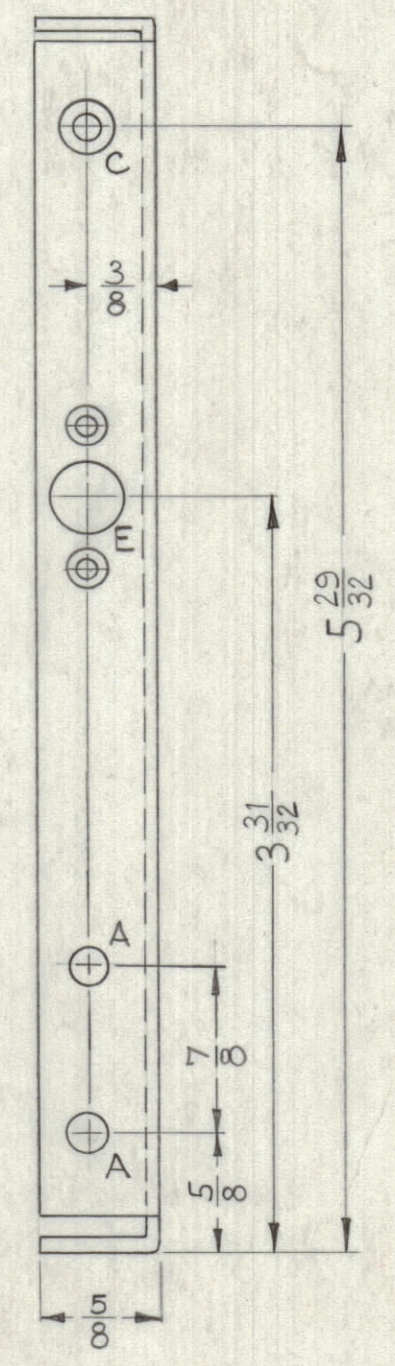
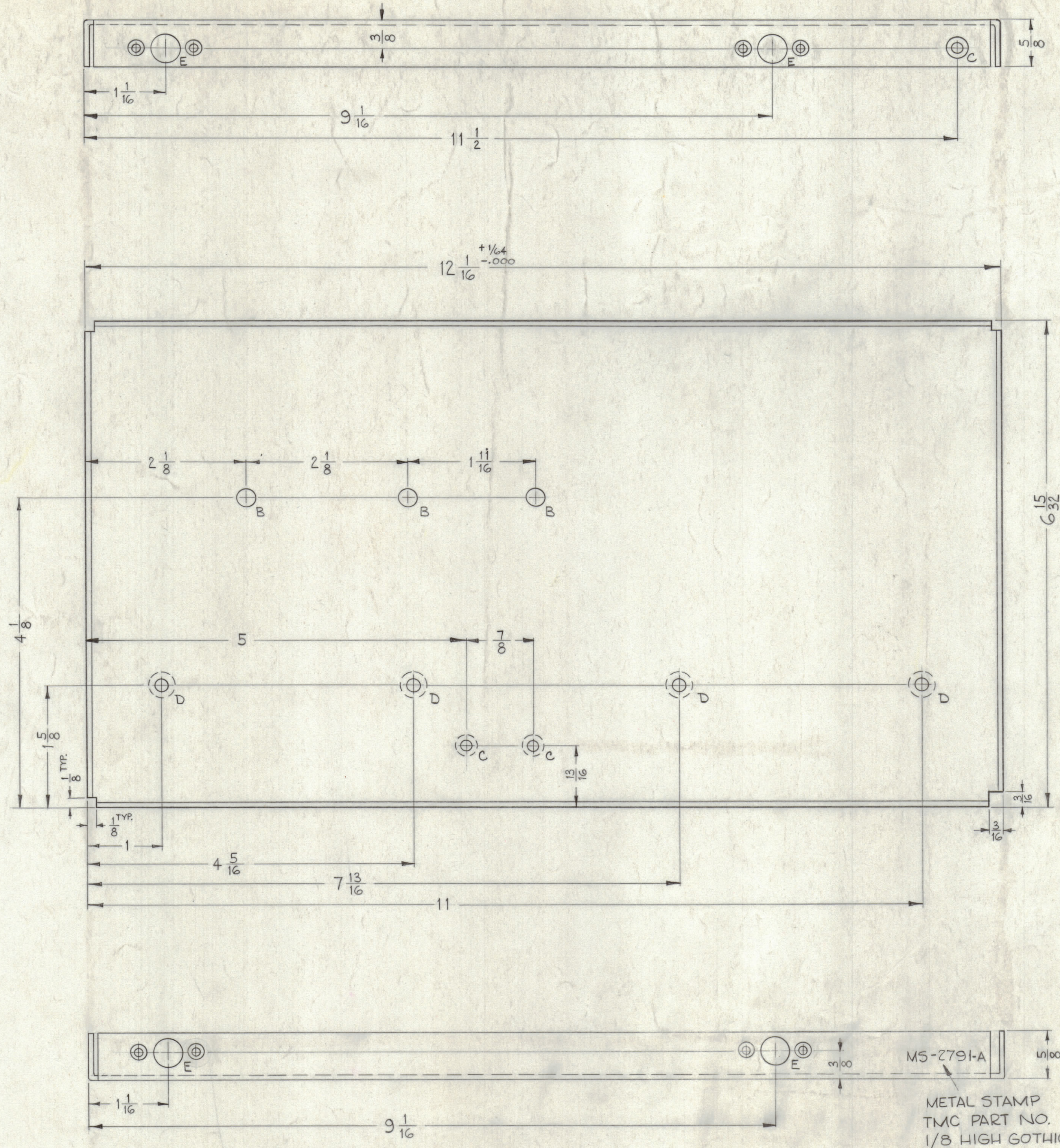
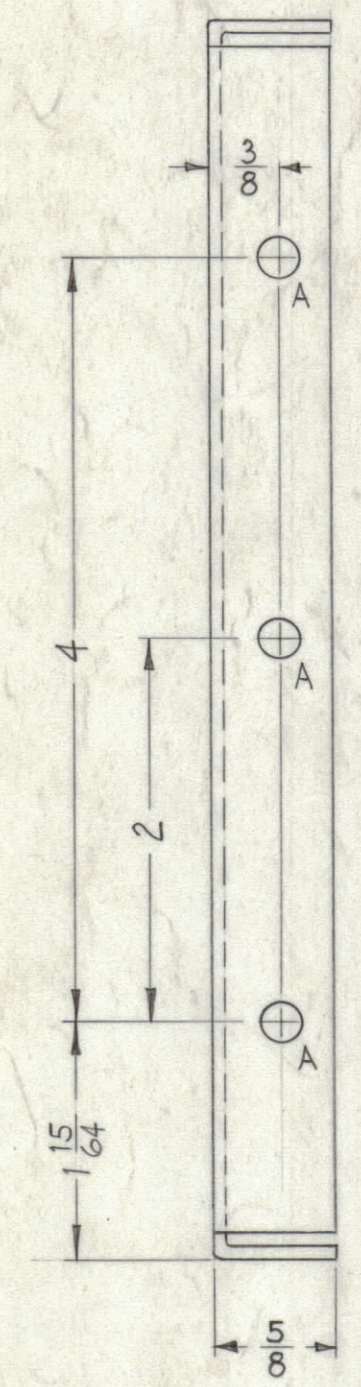
HOLE	SCREW TYPE	DIM.		REQ.
		X	Y	
C	6-32	.144	.284	4
D	8-32	.169	.337	4

Property of:  
 THE TECHNICAL MATERIEL CORPORATION  
 MAMARONECK, NEW YORK

C'SINK DETAIL



E' DETAIL  
 5 REQ.



USE MATERIAL THICKNESS FOR MAX. RADIUS  
 ON ALL BENDS UNLESS OTHERWISE SPECIFIED

MS-2791

SYM	ZONE	DESCRIPTION	DATE	CH. NO.	DRAFTS	CHECKER	ENG. APP.
A	D4	1(A)HOLE ADDED	5-25-62	6754	BB		

UNLESS OTHERWISE SPECIFIED:  
 DIMENSIONS ARE IN INCHES  
 TOLERANCES ON FRACTIONS ± 1/64 DECIMALS ± .005 ANGLES ± 1/2°

SCALE FULL (DO NOT SCALE)

UNLESS OTHERWISE SPECIFIED  
 DIMENSIONS ARE IN INCHES AND INCLUDE CHEMICALLY APPLIED OR PLATED FINISHES  
 MAXIMUM ALLOWABLE TOLERANCES HAVE BEEN DETERMINED AND ANY DEVIATIONS WILL BE CAUSE FOR REJECTION.  
 REMOVE ALL BURRS & SHARP EDGES

DECIMALS: .0005, .001, .002, .003, .004, .005  
 FRACTIONS: ± 1/64, ± 1/32, ± 1/16, ± 1/8, ± 1/4, ± 1/2, ± 3/4, ± 1

REQ. PER UNIT	MODEL	SECTION	ASS'Y. NO.	DATE	FINISH & SPEC. NO.	ELEC. DES. APP.	MECH. DES. APP.	SHEET	OF
1	LFA-2			12-21-61	5052-H32			MS-2791	A

THE TECHNICAL MATERIEL CORP.  
 MAMARONECK, NEW YORK  
 SIDEPLATE, LEFT  
 MATERIAL: ALUMINUM  
 DRAWN: RUZZO  
 CHECKED: [Signature]  
 FINAL APPROVAL: [Signature]