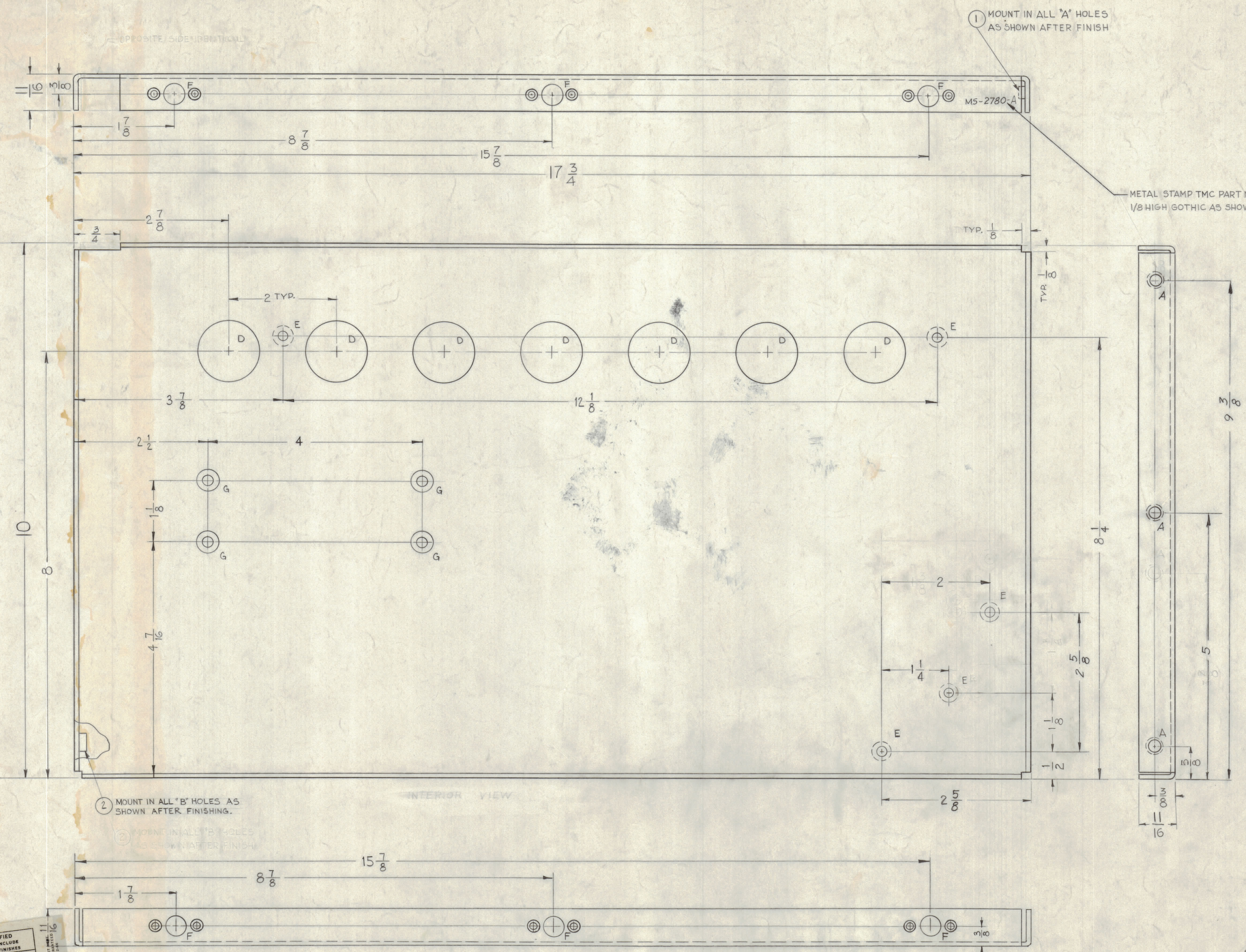
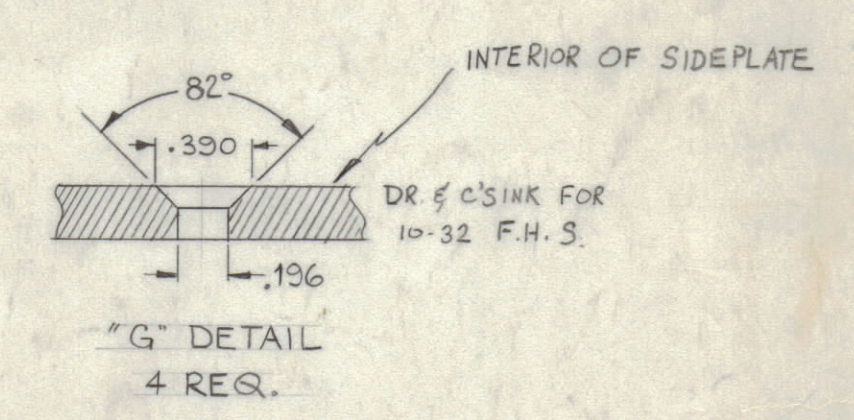
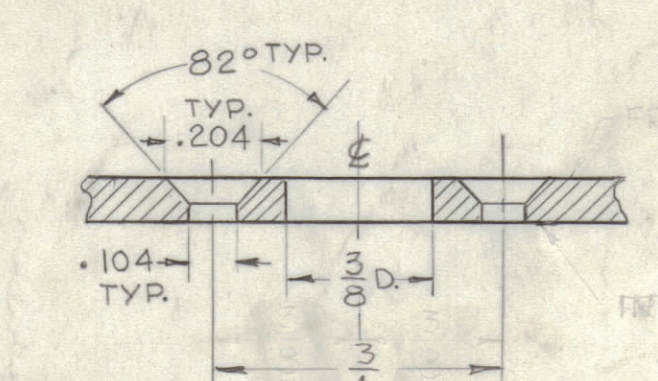
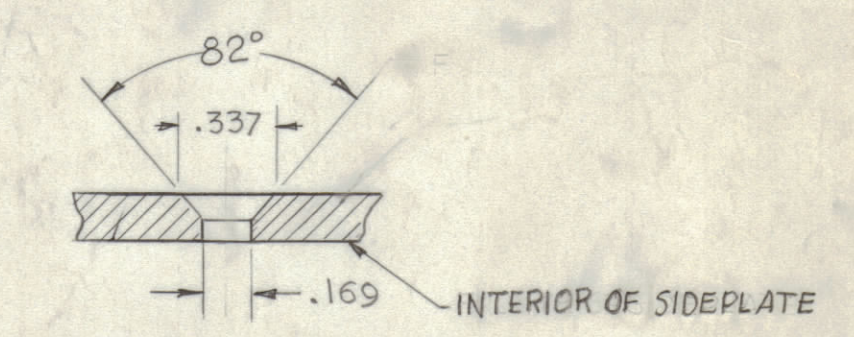


NOTICE TO PERSONS RECEIVING THIS DRAWING  
 THE TECHNICAL MATERIEL CORPORATION claims  
 proprietary right in the material disclosed hereon.  
 This drawing is issued in confidence for use in  
 information only and may not be reproduced, copied,  
 to manufacture anything shown hereon without per-  
 mission from THE TECHNICAL MATERIEL CORPORA-  
 TION to the user. This drawing is loaned for mutual  
 assistance and is subject to recall at any time.  
 Property of:  
 THE TECHNICAL MATERIEL CORPORATION  
 MAMARONECK, NEW YORK



LEGEND		
HOLE	DESCRIPTION	REQ.
A	.221 - .224 DIA.	3
B	.250 - .253 DIA.	1
C	13/64 DIA.	2
D	1 1/8 DIA.	7



UNLESS OTHERWISE SPECIFIED  
 DIMENSIONS ARE IN INCHES AND INCLUDE  
 CHEMICALLY APPLIED OR PLATED FINISHES  
 DECIMALS ± .005 FRACTIONS ± 1/64 ANGLES ± 30'

BYM	ZONE	DESCRIPTION	DATE	CH. NO.	DRAFTS	CHECKER	ENG. APP.
AZ		ITEM (1) WAS 2 REQ.; ITEM (2) WAS 3 REQ.	11-29-62	7762			

UNLESS OTHERWISE SPECIFIED: SCALE DO NOT SCALE

DIMENSIONS ARE IN INCHES

TOLERANCES ON FRACTIONS ± 1/64 DECIMALS ± .005 ANGLES ± 1/2°

MAXIMUM ALLOWABLE TOLERANCES HAVE BEEN DETERMINED AND ANY DEVIATIONS WILL BE CAUSE FOR REJECTION. REMOVE ALL BURRS & SHARP EDGES

REQ. PER UNIT	MODEL	SECTION	ASSY. NO.	DATE	TYPE & TEMPER	HEAT TREAT. SPEC.	FINISH & SPEC. NO.	ELEC. DES. APP.	MECH. DES. APP.	SHEET OF
1	HFS-1			8-15-62	5052-H32		6404 YELLOW IRIDITE			MS-2780

1	2	NT-129-1032-4	NUT, ROUND, SWAGE TYPE	B
3	1	NT-129-832-4	NUT ROUND, SWAGE TYPE	A
REQ. ITEM	PART NO.	J. STRUMER DESCRIPTION		SYMBOL
.021		THE TECHNICAL MATERIEL CORP. MAMARONECK, NEW YORK		
STOCK SIZE		ALUMINUM		
MATERIAL		PLATE, CHASSIS MOUNTING LEFT SIDE		
G.D.L.		DRAWN CHECKED FINAL APPROVAL		
5052-H32		MS-2780		
TYPE & TEMPER		FINISH & SPEC. NO.		
6404 YELLOW IRIDITE		ELEC. DES. APP. MECH. DES. APP. SHEET OF		

MS-2780