

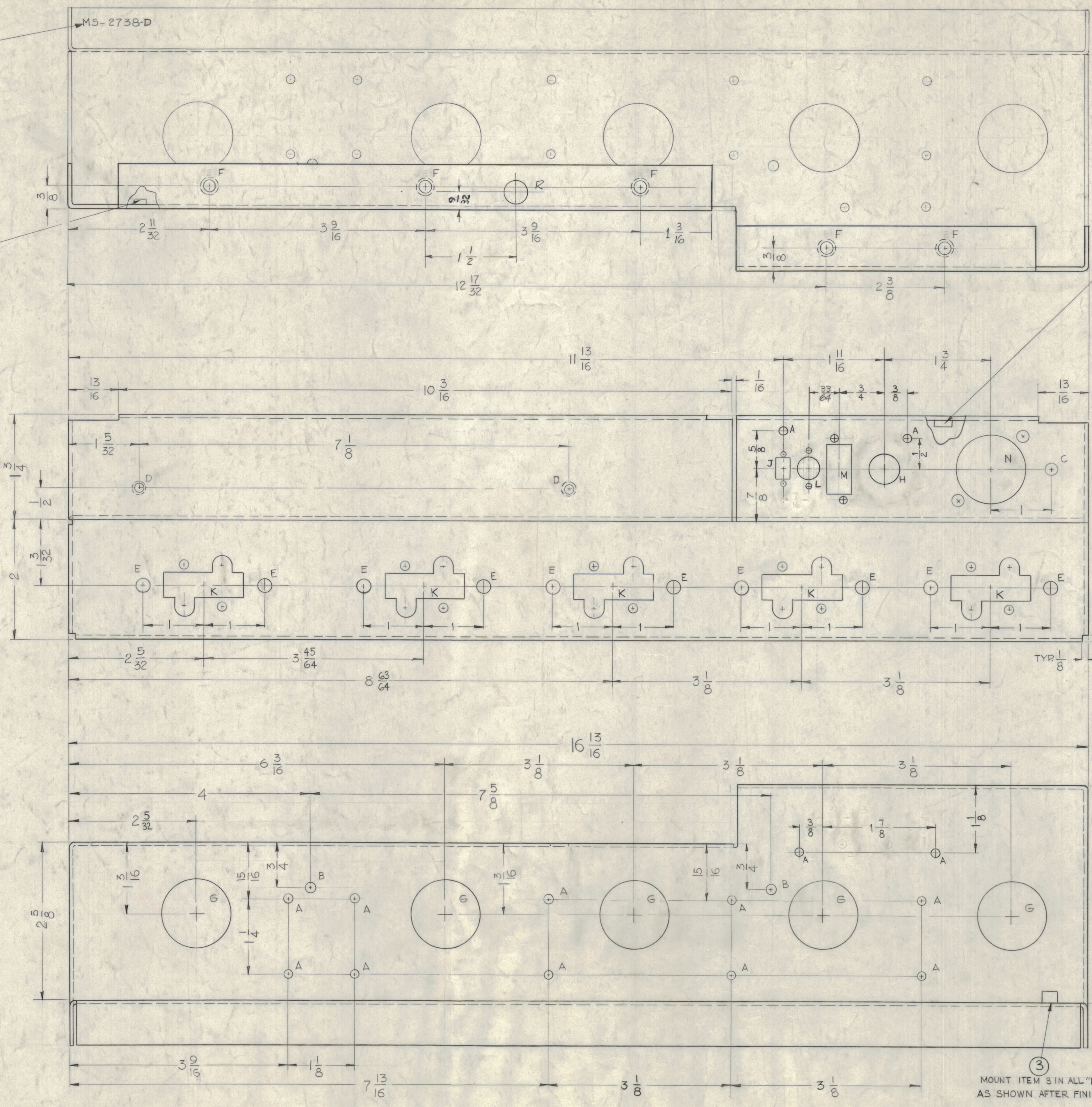
METAL STAMP TMC PART NO. M5-2738-D  
1/8 HIGH GOTHIC AS SHOWN

**NOTICE TO PERSONS RECEIVING THIS DRAWING**  
THE TECHNICAL MATERIEL CORPORATION claims proprietary right in the material disclosed herein. This drawing is issued in confidence for engineering information only and may not be reproduced or used to manufacture anything shown herein without permission from THE TECHNICAL MATERIEL CORPORATION to the user. This drawing is loaned for mutual assistance and is subject to recall at any time.

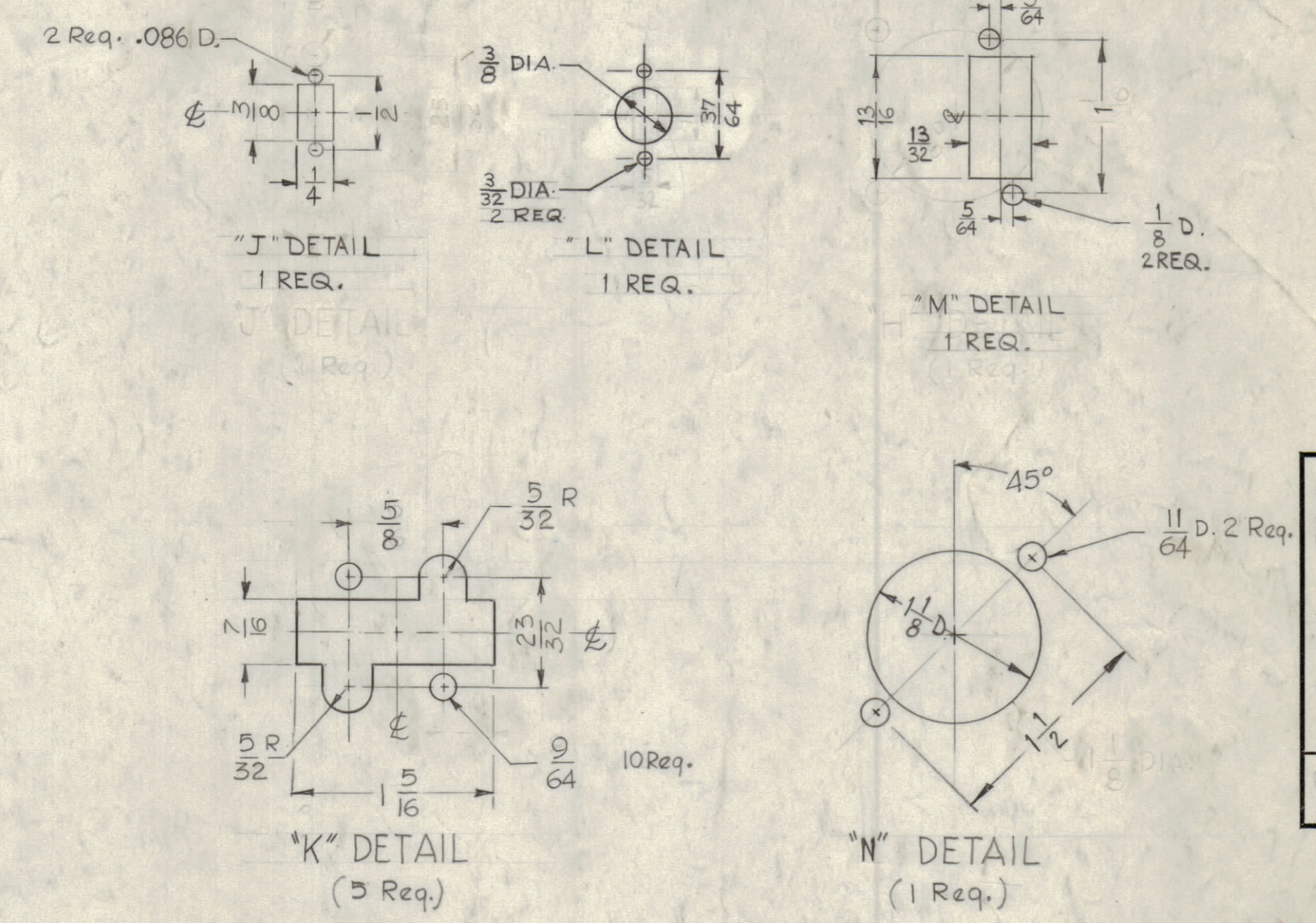
Property of:  
THE TECHNICAL MATERIEL CORPORATION  
MAMARONECK, NEW YORK

MOUNT IN ALL "D" HOLES AS SHOWN AFTER FINISH

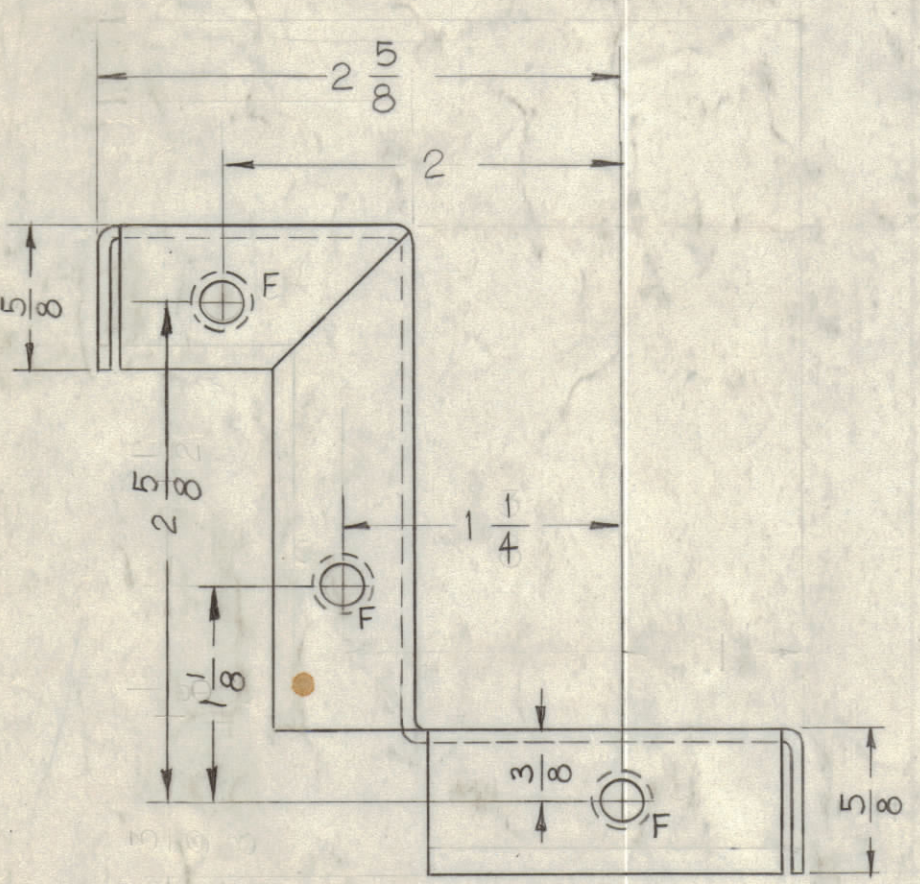
LEGEND		
HOLE	DESCRIPTION	REQ.
A	9/64 DIA.	14
B	11/64 DIA.	2
C	3/16 DIA.	1
D	.191 - .194 DIA.	2
E	15/64 DIA.	10
F	.221 - .224 DIA.	12
G	1/8 DIA.	5
H	1/2 DIA.	1
K	3/8 DIA.	1



MOUNT IN ALL "F" HOLES AS SHOWN AFTER FINISH



MS-2738 D



MOUNT ITEM 3 IN ALL "E" HOLES AS SHOWN AFTER FINISHING.

USE MATERIAL THICKNESS FOR MAX. RADIUS ON ALL BENDS UNLESS OTHERWISE SPECIFIED

REQ.	ITEM	PART NO.	J. STRUMMER	DESCRIPTION	SYMBOL
10	3	TE-184-2		TERMINAL, STAND-OFF	E
12	2	NT-129-832-4		NUT ROUND, SWAGE TYPE	F
2	1	NT-129-632-4		NUT ROUND, SWAGE TYPE	D

MATERIAL		THE TECHNICAL MATERIEL CORP.	
STOCK SIZE	ALUMINUM	MAMARONECK, NEW YORK	
.064		PANEL, POWER FILTER	
MATERIAL		HFS-1	
5052-H32		GDL	JLW
TYPE & TEMPER		HEAT TREAT. SPEC.	
S404 YELLOW IRIDITE		MS-2738	
FINISH & SPEC. NO.		ELEC. DES. APP. MECH. DES. APP. SHEET OF	

SYM	ZONE	DESCRIPTION	DATE	CH. NO.	DRAFTS	CHECKER	ENG. APP.
D	E5	"L" DETAIL WAS 5/32 x 11/32 SLOT	6/3/64	11485	A.M.		
C		7/16 DIM. DELE. 33/64 ADDED	1/7/63	10329	W.M.		
B	G2	"E" HOLE WAS .221 DIA.	5-1-63	8931			
A	A2	ITEM (1) WAS NT-129-632, ITEM (2) WAS NT-129-832	11-14-62	7267			

UNLESS OTHERWISE SPECIFIED:		SCALE DO NOT SCALE	
DIMENSIONS ARE IN INCHES		MAXIMUM ALLOWABLE TOLERANCES HAVE BEEN DETERMINED AND ANY DEVIATIONS WILL BE CAUSE FOR REJECTION. REMOVE ALL BURRS & SHARP EDGES	
TOLERANCES ON FRACTIONS ± 1/64	DECIMALS ± .005	ANGLES ± 1/2°	