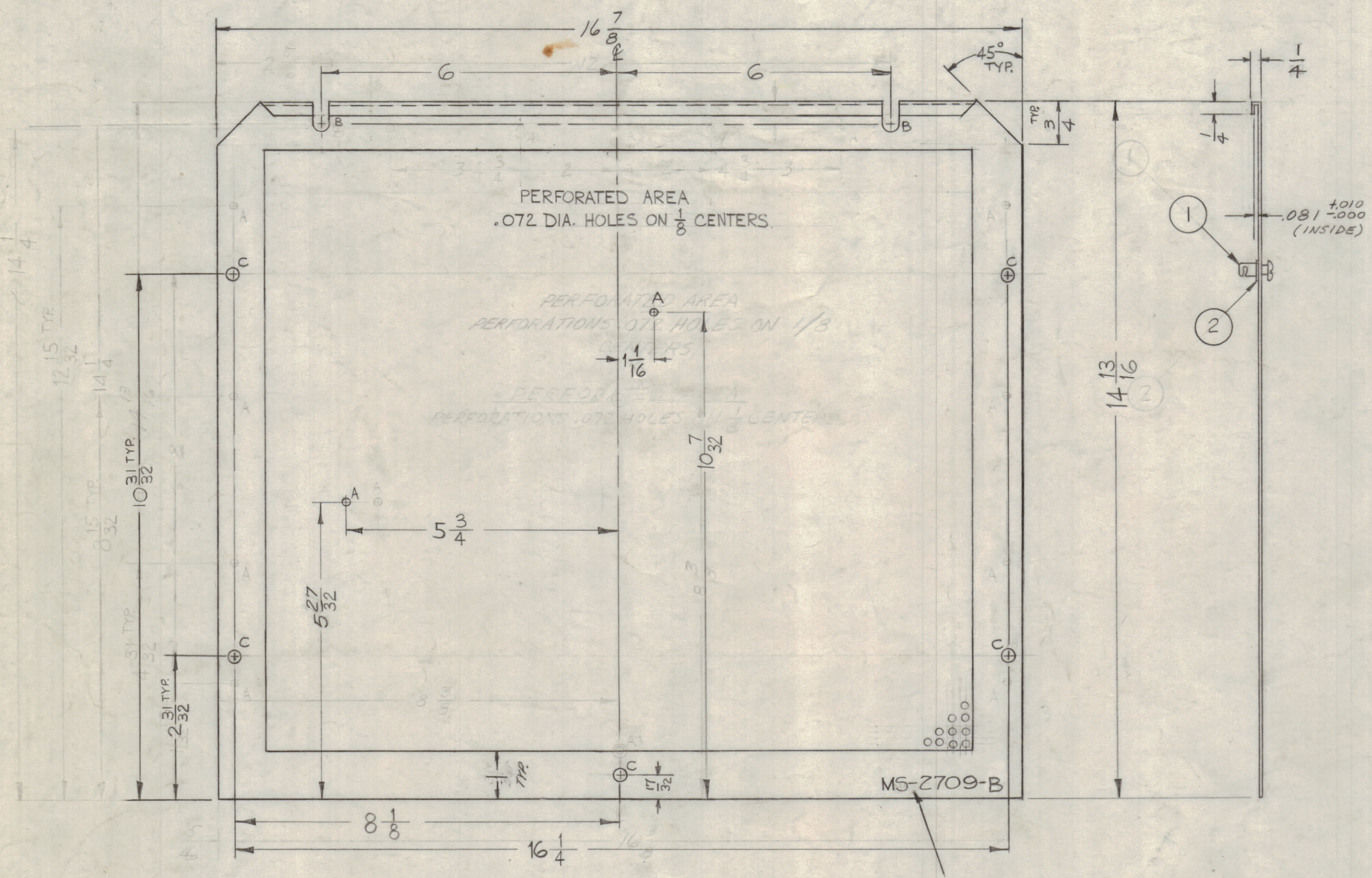
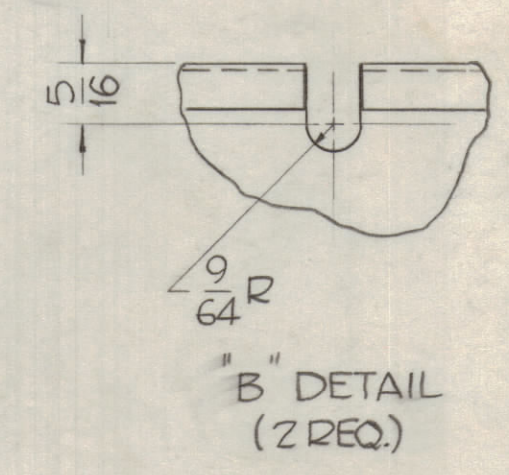


NOTICE TO PERSONS RECEIVING THIS DRAWING

THE TECHNICAL MATERIEL CORPORATION claims proprietary right in the material disclosed hereon. This drawing is issued in confidence for engineering information only and may not be reproduced or used to manufacture anything shown hereon without permission from THE TECHNICAL MATERIEL CORPORATION to the user. This drawing is loaned for mutual assistance and is subject to recall at any time.

Property of:
THE TECHNICAL MATERIEL CORPORATION
MAMARONECK, NEW YORK

LEGEND		
HOLE	DESCRIPTION	REQ.
A	5/32 DIA.	2
B	SEE DETAIL	2
C	1/4 DIA.	5



METAL STAMP TMC PART NO. 1/8 HIGH GOTHIC.

USE MATERIAL THICKNESS FOR MAX. RADIUS ON ALL BENDS UNLESS OTHERWISE SPECIFIED

MOUNT INSERTS AFTER FINISHING

REF. BLANK SIZE, TMC DWG, MS-1775, -20

UNLESS OTHERWISE SPECIFIED DIMENSIONS ARE IN INCHES AND INCLUDE CHEMICALLY APPLIED OR PLATED FINISHES

DECIMALS	FRACTIONS
.X ± .05	± 1/64
.XX ± .01	ANGLES ± 30°
.XXX ± .005	

TOLERANCES

CUT HERE GUARANTEED 2-66

5	2	FS-109-3	RING, STUD RETAINING	
5	1	FS-110-1	STUD, SLOTTED HEAD	
REQ. ITEM	PART NO.		DESCRIPTION	SYMBOL
.051 THICK				
STOCK SIZE				
ALUMINUM				
MATERIAL				
5052-H32		THE TECHNICAL MATERIEL CORP. MAMARONECK, NEW YORK		
TYPE & TEMPER		COVER, BOTTOM		
HEAT TREAT. SPEC.		a.B	RUZZO	CPM
S404-YEL. IRIDITE		DRAWN	CHECKED	FINAL APPROVAL
FINISH & SPEC. NO.		MS-2709 B		
ELEC. DES. APP.		MECH. DES. APP.		
SHEET		OF		

B	B2	BLANK SIZE REF:MS-1775-20, DELETED	4-25-63	2912				
A	4	12(A) HOLES DELETED, 5(C) HOLES ADDED	1-31-62	6281				
SYM	ZONE	DESCRIPTION	DATE	CH. NO.	DRAFTS	CHECKER	ENG. APP.	
UNLESS OTHERWISE SPECIFIED:			SCALE					
DIMENSIONS ARE IN INCHES			MAXIMUM ALLOWABLE TOLERANCES HAVE BEEN DETERMINED AND ANY DEVIATIONS WILL BE CAUSE FOR REJECTION. REMOVE ALL BURRS & SHARP EDGES					
TOLERANCES ON			A					
FRACTIONS ± 1/64			DECIMALS ± .005			ANGLES ± 1/2°		