

THE CONTENTS OF THIS DRAWING ARE THE EXCLUSIVE PROPERTY OF THE TECHNICAL MATERIEL CORP. ITS UNAUTHORIZED USE OR REPRODUCTION IN WHOLE OR IN PART IS STRICTLY FORBIDDEN.

REQ. PER UNIT

2

MODEL

TRC-20K

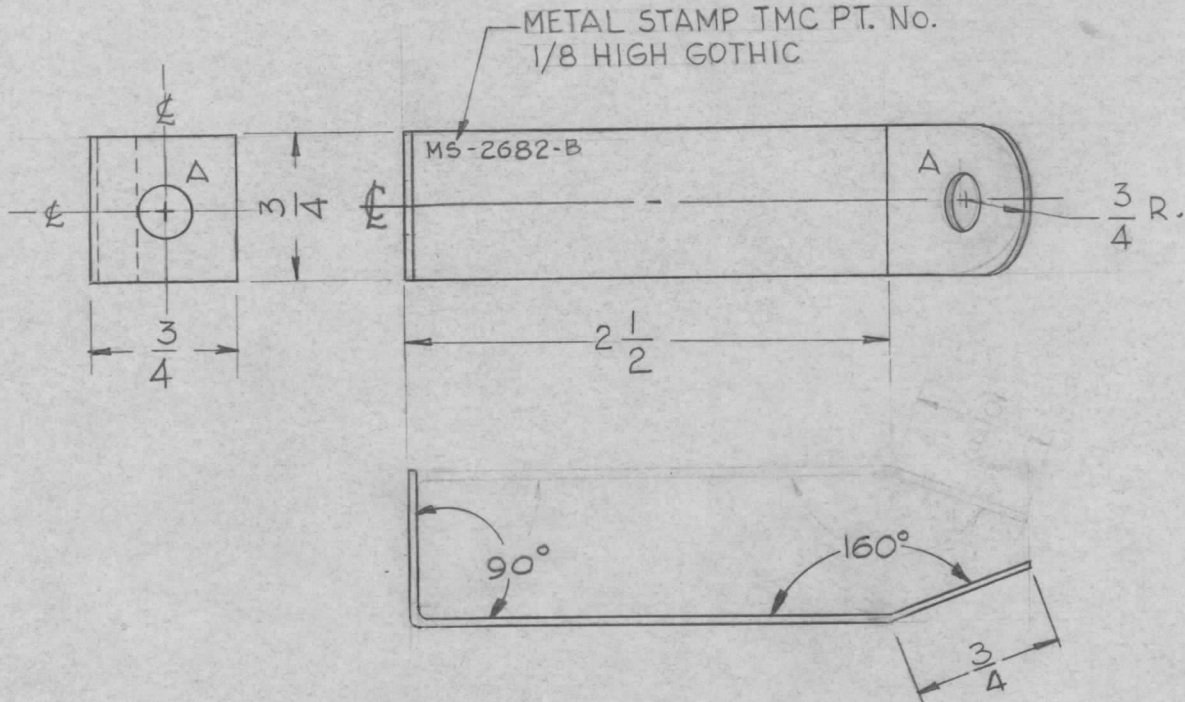
USED ON

ASS'Y. NO.

DATE

12-28-61

M5-2682 B



UNLESS OTHERWISE SPECIFIED DIMENSIONS ARE IN INCHES AND INCLUDE CHEMICALLY APPLIED OR PLATED FINISHES		
DECIMALS	TOLERANCES	FRACTIONS
.X ± .05		± 1/64
.XX ± .01		ANGLES
.XXX ± .005		± 0° 30'

CUT HERE  
GUARANTEED  
2-66

BLANK SIZE 3 15/16 x 3/4

REQ.	ITEM	PART NO.	DESCRIPTION				SYMBOL		
		.015	THE TECHNICAL MATERIEL CORP.						
		STOCK SIZE	MAMARONECK, NEW YORK						
B	2REQ. PER UNIT WAS 19	5-23-62 6717	EE	Hile	QB	STRAP, CENTER, 50Ω			
A	REDRAWN AND REVISED	12-28-61 6109	G.D.L.	QB	QB				
SYM	DESCRIPTION	DATE	CH. NO.	DRAFTS	CHECKER	ENG. APP.			
UNLESS OTHERWISE SPECIFIED: DIMENSIONS ARE IN INCHES TOLERANCES ON FRAC. ± 1/64 DEC. ± .005 ANGLES ± 1/2°		SCALE: MAXIMUM ALLOWABLE TOLERANCES HAVE BEEN DETERMINED AND ANY DEVIATIONS WILL BE CAUSE FOR REJECTION. REMOVE ALL BURRS AND SHARP EDGES		SOFT					
				TYPE & TEMPER		HEAT TREAT. SPEC.	DRAWN	CHECKED	FINAL APPROVAL
				SILVER PLATE S245			QB	MC	M5-2682 B
				FINISH & SPEC. NO.		ELEC. DES. APP.	MECH. DES. APP.		